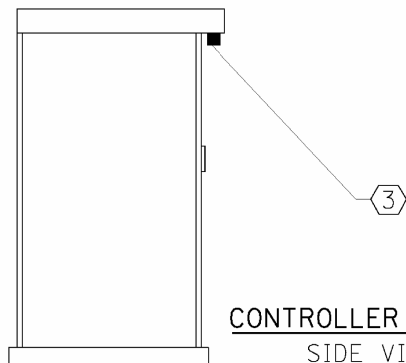


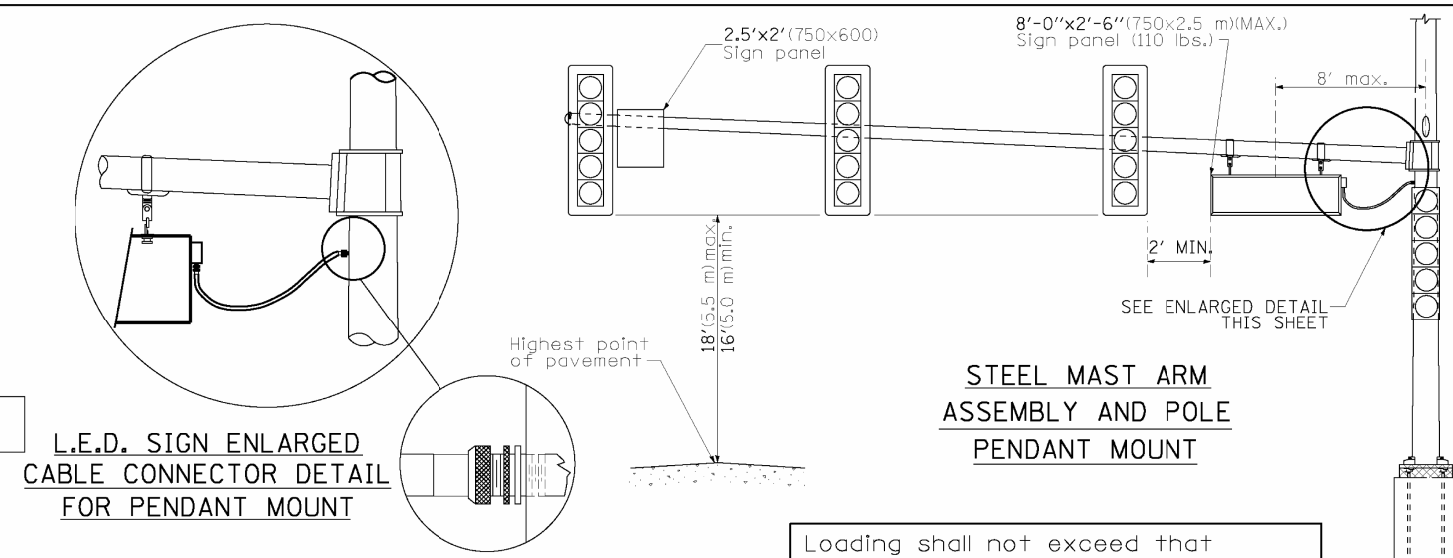
LED SIGN WIRING DETAIL

BILL OF MATERIALS

DESCRIPTION	MANUFACTURER	MODEL	NOTES
① CIRCUIT BREAKER		15 AMPERE	Molded case, Thermal Mag. min. R.I. of 14K R.M.S. symmetrical ampere at 277V.
② TERMINAL BLOCK	MARATHON	1502 DJSV	
③ PHOTO ELECTRIC CONTROL	FISHER PIERCE	B124-1.5-07762	
④ CONTROL RELAY	SQUARE D	8501X020V02	BOLT ON W/SCREW TERMINAL
⑤ INLINE FUSE HOLDER WITH 5 AMP FUSE	BUSSMAN	S-8000 BK/S-8-3-4-R	
⑥ ELECTRIC CABLE, NO. 14, 3/C (BLACK, WHITE, GREEN)	CAROLPRENE/S00W	02762	
⑦ SIGN MOUNTING HARDWARE	PELCO	Pendant (SE-5015) Direct mount (AB-0104-L-SP) Additional sign stiffeners may be required for direct mounted signs.	S.S. HARDWARE



CONTROLLER CABINET SIDE VIEW

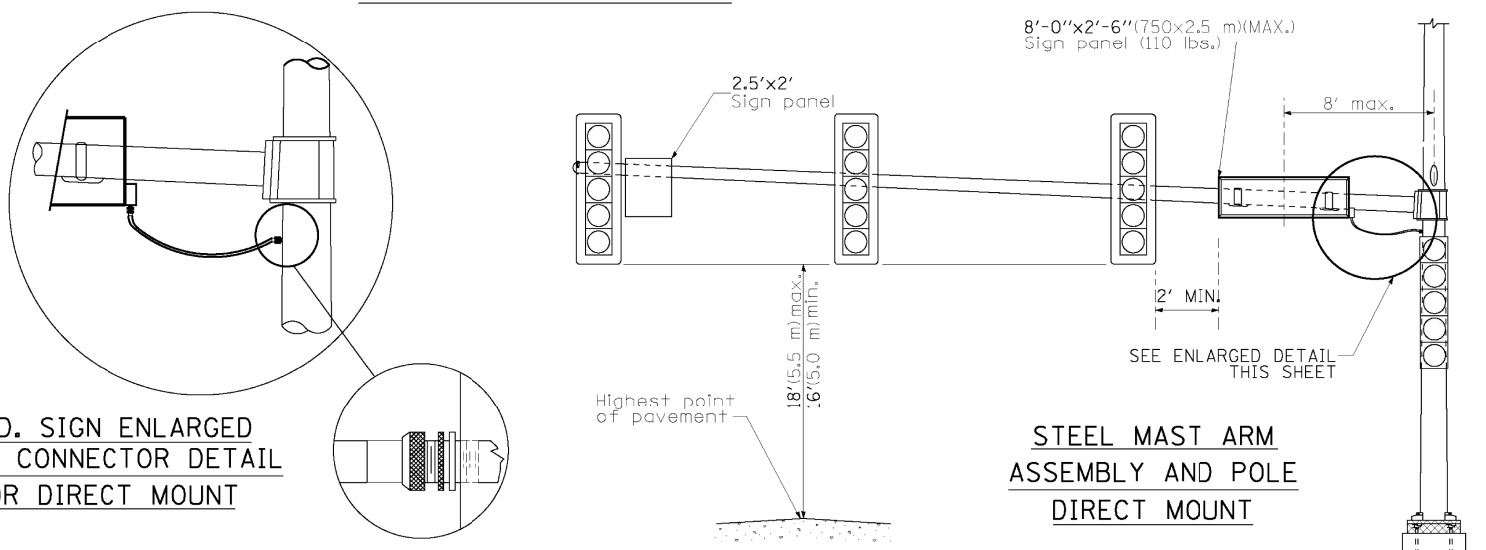


L.E.D. SIGN ENLARGED CABLE CONNECTOR DETAIL FOR PENDANT MOUNT

L.E.D. SIGN ENLARGED CABLE CONNECTOR DETAIL

STEEL MAST ARM ASSEMBLY AND POLE PENDANT MOUNT

Loading shall not exceed that shown on current Highway Standard.

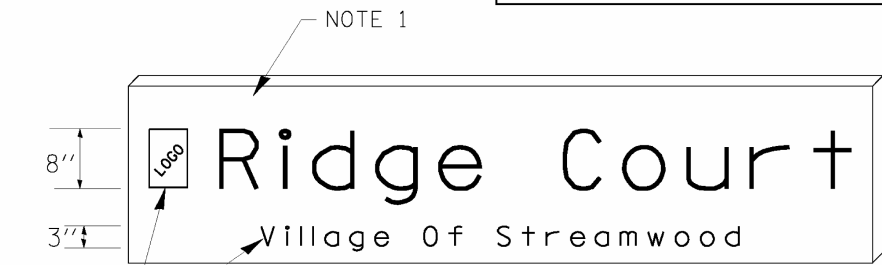


L.E.D. SIGN ENLARGED CABLE CONNECTOR DETAIL FOR DIRECT MOUNT

L.E.D. SIGN ENLARGED CABLE CONNECTOR DETAIL

STEEL MAST ARM ASSEMBLY AND POLE DIRECT MOUNT

Loading shall not exceed that shown on current Highway Standard.



LED ILLUMINATED SIGN PANEL

8'0 x 2'6" (750 mm x 2.5 mm)(MAX)  
C or D FONT

NOTES:

- SIGNS SHALL BE SINGLE SIDED FOR DIRECT MOUNT AND DOUBLE SIDED FOR PENDANT MOUNT.
- CERTAIN ADDITIONAL INFORMATION MAY BE ALLOWED ON THE SIGN. VERIFY WITH ENGINEER.
- SIGNS SHALL NOT BE ENERGIZED WHEN TRAFFIC SIGNALS ARE POWERED BY THE UPS. THE SIGNS SHALL BE CONNECTED TO THE UPS BYPASS CIRCUITRY.
- ALL WIRING WITHIN THE CABINET SHALL BE COLOR CODED AS INDICATED:  
R = RED      BL = BLUE      W = WHITE  
B = BLACK      Y = YELLOW      G = GREEN
- ALL 120 VOLT SYSTEM AND ALL CONTROL WIRING SHALL BE #14AWG STRANDED UNLESS OTHERWISE INDICATED.
- ALL WIRING SHALL BE NEATLY DRESSED AND SUPPORTED.