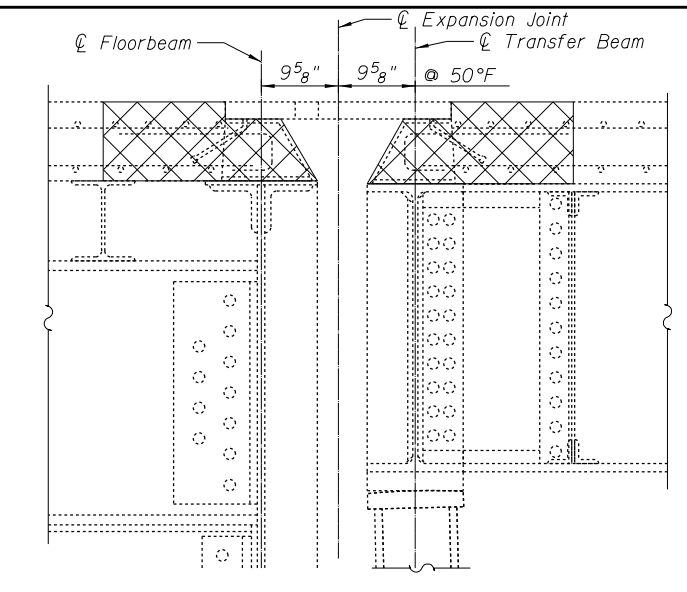
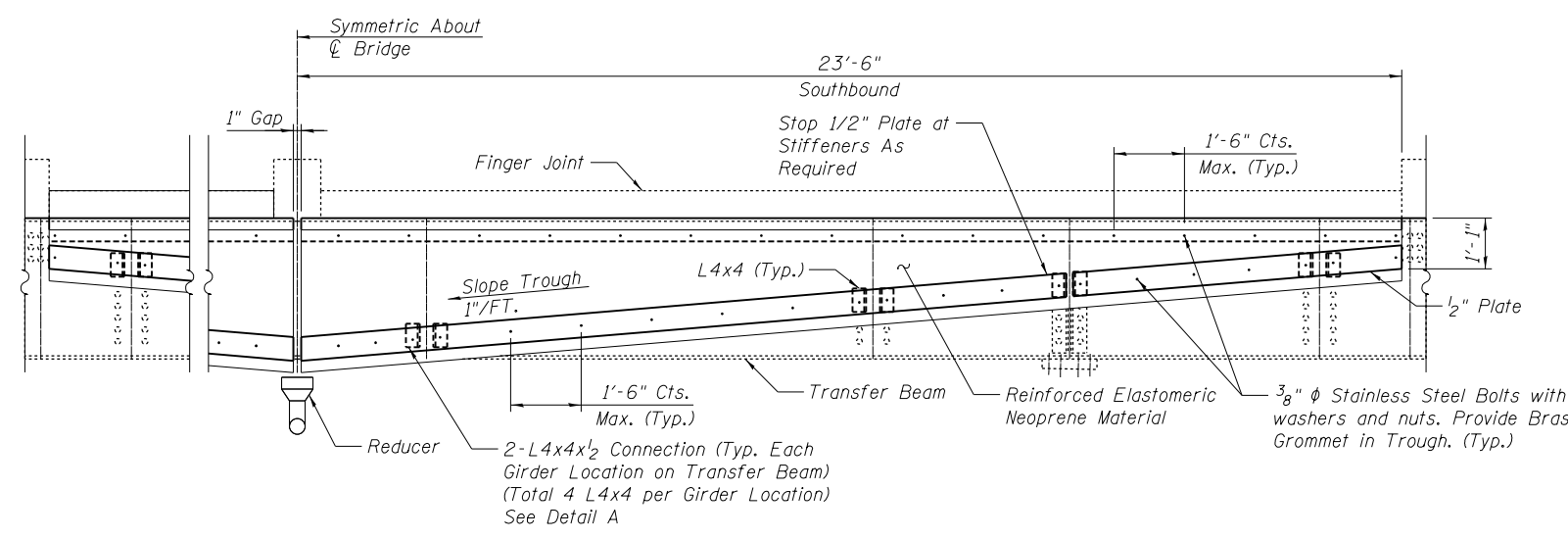


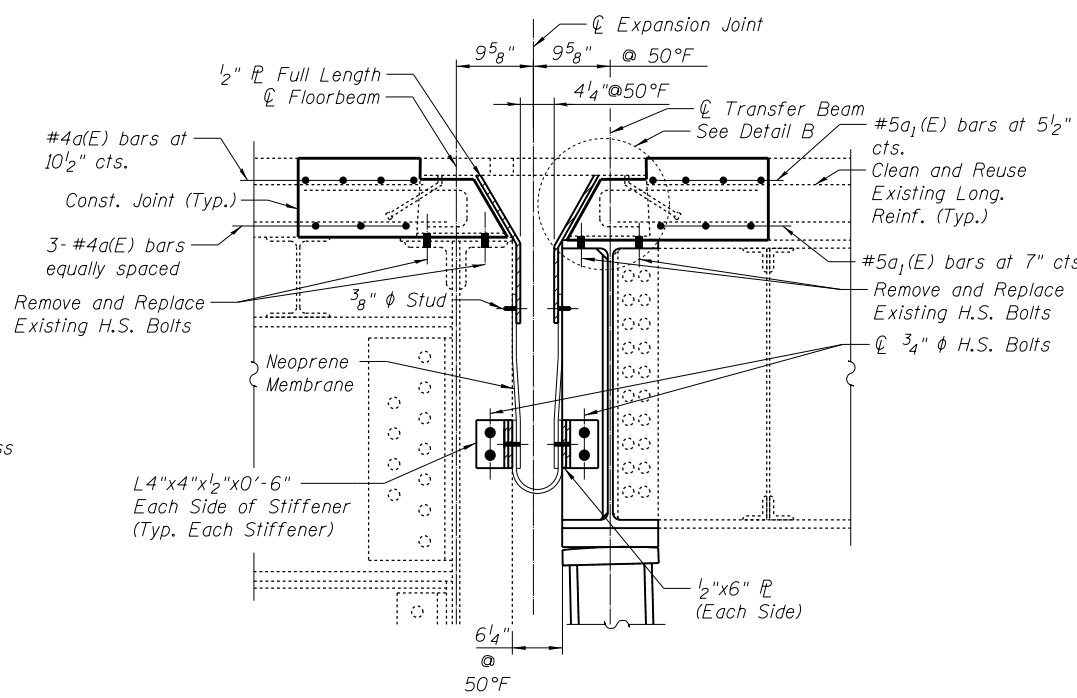
TYPICAL FINGER JOINT PLAN
Finger Joint repair at Pier 1 shown, Pier 6 similar.



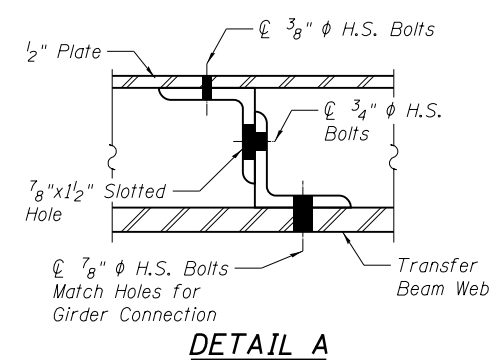
SECTION A-A
(Existing Showing Removal)



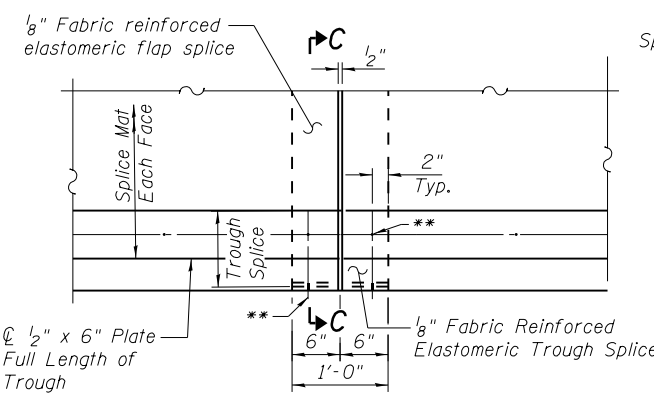
SECTION B-B



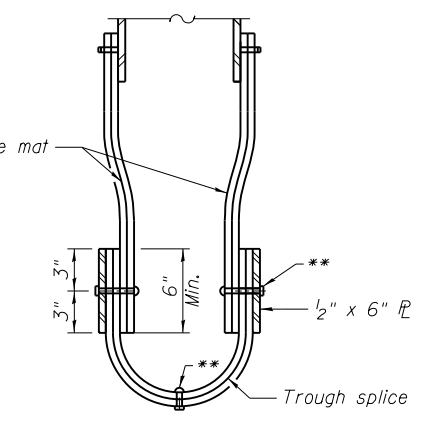
SECTION A-A
(Proposed)



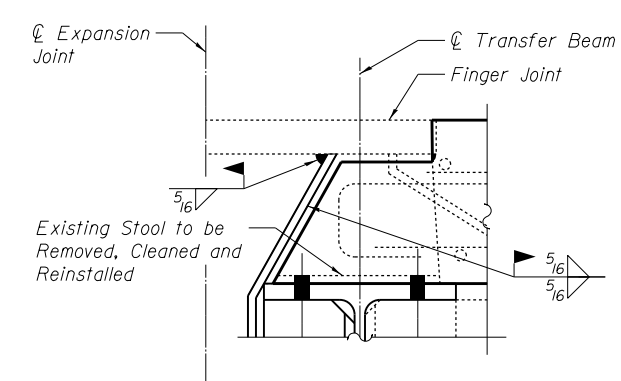
DETAIL A



TROUGH SPLICE DETAIL
(To be used as necessary)



SECTION C-C



DETAIL B
Transfer Beam Location Shown. Floorbeam Location Similar

Bar	No.	Size	Length	Shape
a(E)	28	#4	25'-10"	—
a1(E)	28	#5	25'-10"	—
Reinforcement Bars, Epoxy Coated			Lbs.	1,240
Concrete Superstructure			Cu. Yds.	10.0
Concrete Removal			Cu. Yds.	10.0

LEGEND

Note:
1. Cost of Sawcut is included with Concrete Removal item.

FILE NAME = I:\Projects\4015550\4015550_0201\90_CAD_Models_and_Sheets\04_CJ_Bridge\0815085-64H28-024-Details 11.dgn

	USER NAME = pottisjm	DESIGNED - JMP	REVISOR	STATE OF ILLINOIS DEPARTMENT OF TRANSPORTATION	FINGER JOINT RETROFIT DETAILS STRUCTURE NO. 081-9905	F.A.P. R.T.E.	SECTION	COUNTY	TOTAL SHEETS	SHEET NO.
	PLOT SCALE = 2:0.0000 '1' / in.	CHECKED - SB	REVISOR			308	(3BRM)	ROCK ISLAND	47	35
	PLOT DATE = 1/21/2014	DRAWN - JMP	REVISOR			C-92-090-12		CONTRACT NO. 64H28		
		CHECKED - SB	REVISOR			ILLINOIS FED. AID PROJECT				
						SHEET NO. 22 OF 33 SHEETS				