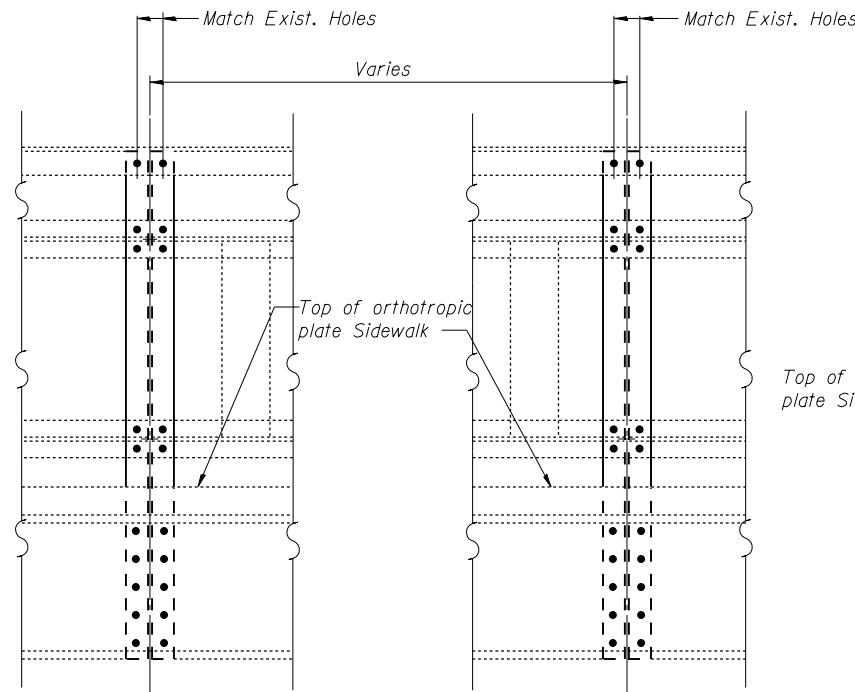


DETAIL 111

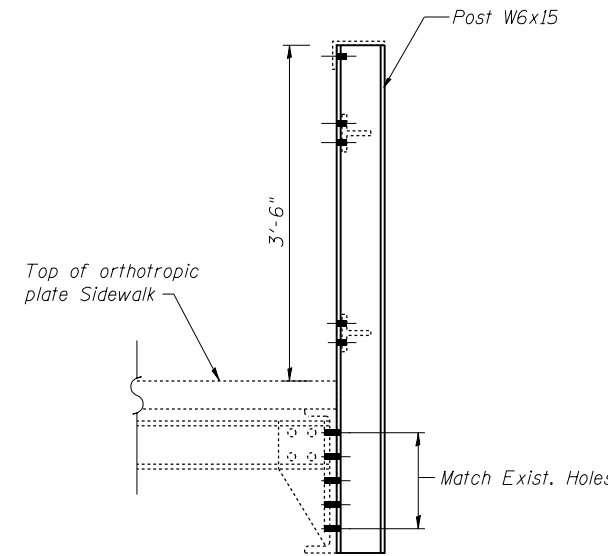
Rail Post at Arch Spans Floor Beam Brackets



ELEVATION OF SIDEWALK RAILING

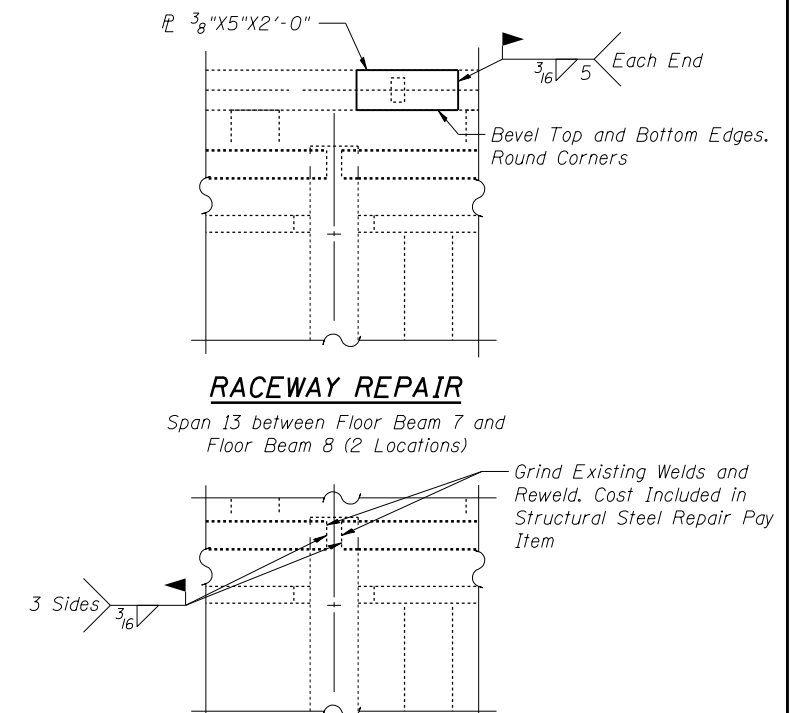
Notes:

1. Replace railing post as shown in Tables on Sheet 31 with W6x15 post. Reattach railing with new bolts at the existing rivet locations.
2. Provide new bolts in place of the existing loose bolts on the rail posts at the following locations:
West side, #121, #181, #246, #268, and #327. Cost of New Bolts shall be included in the Pay Item Steel Bridge Rail Posts.



DETAIL 114

Rail Post at Bracket, between Arch Span Floor Beam Brackets



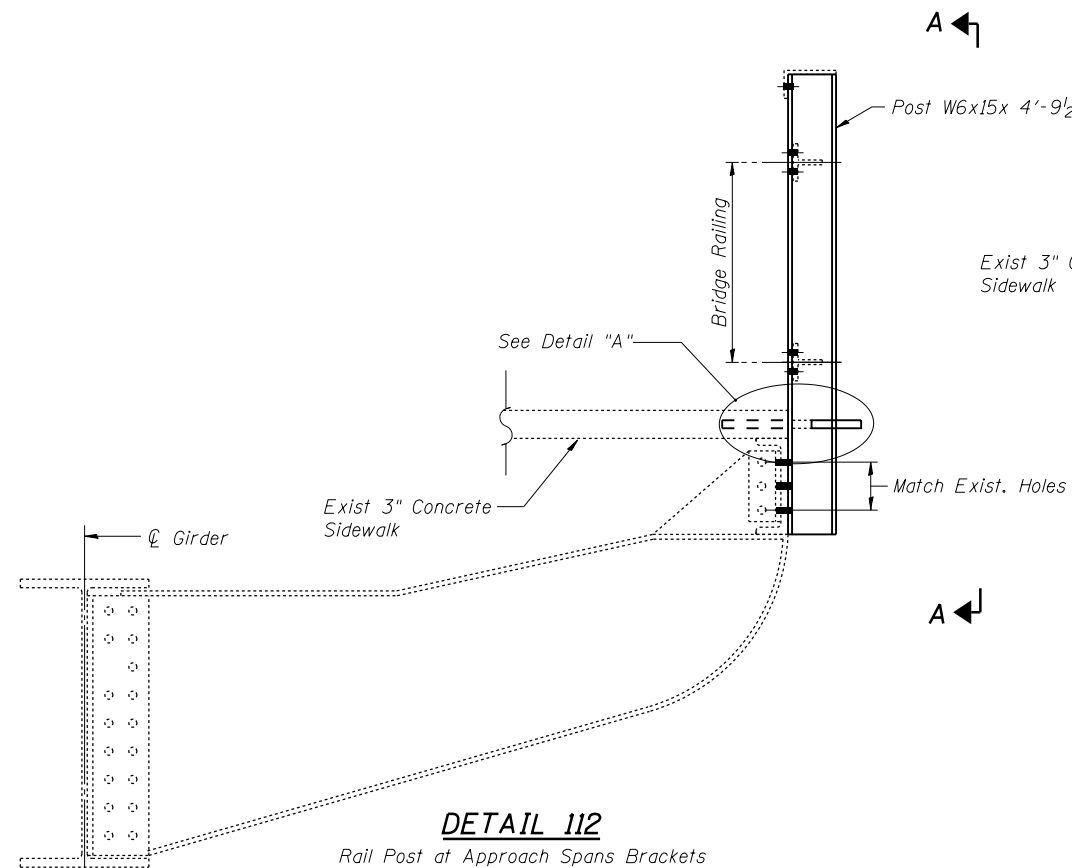
RACEWAY REPAIR

Span 13 between Floor Beam 7 and Floor Beam 8 (2 Locations)

TOP RAIL REPAIR

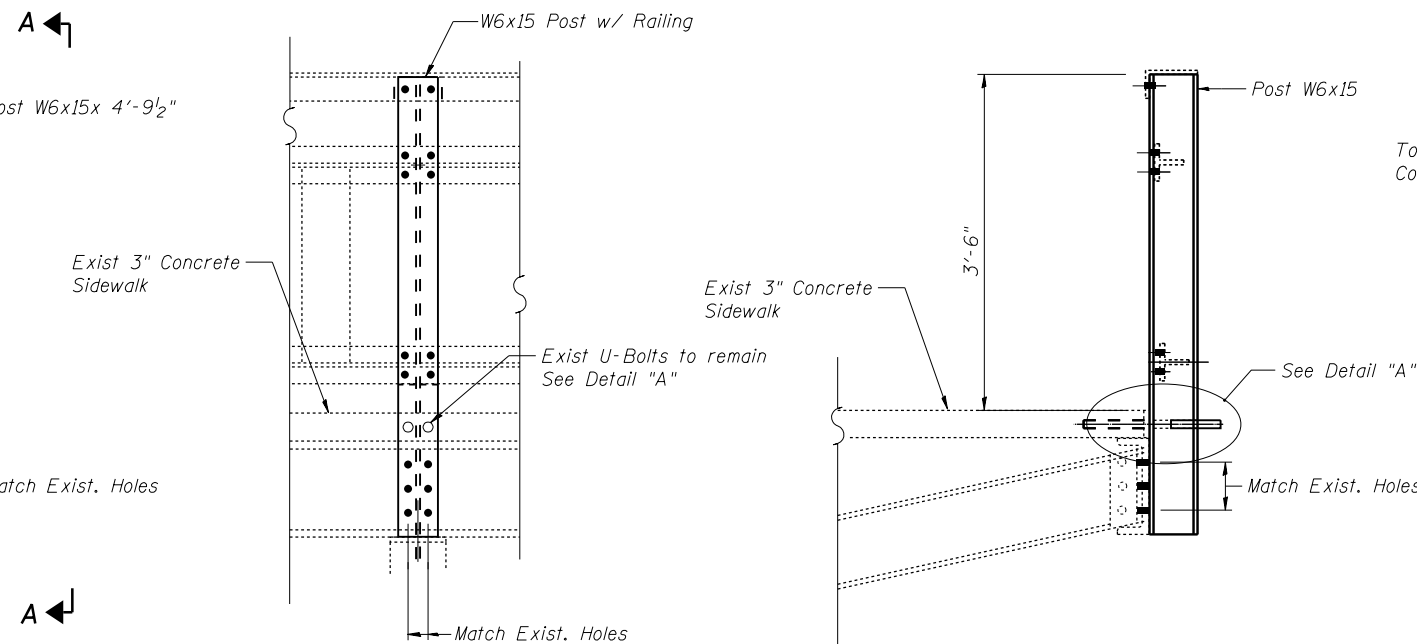
At Post location 429 and 467

DETAIL 115

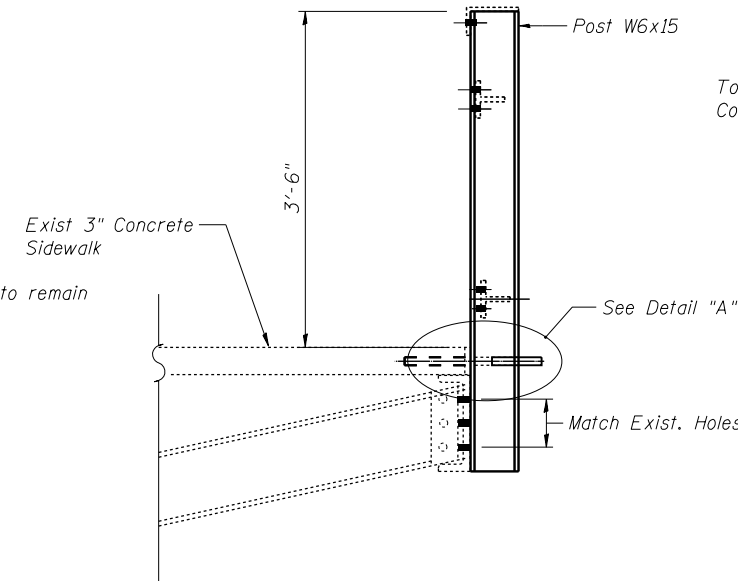


DETAIL 112

Rail Post at Approach Spans Brackets

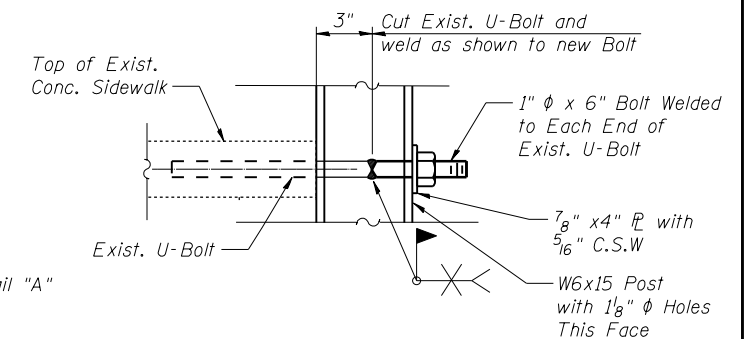


VIEW A-A



DETAIL 113

Rail Post between Approach Spans Brackets



DETAIL "A"

Legend:

V.I.F. - Verify in Field

Note:

Replace existing rivets in railing and posts with 3/4" H.S. Bolts.

I:\Projects\4015550\4015550-0001\90_CAD_Models and Sheets\04_CJ_Bridge\SDI\0819905-64H28-024-Post.dgn

SDI STRUCTURE DESIGNS, INCORPORATED
ARCHITECTS & ENGINEERS
PH: (312) 551-9780 www.structuredesignsinc.com

USER NAME = pattsjm	DESIGNED - LRT	REVISED
PLOT SCALE = 2.00000' / in.	CHECKED - OAO	REVISED
PLOT DATE = 1/24/2014	DRAWN - JL	REVISED
	CHECKED - LRT	REVISED

STATE OF ILLINOIS
DEPARTMENT OF TRANSPORTATION

POST REPLACEMENTS AND RAILING REPAIRS
STRUCTURE NO. 081-9905

SHEET NO. 29 OF 33 SHEETS

F.A.P. RTE.	SECTION	COUNTY	TOTAL SHEETS	SHEET NO.
308	(3BR)M	ROCK ISLAND	47	42
C-92-090-12		CONTRACT NO. 64H28		
ILLINOIS FED. AID PROJECT				