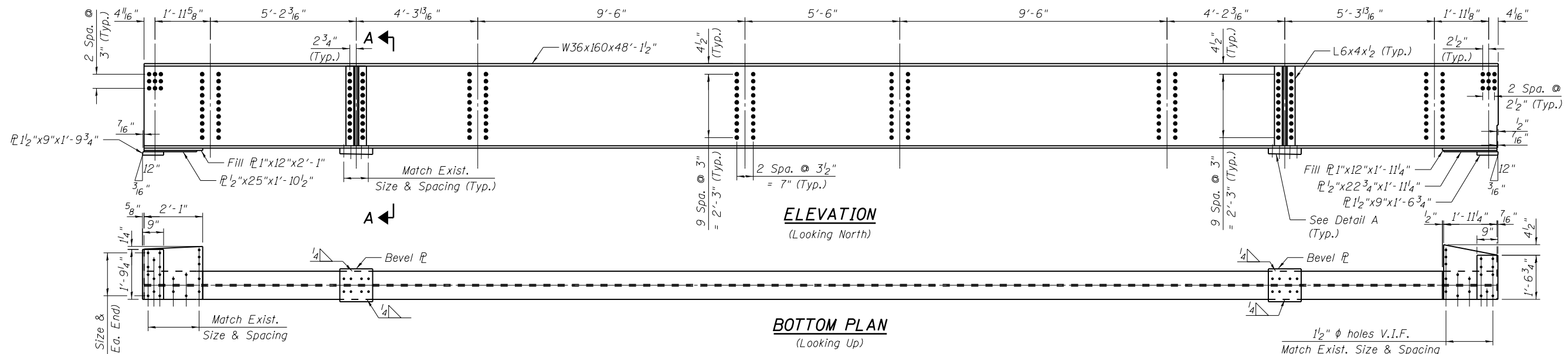


TOP PLAN

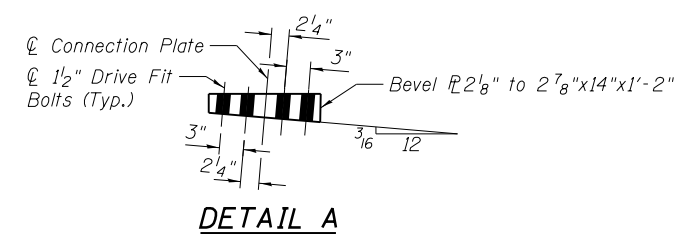


ELEVATION
(Looking North)

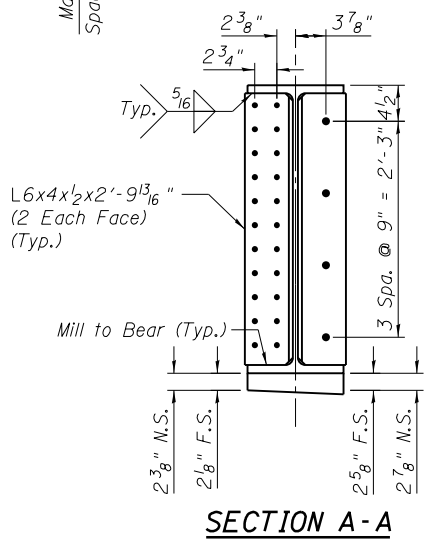
BOTTOM PLAN
(Looking Up)

TRANSFER BEAM

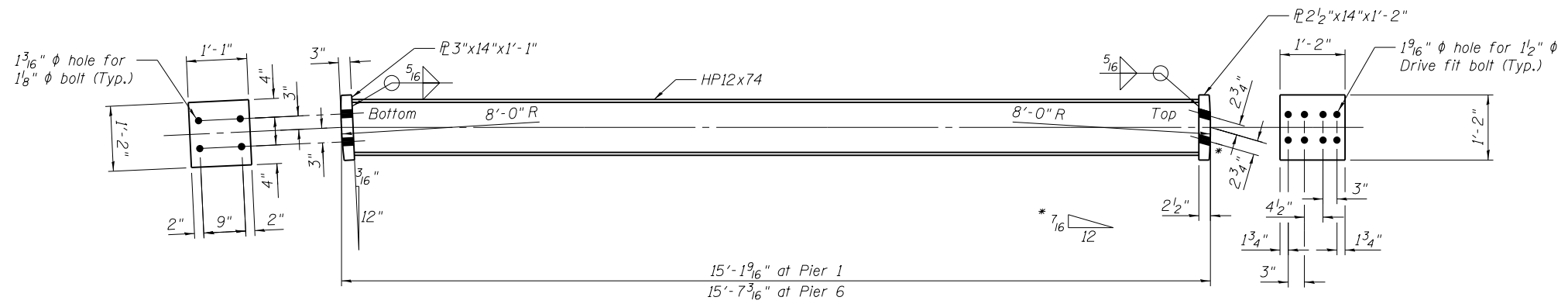
(2 Required)
(Transfer Beam at Pier 1 shown,
Pier 6 location similar but opposite.)



DETAIL A



SECTION A-A



SUPPORT COLUMN
(2 required per location, total 4)

BILL OF MATERIAL

ITEM	UNIT	TOTAL
Furnish and Erect Structural Steel	Pound	24,175
Structural Steel Removal	Pound	23,622

For information purposes only. Quantities billed in plan sheets.

Notes:

- All steel this sheet to be M270 Grade 50. Contractor to verify all dimensions prior to ordering steel.

FILE NAME = I:\Projects\4015550\4015550_081908-64H28-023-Transfer Beam Shop Draw.dgn



USER NAME = pottisjm	DESIGNED - JMP	REVISIONS
PLOT SCALE = 2:0.0000 '1' / in.	CHECKED - SB	REVISIONS
PLOT DATE = 1/24/2014	DRAWN - JMP	REVISIONS
	CHECKED - SB	REVISIONS

STATE OF ILLINOIS
DEPARTMENT OF TRANSPORTATION

TRANSFER BEAM DETAILS
STRUCTURE NO. 081-9905

SHEET NO. 33 OF 33 SHEETS

F.A.P. RFE.	SECTION	COUNTY	TOTAL SHEETS	SHEET NO.
308	(3BRM)	ROCK ISLAND	47	46
C-92-090-12		CONTRACT NO. 64H28		
ILLINOIS FED. AID PROJECT				