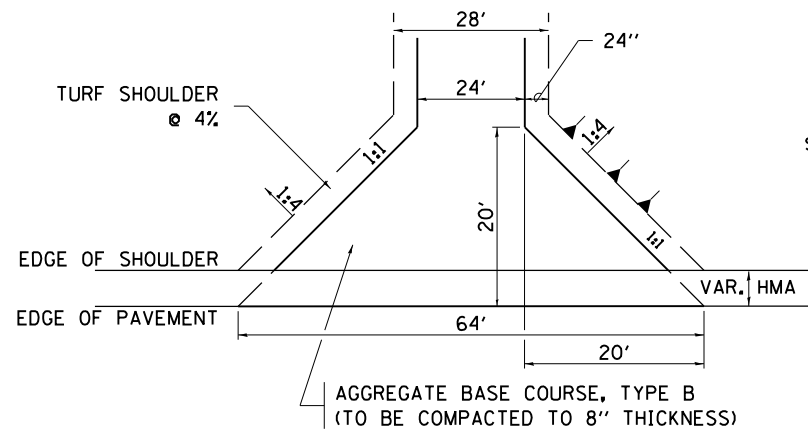
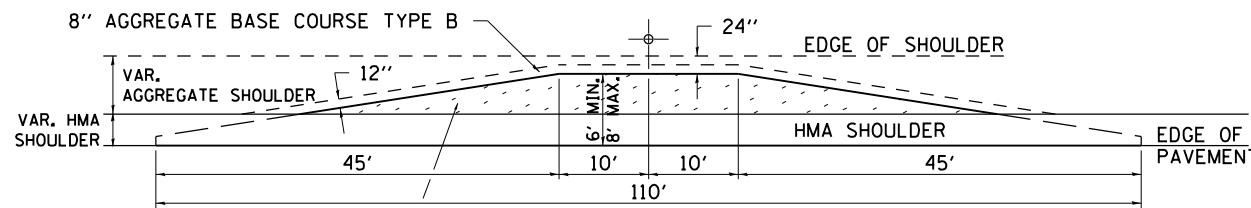


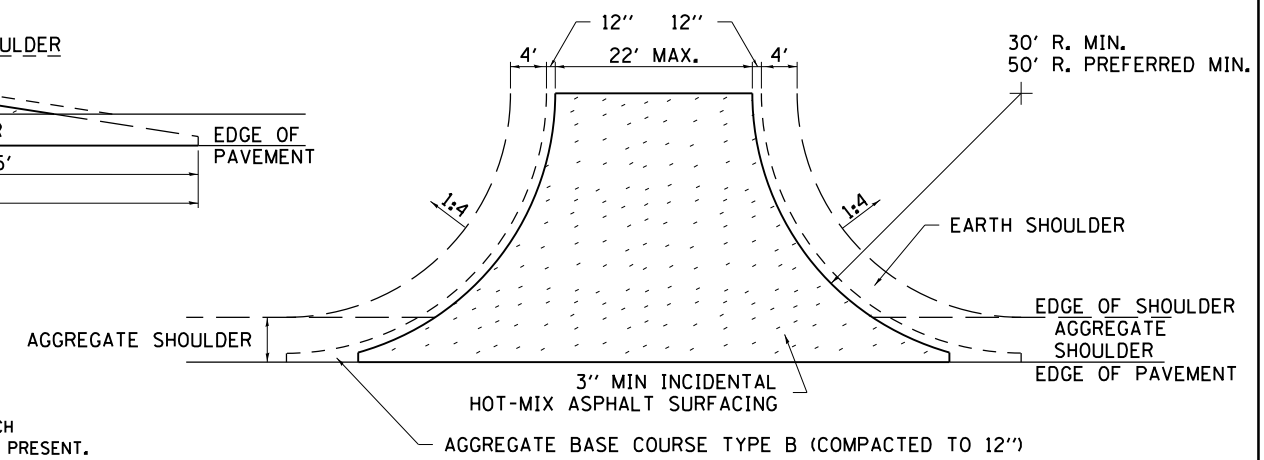
HOT-MIX ASPHALT APPROACHES AND MAILBOX RETURNS



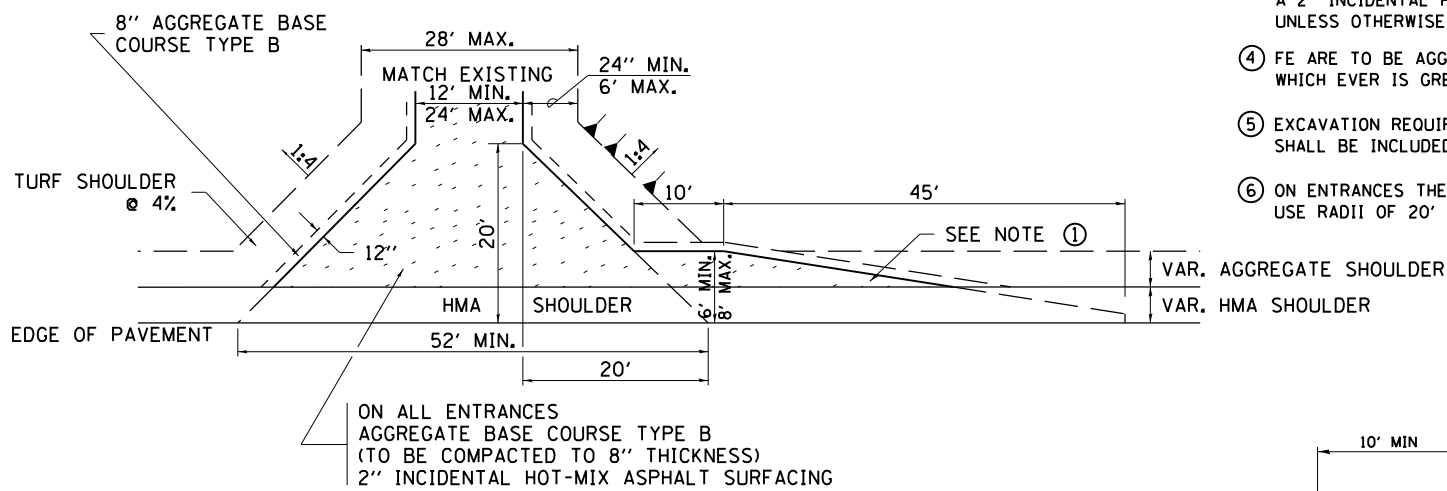
FIELD ENTRANCE



MAILBOX TURNOUT



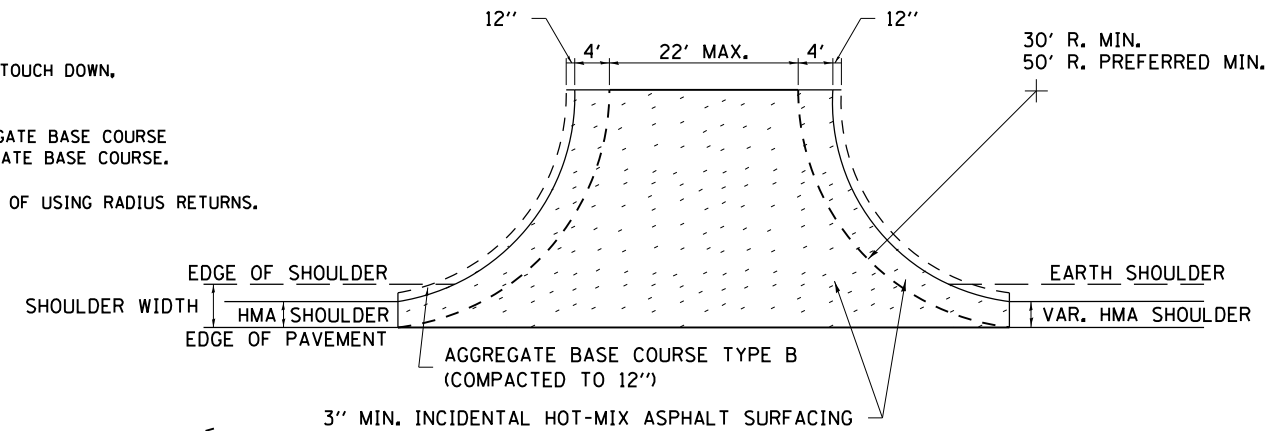
SIDE ROAD RETURN/EARTH SHOULDER



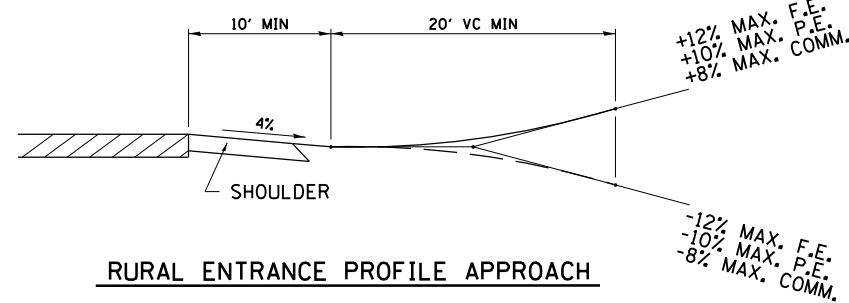
PRIVATE ENTRANCE

NOTE

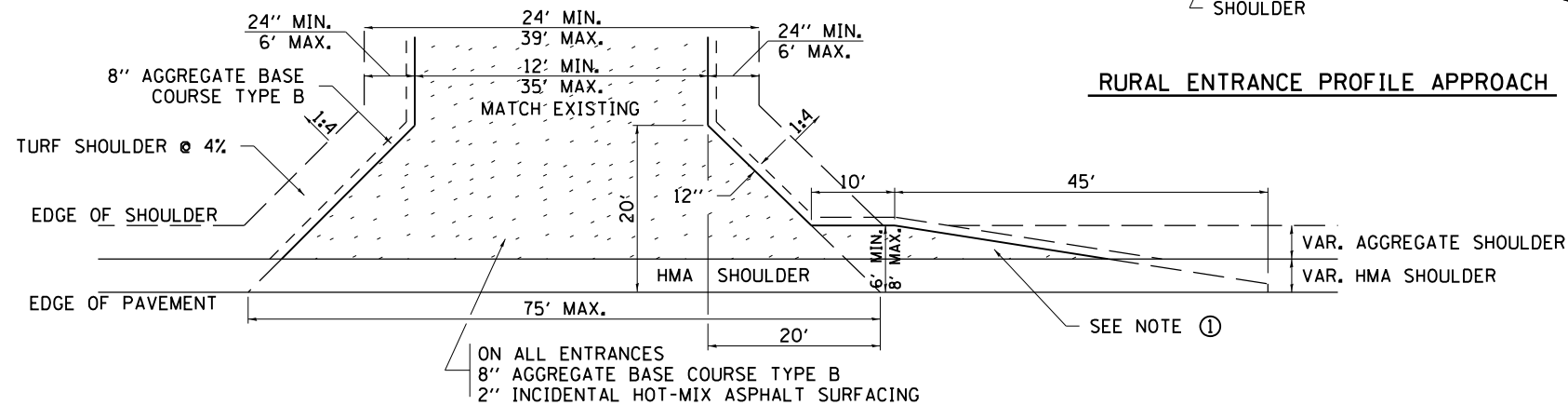
- ① TURNOUTS ARE TO BE CONSTRUCTED ON THE APPROACH SIDE OF ALL PE & CE REGARDLESS IF A MAILBOX IS PRESENT.
- ② ALL PE & CE ARE TO BE SURFACED TO RIGHT OF WAY LINE. AREA BEHIND RIGHT OF WAY SHALL MATCH EXISTING SURFACE.
- ③ ALL PE & CE TO BE CONSTRUCTED WITH AN 8" AGGREGATE BASE COURSE, TYPE B AND WITH A 2" INCIDENTAL HOT-MIX ASPHALT SURFACING, UNLESS OTHERWISE NOTED.
- ④ FE ARE TO BE AGGREGATE TO RIGHT OF WAY OR TOUCH DOWN, WHICH EVER IS GREATEST.
- ⑤ EXCAVATION REQUIRED FOR PLACEMENT OF AGGREGATE BASE COURSE SHALL BE INCLUDED IN THE COST OF THE AGGREGATE BASE COURSE.
- ⑥ ON ENTRANCES THE CONTRACTOR HAS THE OPTION OF USING RADIUS RETURNS. USE RADII OF 20' TO 60'.



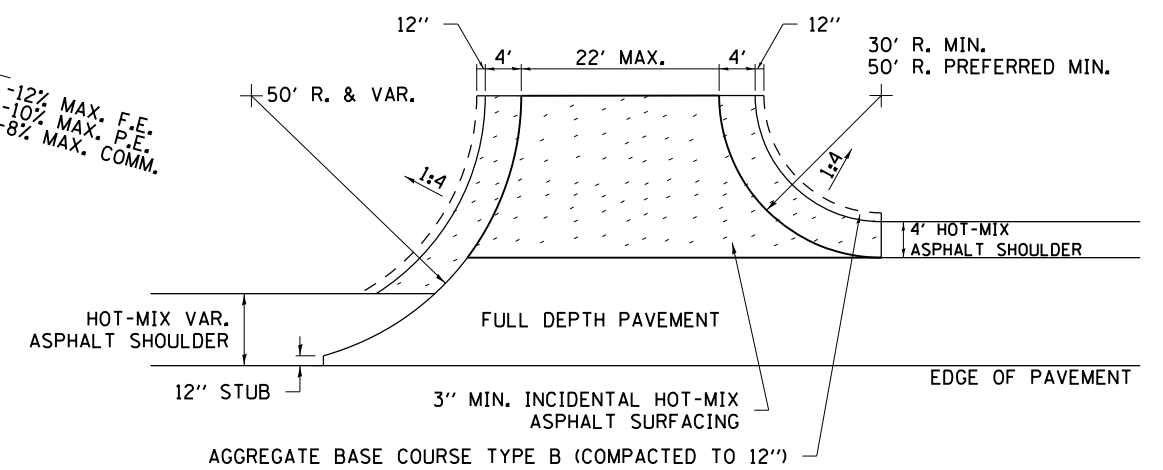
SIDE ROAD RETURN/HMA SHOULDER



RURAL ENTRANCE PROFILE APPROACH



COMMERCIAL ENTRANCE



SIDE ROAD RETURN WITH RIGHT TURN LANE

FILE NAME =	USER NAME = rundbladerr	DESIGNED -	REVISED - 12-07-10
ci:\pwwork\pwwork\pwwork\pwwork\d0331847	D264H70-District2Standards-01.dgn	DRAWN -	REVISED -
	PLOT SCALE = 100.0020' / in.	CHECKED -	REVISED -
	PLOT DATE = Thu Aug 15 13:16:35 2013	DATE -	REVISED -

STATE OF ILLINOIS
DEPARTMENT OF TRANSPORTATION

REGION 2 / DISTRICT 2 STANDARD

SCALE: SHEET NO. 64 OF 64H SHEETS STA. 64H70 TO STA. 64H70

F.A.P. RTE.	SECTION	COUNTY	TOTAL SHEETS	SHEET NO.
734	77R-1	WINNEBAGO	179	94
CONTRACT NO. 64H70				
FED. ROAD DIST. NO. ILLINOIS FED. AID PROJECT				