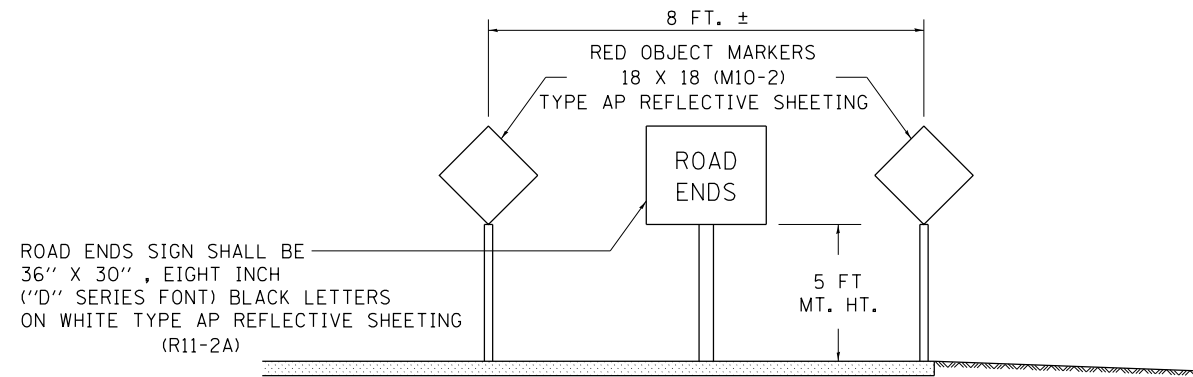


TERMINATION OF DEAD END ROADS

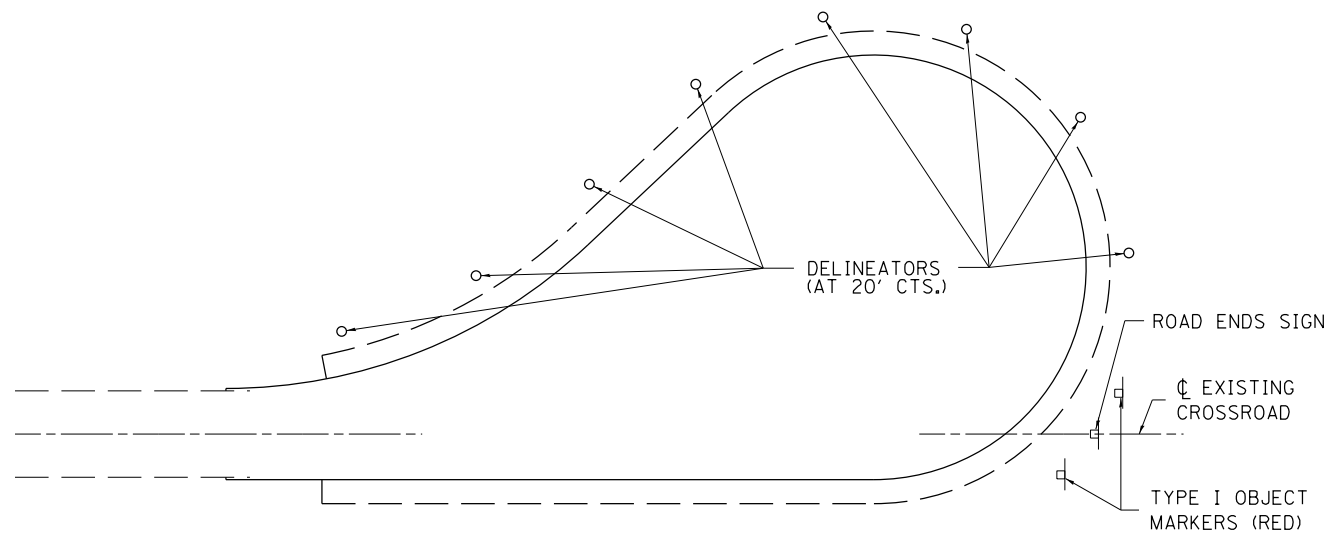
NOTES: A "NO OUTLET" (36"x36" YELLOW) SIGN SHALL BE ERECTED SLIGHTLY BEYOND THE LAST ROAD INTERSECTING THE ROAD WITH NO OUTLET. IF THIS INTERSECTION IS MORE THAN 1500 FT FROM TERMINATION POINT, OR IF SIGHT DISTANCE TO THE CLOSURE IS LESS THAN 500 FT, A ROAD ENDS 500 FT (WB-16) SIGN SHALL BE ERECTED 500 FT IN ADVANCE OF THE TERMINATION OF THE ROAD. THIS WORK WILL BE PAID FOR AT THE CONTRACT UNIT PRICE PER EACH FOR "TERMINATION OF DEAD END ROADS" WHICH PRICE SHALL INCLUDE ALL LABOR, MATERIALS AND EQUIPMENT NECESSARY TO INSTALL THE SIGNS AND DELINEATORS.

USE 4X6 WOOD POSTS INSTALLED IN ACCORDANCE WITH ARTICLE 730.0 OF STANDARD SPECIFICATIONS FOR TRAFFIC CONTROL ITEMS. USE APPLICABLE PARTS OF STANDARD 720001 FOR SIGN MOUNTING.

ALL DIMENSIONS ARE IN INCHES UNLESS OTHERWISE NOTED.



TERMINATION SIGNING

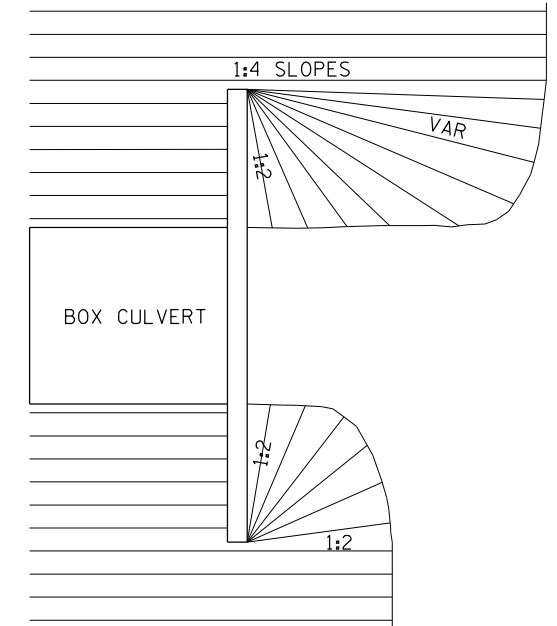
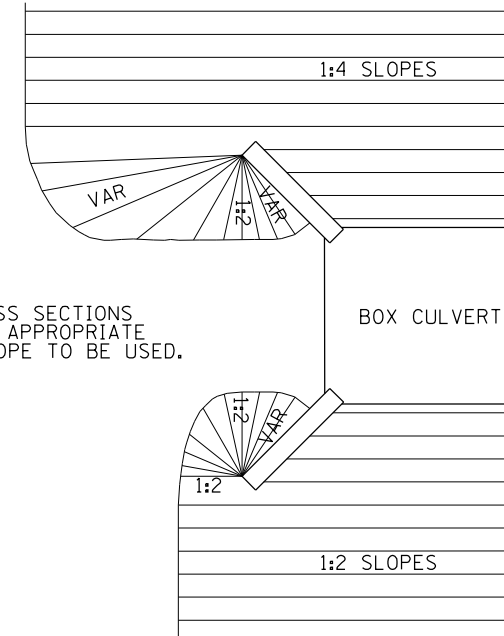


TRAFFIC CONTROL
TYPICAL CUL-DE-SAC

REVISED - 10-14-11

PLOT DATE = Thu Aug 15 13:20:29 2013

GRADING AROUND WINGWALLS

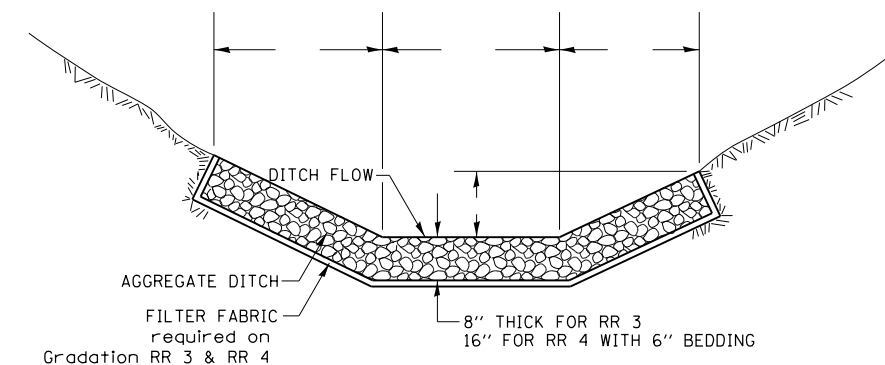


NOTES
SEE CROSS SECTIONS FOR THE APPROPRIATE FRONTSLOPE TO BE USED.

5-27-09

GRADING AROUND WINGWALLS 20.4

AGGREGATE DITCH FOR FLEXIBLE DITCH LINING



THIS WORK SHALL BE DONE IN ACCORDANCE WITH SECTION 281. AGGREGATE DITCH WILL BE MEASURED FOR PAYMENT IN PLACE AND THE AREA COMPUTED IN SQUARE YARDS OF ACTUAL SURFACE AREA. AGGREGATE DITCH WILL BE PAID FOR AT THE CONTRACT UNIT PRICE PER SQUARE YARD FOR STONE RIPRAP CLASS A3 OR STONE RIPRAP CLASS A4 THE FILTER FABRIC SHALL BE ACCORDING TO SECTION 282. FILTER FABRIC WILL BE PAID FOR AT THE CONTRACT UNIT PRICE PER SQUARE YARD FOR FILTER FABRIC.

ALL DIMENSIONS ARE IN INCHES UNLESS OTHERWISE NOTED.

REVISED - 7-05-12	REGION 2 / DISTRICT 2 STANDARD		F.A.P. RTE.	SECTION	COUNTY	TOTAL SHEETS	SHEET NO.
REVISED -	SCALE: 100.0020' / 1"	SHEET NO. OF SHEETS	734	77R-1	WINNEBAGO	179	107
REVISED -	STA. TO STA.	CONTRACT NO. 64H70		ILLINOIS FED. AID PROJECT			
REVISED -							