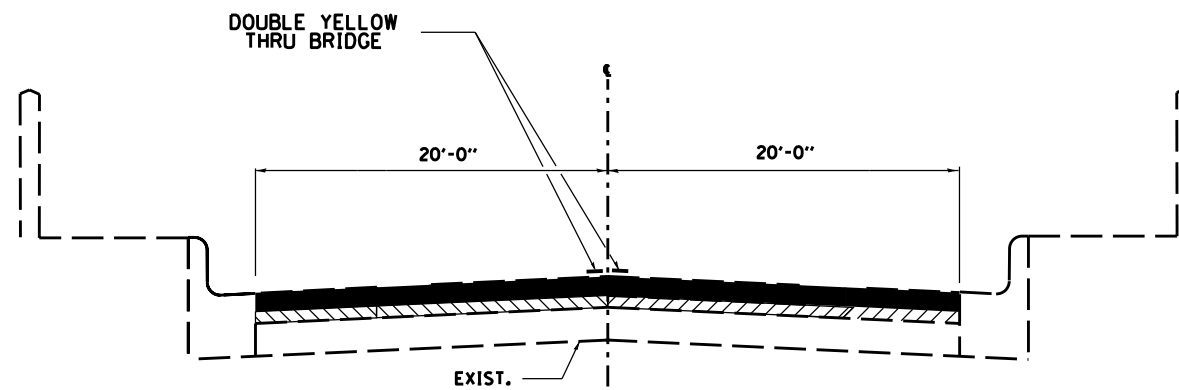
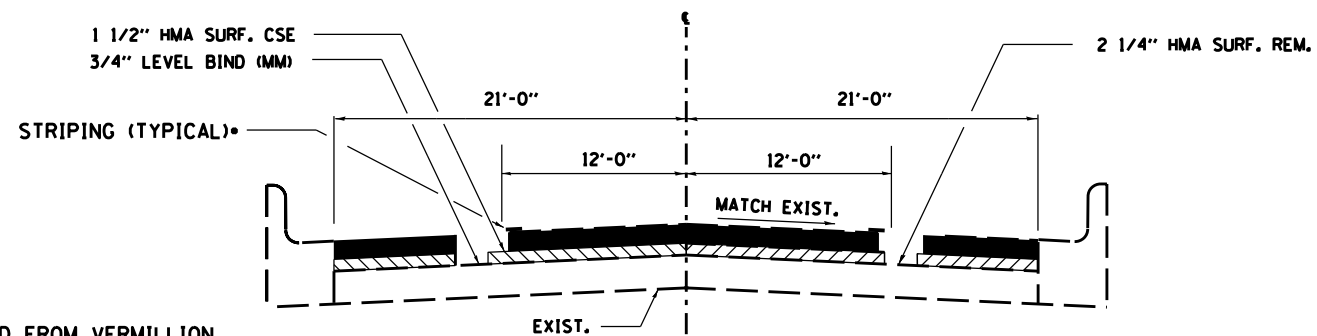


STA. 40+93 - 65+00
SHALLEE COURT TO PATTON ST



STA. 65+00 - 67+76
OMIT SN 027-0090
PATTON ST



*STRIPING ONLY NEEDED FROM VERMILLION TO FALL ST TO DELINEATE PARKING LANE. SEE DETAIL FOR PARKING ALLOWED ALONG US 45/IL 9 INTERSECTION

STA. 67+76 - 115+80
PATTON ST TO FALL ST

FILE NAME =	USER NAME = \$USER*	DESIGNED -	REVISED -	STATE OF ILLINOIS DEPARTMENT OF TRANSPORTATION	TYPICAL SECTIONS			F.A.P. RTE.	SECTION	COUNTY	TOTAL SHEETS	SHEET NO.
FILEL		DRAWN -	REVISED -					697	(17) RS-4	FORD	31	9
	PLOT SCALE = \$SCALE*	CHECKED -	REVISED -		SCALE: _____ SHEET _____ OF _____ SHEETS STA. _____ TO STA. _____			CONTRACT NO. 66A94				
	PLOT DATE = \$DATE*	DATE -	REVISED -		ILLINOIS FED. AID PROJECT							