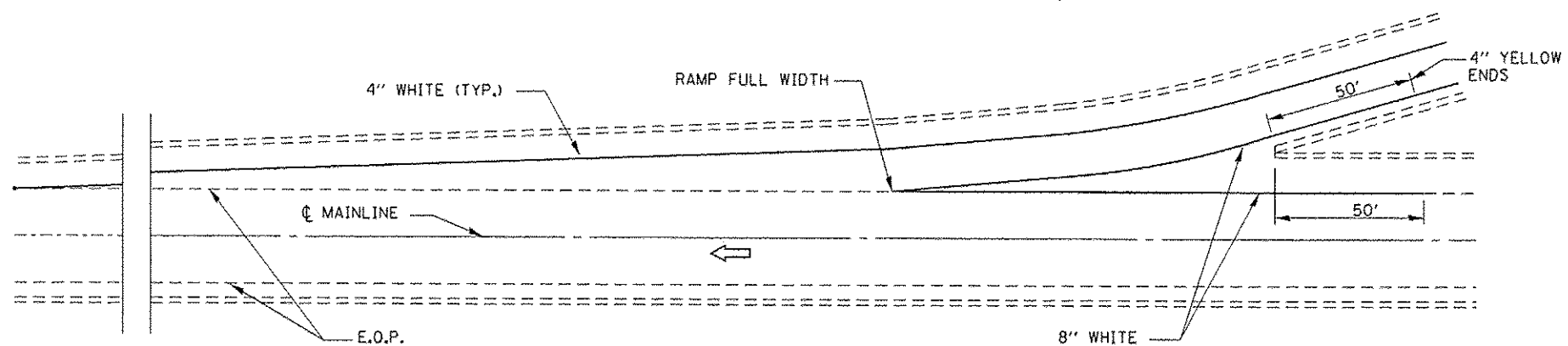
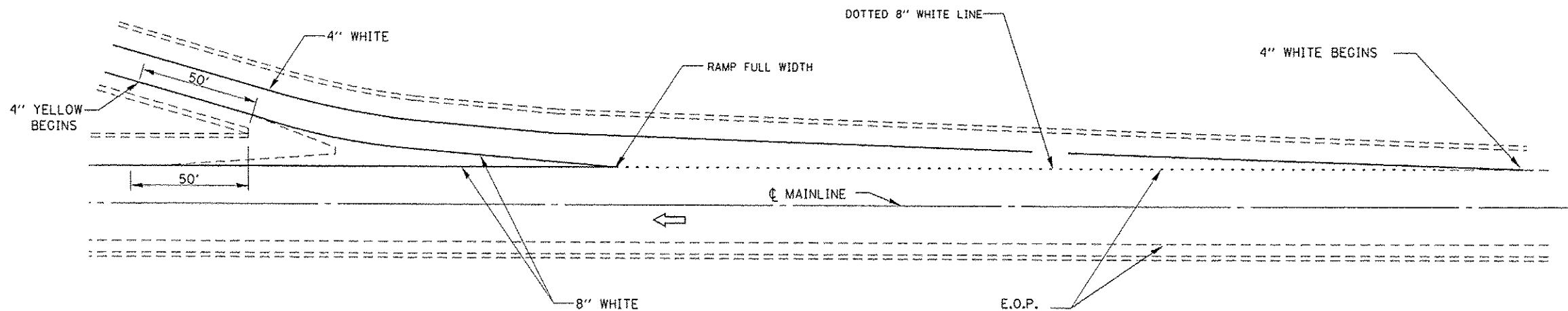


TYPICAL PAVEMENT MARKINGS



TYPICAL PAVEMENT MARKING FOR ENTRANCE RAMP TERMINALS



TYPICAL PAVEMENT MARKINGS FOR EXIT RAMP TERMINALS

| | | | | | | | | | | | |
|---|----------------------------|---------------|-----------|---|---------------------------|---------------------|----------------|------------|---------------------------|-----------------|--------------|
| FILE NAME * | USER NAME * woodshank1 | DESIGNED - RW | REVISED - | STATE OF ILLINOIS DEPARTMENT OF TRANSPORTATION | TYPICAL PAVEMENT MARKINGS | | F.A.I. RTE. | SECTION | COUNTY | TOTAL SHEETS | SHEET NO. |
| c:\p\work\psidot\woodshank1\d0329865\0366C81.sht-detailed.dgn | DRAWN - RW | CHECKED - | REVISED - | | | | 57 | (38-68)1-2 | ILLINOIS | 19 | 9 |
| *MODELNAME* | PLOT SCALE * 100.00' / in. | DATE - | REVISED - | | SCALE: | SHEET 1 OF 1 SHEETS | STA. | TO STA. | CONTRACT NO. 66C81 | | |
| | PLOT DATE * 11/15/2013 | | | | | | | | ILLINOIS FED. AID PROJECT | | |