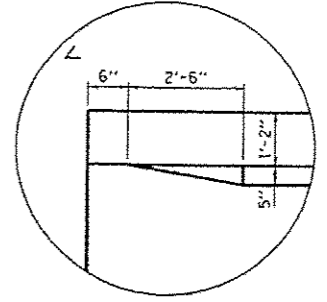


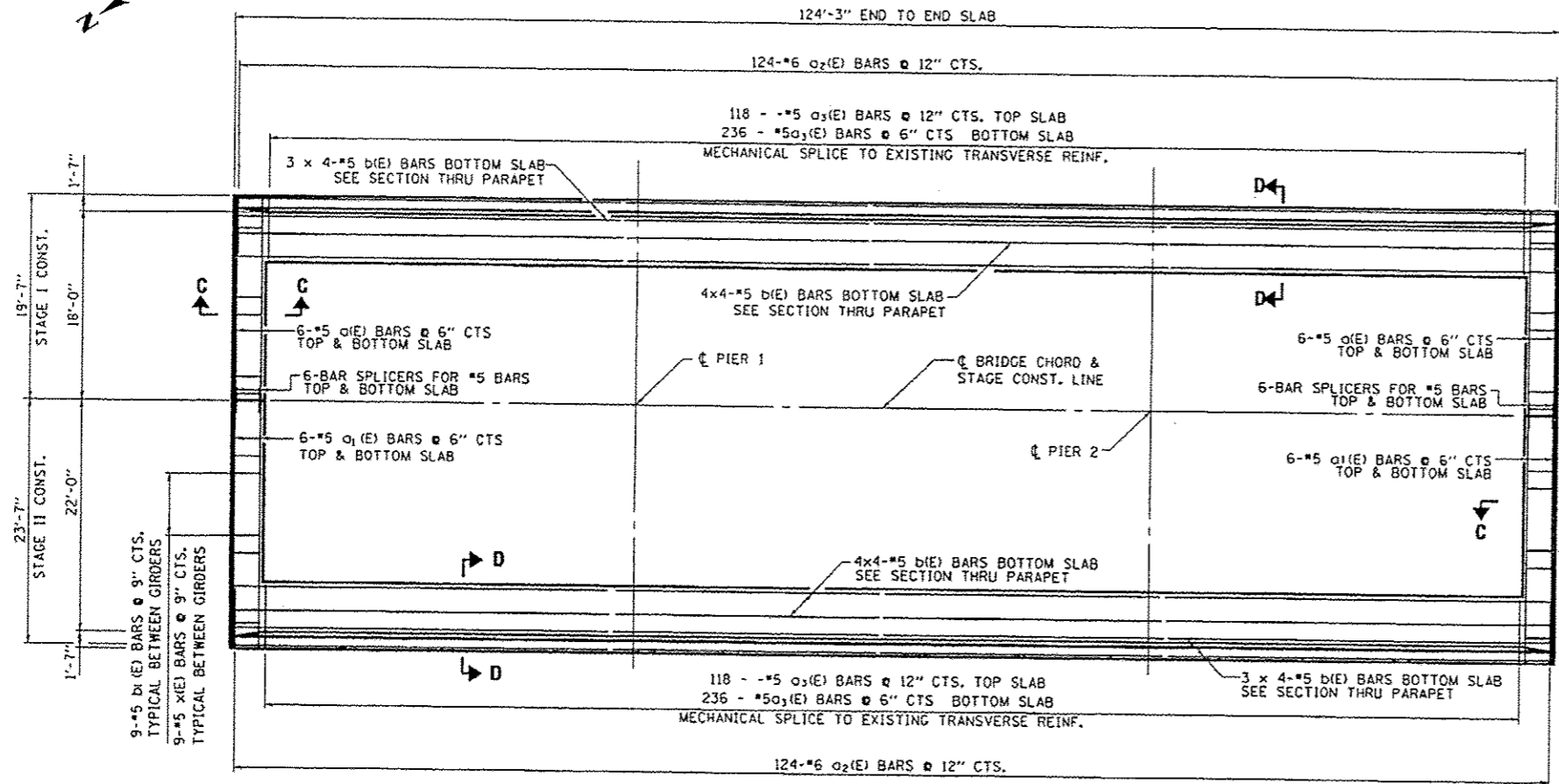
ELEVATION OF PARAPET

MINIMUM BAR LAP

- \*4 BAR = 2'-0"
- \*5 BAR = 2'-6"
- \*8 BAR = 5'-2"



CORNER DETAIL (TYPICAL)



PLAN  
SHOWING DECK REINFORCEMENT

SOUTHBOUND STRUCTURE (038-0155) SHOWN  
NORTHBOUND STRUCTURE (038-0156) SIMILAR  
THRU 180 DEG. ROTATION ABOUT CENTERLINE OF FAL 57

TWO SUPERSTRUCTURES  
BILL OF MATERIAL

BAR	NO.	SIZE	LENGTH	SHAPE
o1(E)	48	5	19'-4"	=====
o1(E)	48	5	23'-4"	=====
o2(E)	496	6	5'-10"	=====
o3(E)	1416	5	5'-8"	=====
b(E)	112	5	32'-10"	=====
b1(E)	144	5	2'-9"	=====
d(E)	496	5	5'-7"	=====
d1(E)	496	5	7'-6"	=====
e(E)	112	4	18'-9"	=====
e1(E)	56	4	23'-10"	=====
e2(E)	16	8	20'-0"	=====
e3(E)	8	8	23'-10"	=====
e4(E)	16	4	21'-7"	=====
e5(E)	8	4	23'-10"	=====
h(E)	24	6	19'-4"	=====
h1(E)	24	6	23'-4"	=====
u(E)	168	4	2'-11"	=====
x(E)	144	5	4'-11"	=====
CONCRETE REMOVAL			CU. YD	179.2
CONCRETE SUPERSTRUCTURE			CU. YD.	197
REINFORCEMENT BARS				
EPOXY COATED			POUND	60740
BAR SPLICERS			EACH	72
MECHANICAL SPLICERS			EACH	1416
PERFORMED JOINT STRIP SEAL			FOOT	168

FILE NAME	USER NAME	DESIGNED - RW	REVISED -
altpv_wor\p\dot\woodshankr\1\03250855	D366C81-shk-detailed.dgn	DRAWN - RW	REVISED -
MODEL NAME	PLOT SCALE = 100.00 / 1"	CHECKED - YP	REVISED -
	PLOT DATE = 11/15/2013	DATE = 9/16/2013	REVISED -

STATE OF ILLINOIS  
DEPARTMENT OF TRANSPORTATION

SUPERSTRUCTURE RECONSTRUCTION DETAILS  
FOR STRUCTURE NO'S 038-0155 AND 038-0156

F.A.I. NO.	SECTION	COUNTY	TOTAL SHEETS	SHEET NO.
57	138-GB/1-2	IRROQUOIS	19	12
CONTRACT NO. 66C81			ILLINOIS FED. AID PROJECT	

SCALE: SHEET 3 OF 10 SHEETS STA. 928+50.00