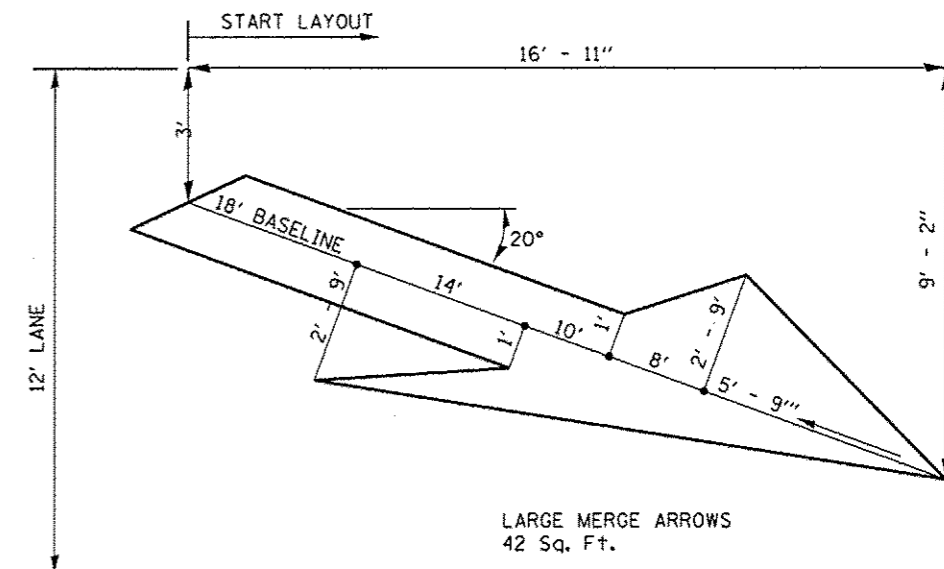
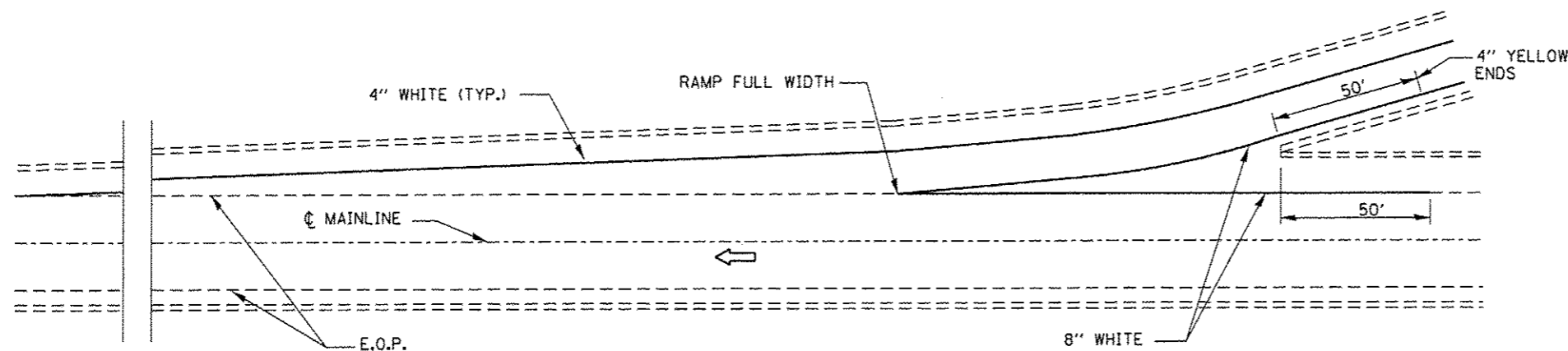


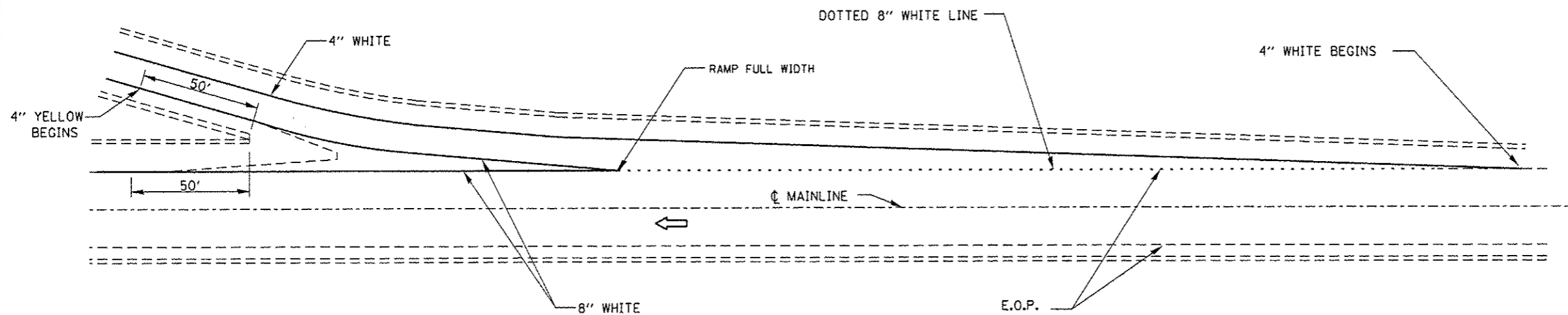
**TYPICAL PAVEMENT MARKINGS**



**LANE DROP ARROW**



**TYPICAL PAVEMENT MARKING FOR ENTRANCE RAMP TERMINALS**



**TYPICAL PAVEMENT MARKINGS FOR EXIT RAMP TERMINALS**

FILE NAME *	USER NAME * Patelyj	DESIGNED - RON WOODSHANK	REVISED -	<b>STATE OF ILLINOIS DEPARTMENT OF TRANSPORTATION</b>	<b>TYPICAL PAVEMENT MARKING</b>		P.A.I. RTE.	SECTION	COUNTY	TOTAL SHEETS	SHEET NO.
c:\pwork\pwork\patelyj\0342554\0366318-sht-details.dgn	PLOT SCALE * 1/8"=1'-0"	DRAWN - RON WOODSHANK	REVISED -				57	138-SVBIBP	IROQUOIS	9	7
PLOT DATE * 12/9/2013	DATE -	CHECKED -	REVISED -		SCALE:	SHEET NO. 1 OF 1 SHEETS	STA.	TO STA.	CONTRACT NO. 66D10		
										ILLINOIS FED. AID PROJECT	