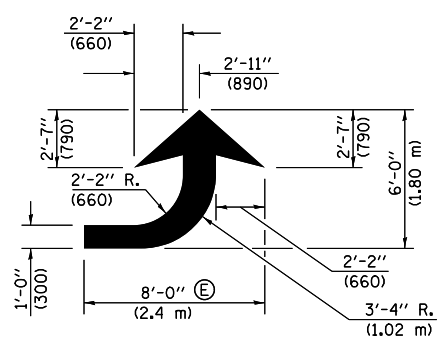


* REDUCE TO 40 FEET (12.2 METERS) ON CENTER ON CURVES WHERE ADVISORY SPEEDS ARE 10 MPH (15 km/h) LOWER THAN POSTED SPEEDS.

** DOUBLE LANE LINE MARKERS SHALL BE SPECIFIED AND SPACED AS SHOWN IN HIGHWAY STANDARD 781001 FOR MULTI-LANE DIVIDED AND UNDIVIDED HIGHWAYS.

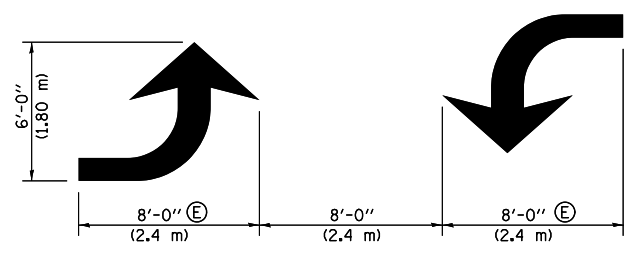
GENERAL NOTES:

- ⓑ TURN ARROW PAIRS SHALL BE PLACED AT 250' (75 m) INTERVALS AND SHALL BE EVENLY SPACED BETWEEN BOTH ENDS OF THE BIDIRECTIONAL LEFT TURN LANE.
- ⓒ THE SOLID YELLOW PAVEMENT MARKINGS [2] SHOULD GENERALLY START OR END NEAR THE RADIUS POINT OF EACH STREET RETURN EXCEPT WHERE ONE OR BOTH ENDS WOULD INCLUDE STOP BARS.
- ⓓ THE SKIP-DASH PAVEMENT MARKINGS [1] OR [7] SHOULD BE CENTERED BETWEEN BOTH ENDS OF EACH CITY BLOCK AND SHALL BE PLACED SO THEY LINE UP ACROSS FROM EACH OTHER. SEE EXAMPLE ON SHEET 2 OF 3.
- ⓔ USE LARGE ARROW SIZE FOR BOTH RURAL AND URBAN LOCATIONS. (SEE LAST PAGE OF SECTION 780x FOR SYMBOLS TABLE)



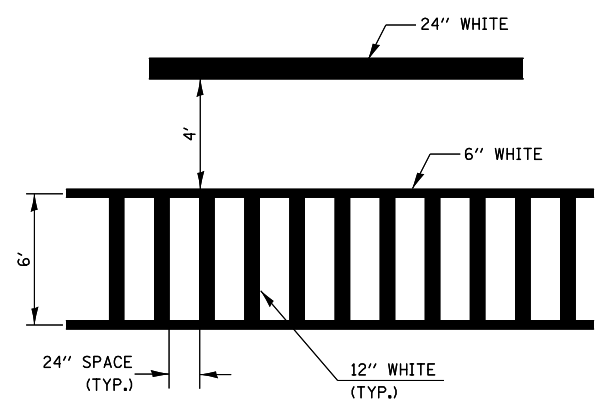
LEFT ARROW

REVERSE FOR RIGHT ARROW
AREA = 15.6 SQ. FT. (1.47 m²)
(WHITE)

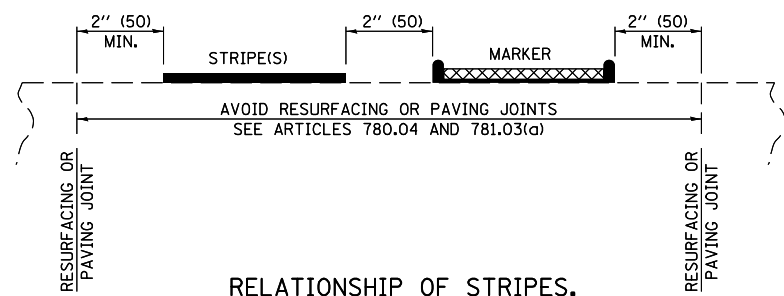


TYPICAL DOUBLE TURN ARROWS (WHITE)

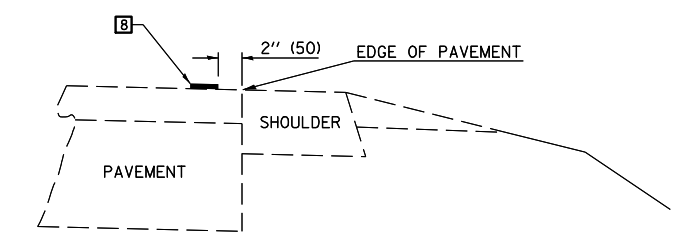
BLOOMINGTON-NORMAL CITY LIMITS ONLY



TYPICAL SPACING FOR CROSSWALKS & STOP BARS



RELATIONSHIP OF STRIPES, MARKERS AND JOINTS



RELATIONSHIP OF EDGE LINE TO EDGE OF PAVEMENT (SAFETY SHOULDER OR PAVED SURFACE) SEE ARTICLE 780.04

CROSSWALK WIDTH 6'-0" (1.8 m) OR AS SHOWN IN THE PLANS

Note: All dimensions are in INCHES (millimeters) unless otherwise shown.

FILE NAME =	USER NAME = grazianoja	DESIGNED -	REVISED - 11/06	STATE OF ILLINOIS DEPARTMENT OF TRANSPORTATION	PAVEMENT MARKING AND MARKERS (RURAL & URBAN APPLICATIONS)	F.A.P. RTE.	SECTION	COUNTY	TOTAL SHEETS	SHEET NO.
C:\Users\grazioja\Desktop\70432 cadd\570432-sh1-030-7800a.dgn		DRAWN -	REVISED - 09/2009 - KJT			721	(115BR) BR	PIATT	39	33
		CHECKED -	REVISED -			CONTRACT NO. 70432				
		DATE -	REVISED -			FED. ROAD DIST. NO.	ILLINOIS FED. AID PROJECT			