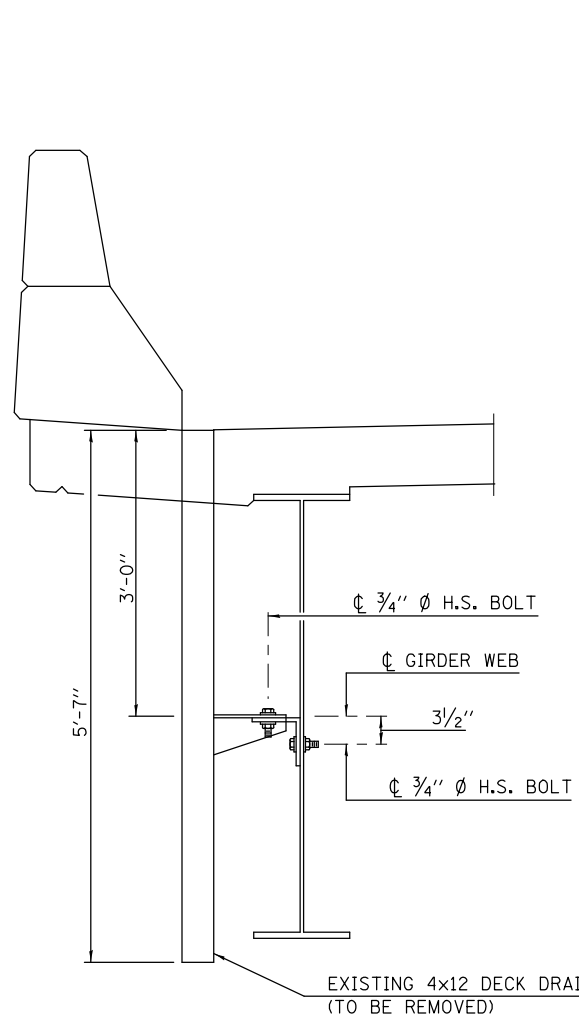
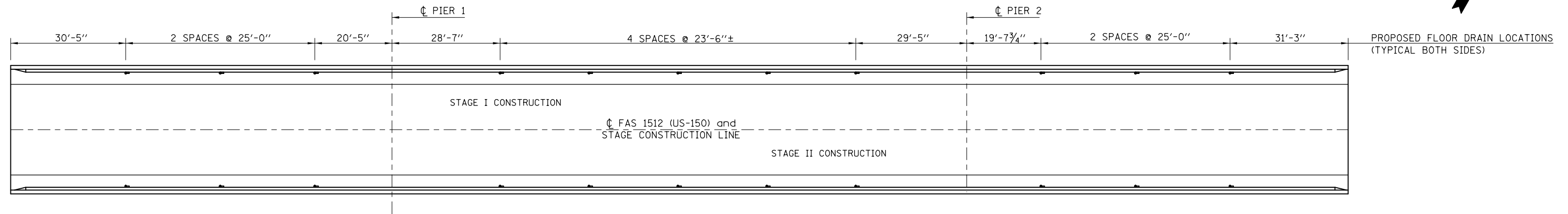
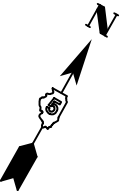
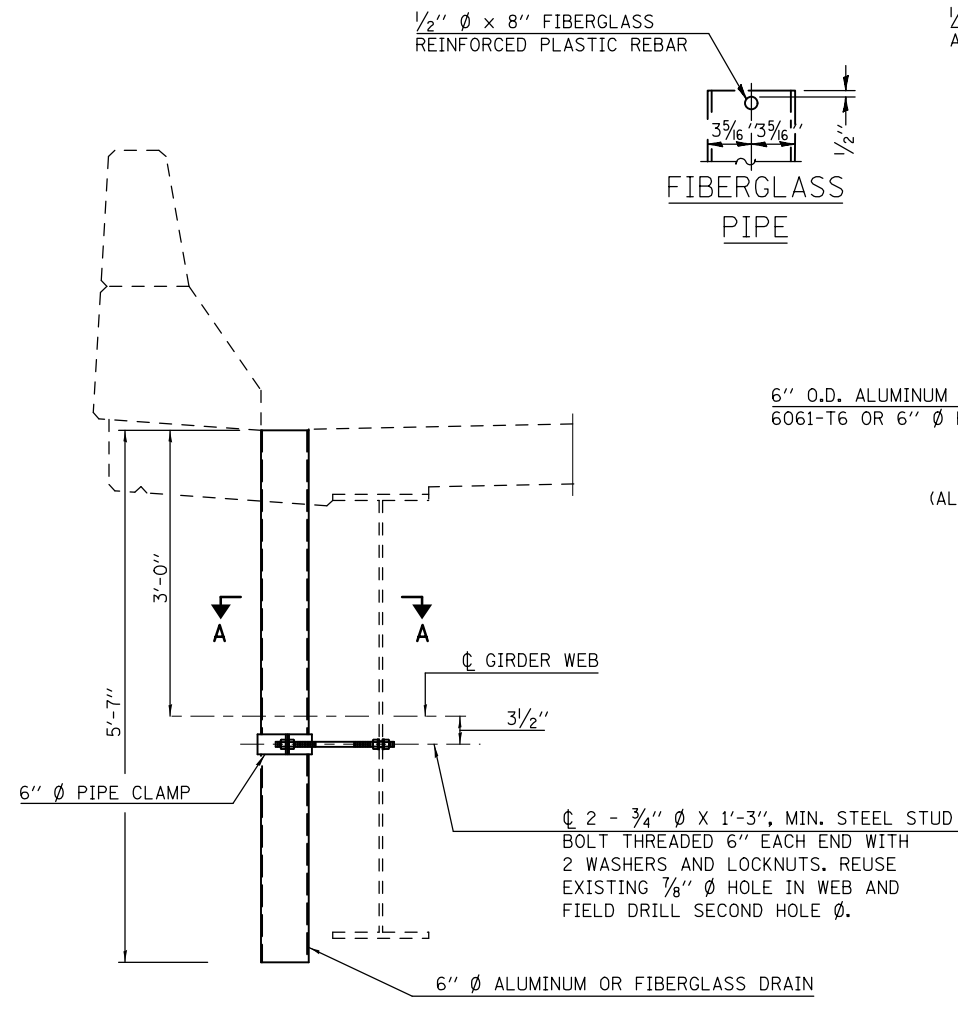


FLOOR DRAIN DETAILS

S.N. 092-0050

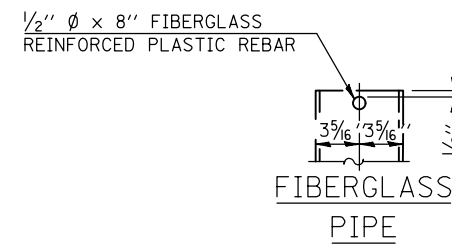


SECTION AT
EXISTING DRAIN

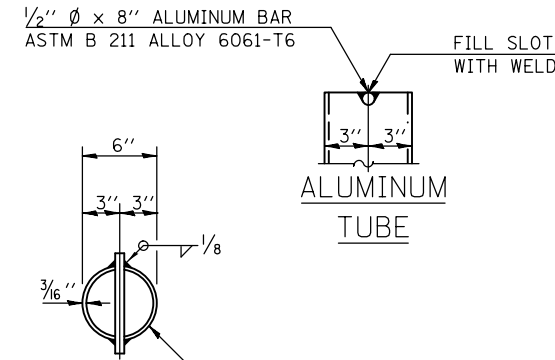


SECTION AT
PROPOSED DRAIN

TO REMOVE AND REPLACE DRAINS,
SEE CONCRETE REMOVAL DETAILS

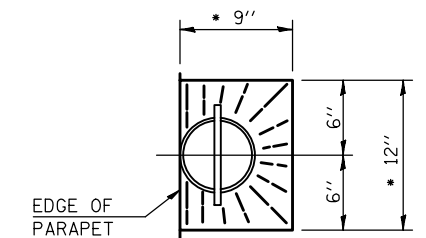


FIBERGLASS
PIPE



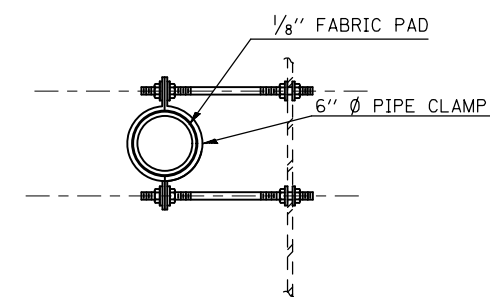
6" O.D. ALUMINUM TUBE ALLOY
6061-T6 OR 6" Ø FIBERGLASS PIPE

TOP PLAN
(ALUMINUM TUBE SHOWN)



TOP PLAN

• SLOPE TO DRAIN



SECTION A-A

SHOWING PIPE CLAMP
ANCHORAGE STYLE

NOTES:

PROPOSED FLOOR DRAIN LOCATIONS HAVE BEEN ADJUSTED APPROXIMATELY 5" TO ALLOW FOR THE REUSE OF THE EXISTING HOLES IN THE WEATHERING STEEL BEAM WEBS.

FLOOR DRAINS NEED NOT BE PAINTED.

FIBERGLASS PIPE SHALL CONFORM TO ASTM D 2996, WITH SHORT-TIME RUPTURE STRENGTH HOOP TENSILE STRESS OF 30,000 P.S.I. MINIMUM.

GALVANIZE CLAMPING DEVICE AND ALL STUD BOLTS, WASHERS AND NUTS ACCORDING TO AASHTO M232.

ALL DIMENSIONS SHALL BE FIELD VERIFIED BY THE CONTRACTOR PRIOR TO ORDERING OF MATERIALS.

BILL OF MATERIALS

ITEM	UNIT	TOTAL
FLOOR DRAINS	EACH	22.0

COST OF REMOVAL OF EXISTING DRAINS IS INCLUDED IN DECK SLAB REPAIR.