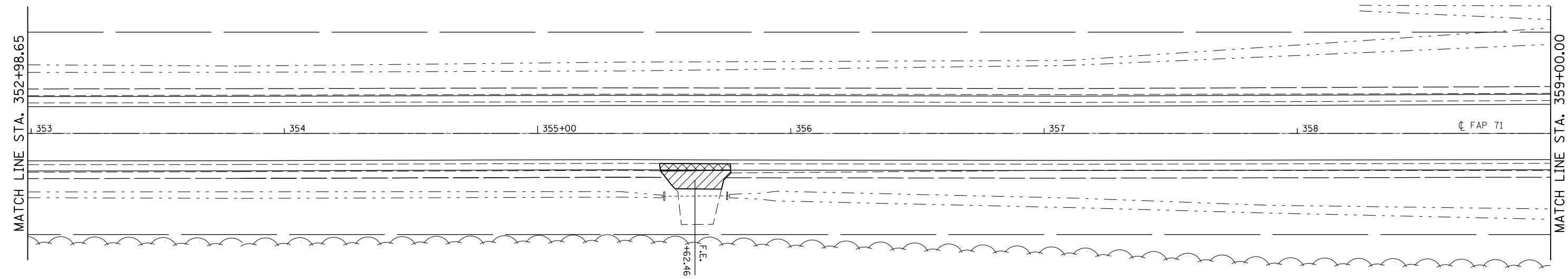
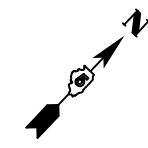
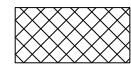
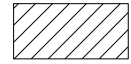


SEC. 32, T22N, R-5E, 3RD PM



 PAVEMENT REMOVAL
 HOT-MIX ASPHALT SURFACE REMOVAL, SPECIAL

SEC. 32, T22N, R-5E, 3RD PM

• DEWITT / MCLEAN

FILE NAME =	USER NAME = castrub	DESIGNED -	REVISED -
ei:\pw\work\p\dot\castrub\d0313174\057084-shr-DblPln.1.dgn		DRAWN -	REVISED -
	PLOT SCALE = 40.0000' / in.	CHECKED -	REVISED -
#MODELNAME#	PLOT DATE = 1/3/2014	DATE -	REVISED -

**STATE OF ILLINOIS
DEPARTMENT OF TRANSPORTATION**

PLAN SHEET

SCALE: SHEET OF SHEETS STA. 347+00.00 TO STA. 359+00.00

F.A.P. RTE.	SECTION	COUNTY	TOTAL SHEETS	SHEET NO.
71	(122,121)I	*	199	45
CONTRACT NO. 70984			ILLINOIS FED. AID PROJECT	