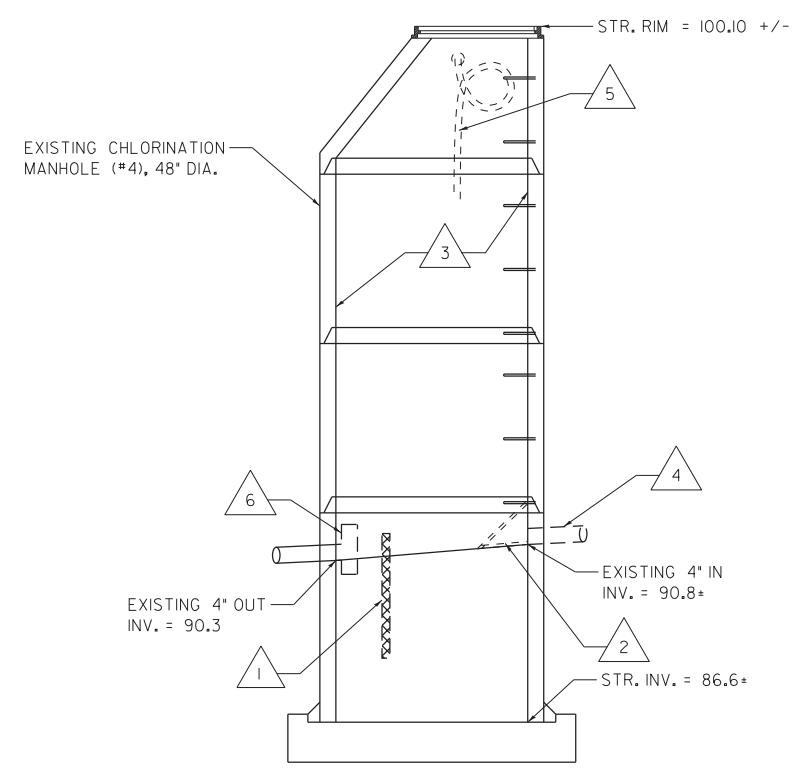


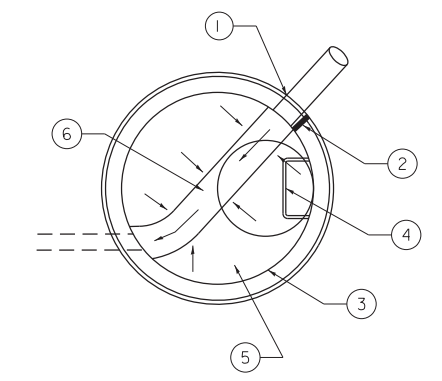
PLAN

- 1 REMOVE EXISTING BAFFLE & SEAL/GROUT WALL PENETRATIONS.
- 2 REMOVE EXISTING REMNANTS OF ABANDONED TABLET CHLORINATOR.
- 3 POWER WASH INTERIOR AND REMOVE ALL SEDIMENT AND DEBRIS.
- 4 REMOVE EXISTING INLET PIPE.
- 5 REMOVE EXISTING AERATION HOSE, PIPING AND EQUIPMENT.
- 6 REMOVE TEE/CLEANOUT FITTING.



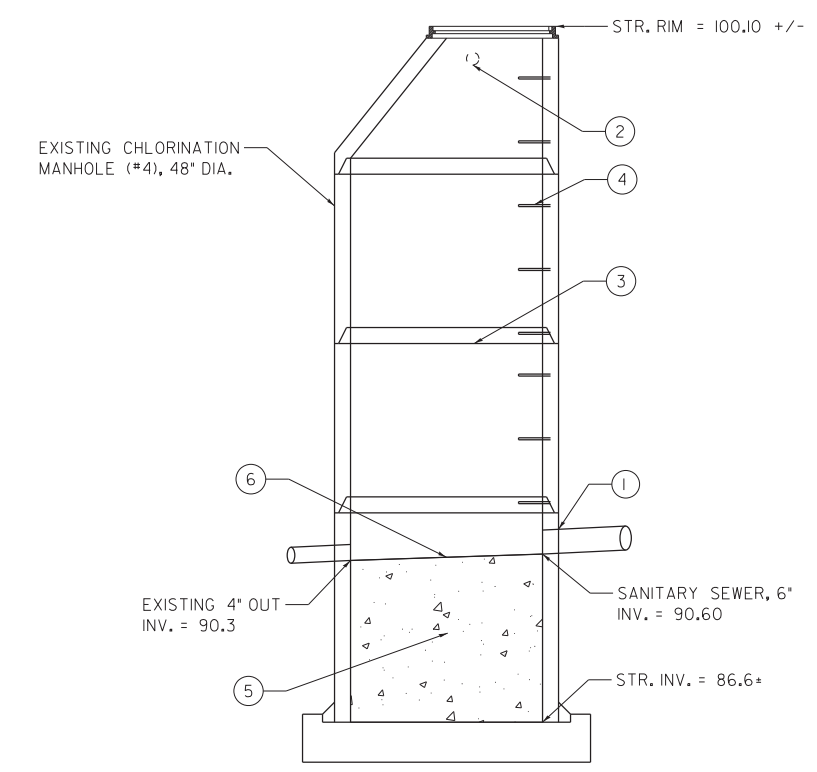
SECTION

**EXISTING CHLORINATION MANHOLE  
POWER WASHING AND DEMOLITION DETAIL**



PLAN

- 1 CORE-DRILL/EXPAND INLET FOR NEW SANITARY SEWER, 6".
- 2 GROUT AND SEAL EXISTING PENETRATIONS NO LONGER IN USE.
- 3 SEAL EXISTING MANHOLE SECTION JOINTS.
- 4 REPLACE ANY DAMAGED/LOOSE MANHOLE STEPS PER S.S. SECTION 104.
- 5 CLASS S1 CONCRETE (MISCELLANEOUS), ~ 2 CU. YD.
- 6 CREATE CONCRETE FLOW CHANNEL TO OUTLET WITH BENCH WALLS.



SECTION

**EXISTING CHLORINATION MANHOLE  
MODIFICATION DETAIL**



FILE NAME = D570A53-sht-details6.dgn	USER NAME = TKee	DESIGNED - WWS	REVISED -
Default	PLOT SCALE = 1:8000' / 1"	DRAWN - TDK	REVISED -
	PLOT DATE = 1/15/2014	CHECKED - BEP	REVISED -
		DATE - 12-13-2013	REVISED -

**STATE OF ILLINOIS  
DEPARTMENT OF TRANSPORTATION**

<b>EXISTING CHLORINATION MANHOLE MODIFICATION DETAILS</b>			
SCALE: NTS	SHEET 1 OF 1 SHEETS	STA.	TO STA.

F.A.I. RTE.	SECTION	COUNTY	TOTAL SHEETS	SHEET NO.
55	FUNKS GROVE RA IMP. 2014-	MC LEAN	17	15
				CONTRACT NO. 70A53
ILLINOIS FED. AID PROJECT				