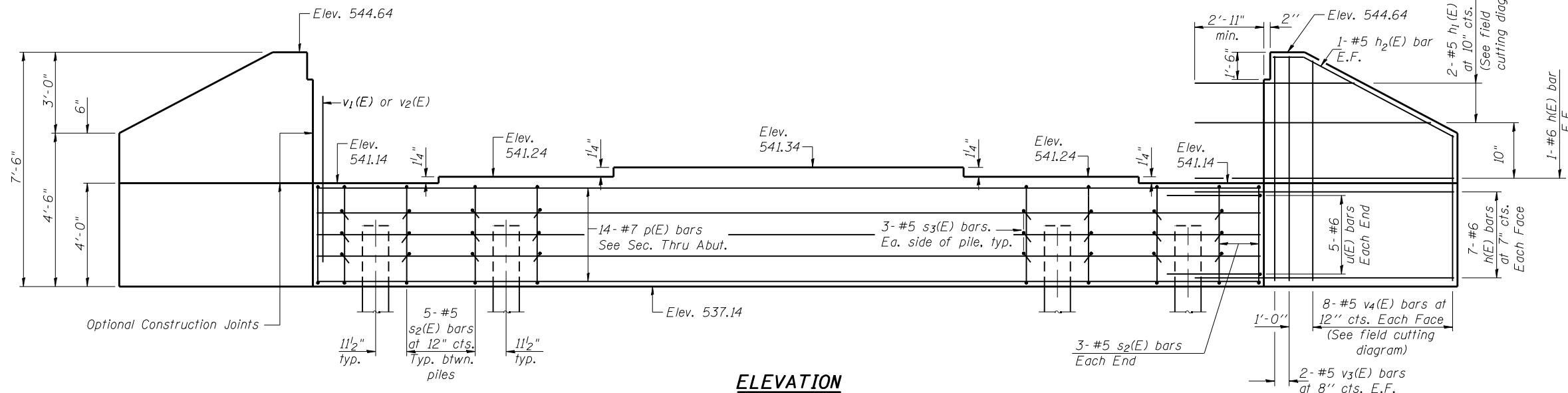
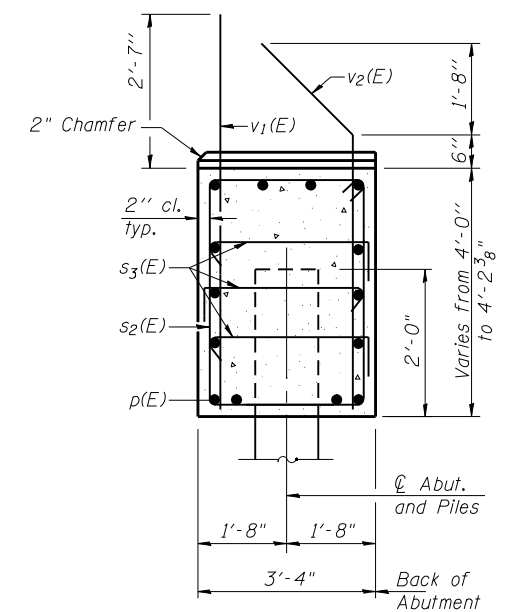


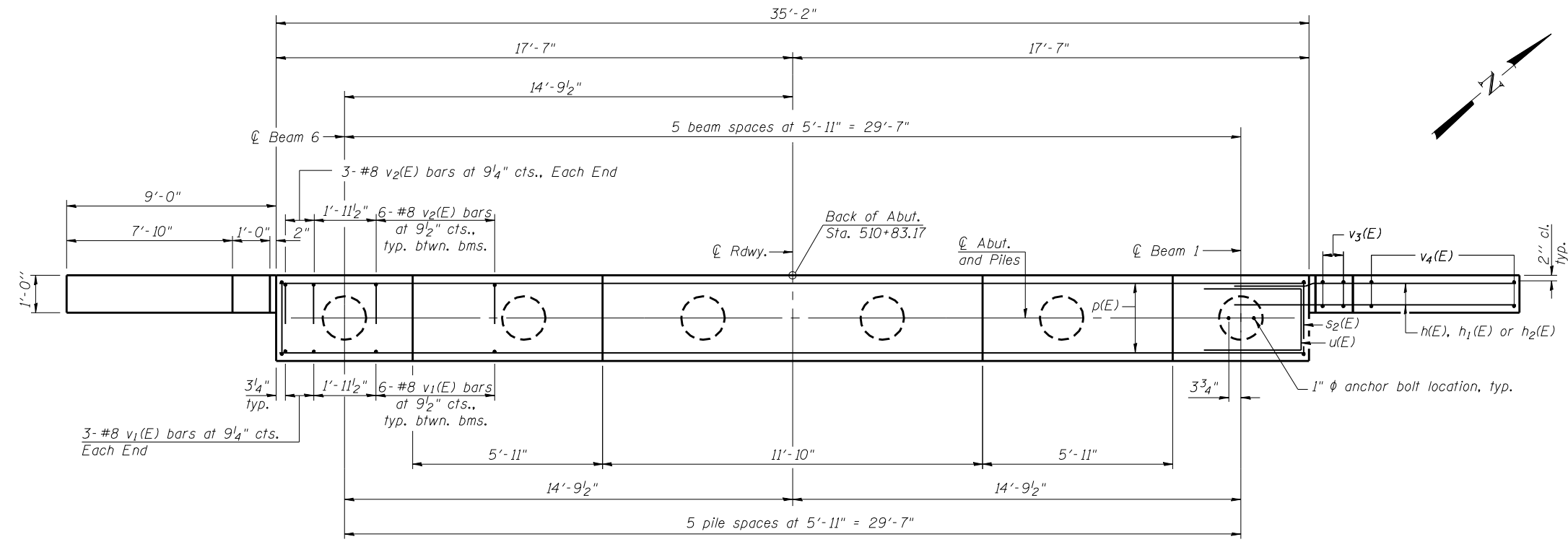
Notes:
Pour steps monolithically with cap.



ELEVATION



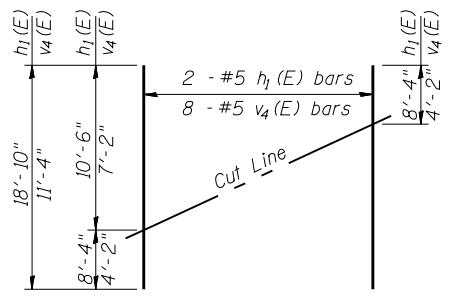
SEC. THRU ABUT.



PLAN

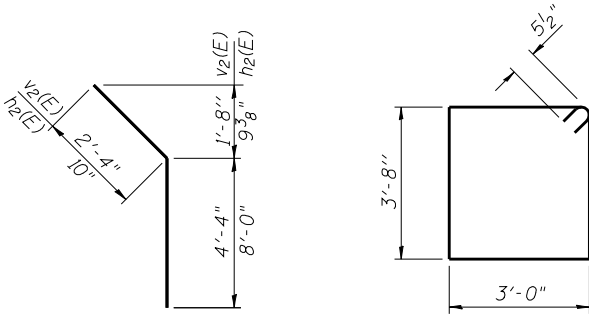
PILE DATA

Type: Metal Shell-14" x 0.250" with Pile Shoes
Nominal Required Bearing: 300 kip
Factored Resistance Available: 165 kip
Est. Length: 24 ft.
No. Production Piles: 5
No. Test Piles: 1

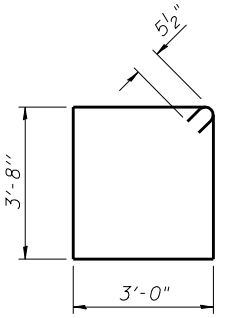


FIELD CUTTING DIAGRAM

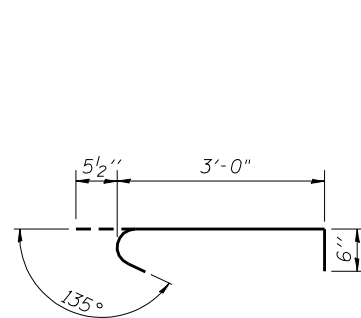
Order h1(E) and v4(E) full length. Cut as shown and use remainder of bars in opposite face.



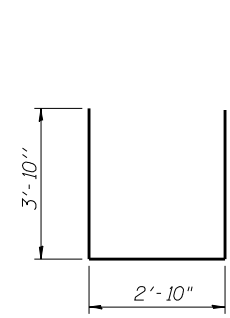
BAR v2(E) & h2(E)



BAR s2(E)



BAR s3(E)



BAR u(E)

BILL OF MATERIAL

Bar	No.	Size	Length	Shape
h(E)	32	#6	11'-11"	—
h1(E)	4	#5	18'-10"	—
h2(E)	4	#5	8'-10"	—
p(E)	14	#7	34'-10"	—
s2(E)	31	#5	14'-3"	□
s3(E)	36	#5	4'-0"	┌
u(E)	10	#6	10'-6"	—
v1(E)	36	#8	6'-5"	—
v2(E)	36	#8	6'-8"	┌
v3(E)	8	#5	7'-2"	—
v4(E)	16	#5	11'-4"	—
Structure Excavation		Cu. Yd.	92	
Concrete Structures		Cu. Yd.	21.5	
Reinforcement Bars, Epoxy Coated		Pound	3960	
Furnishing Metal Shell Piles 14" x 0.250"		Foot	120	
Driving Piles		Foot	120	
Test Pile Metal Shells		Each	1	
Pile Shoes		Each	6	

For details of piles see sheet 19 of 23.

AI-2440-0
8-31-12
Coombe-Bloxdorf P.C.
CIVIL ENGINEERS-
STRUCTURAL ENGINEERS-
LAND SURVEYORS
Design Firm License No. 184-002703

USER NAME = .MML.	DESIGNED - AMC	REVISED -
PLOT SCALE = 0.1667' / IN.	CHECKED - MCB	REVISED -
PLOT DATE = 10/23/2013	DRAWN - MML	REVISED -
	CHECKED - MCB	REVISED -

STATE OF ILLINOIS
DEPARTMENT OF TRANSPORTATION

WEST ABUTMENT
STRUCTURE NO. 054-0515
SHEET NO. 15 OF 23 SHEETS

F.A.P. RTE.	SECTION	COUNTY	TOTAL SHEETS	SHEET NO.
717	102B-1, 102CR, 102BR-2/RS-5	LOGAN	218	69
CONTRACT NO. 72B82				
ILLINOIS FED. AID PROJECT				