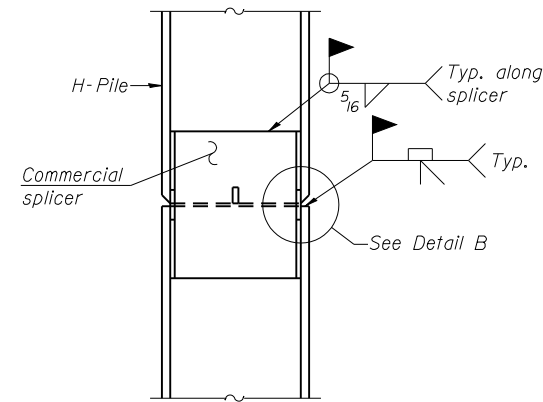
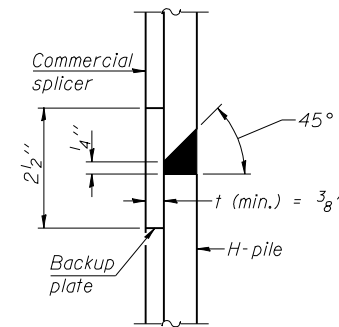


STEEL PILE TABLE

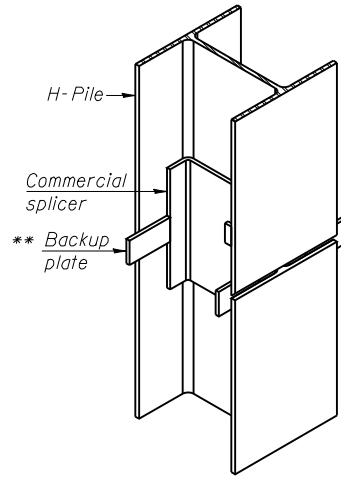
Designation	Depth d	Flange width br	Web and Flange thickness t	Encasement diameter A
HP 14x117	14 1/4"	14 7/8"	13/16"	30"
x102	14"	14 3/4"	1/16"	30"
x89	13 7/8"	14 3/4"	5/8"	30"
x73	13 5/8"	14 5/8"	1/2"	30"
HP 12x84	12 1/4"	12 1/4"	1/16"	24"
x74	12 1/8"	12 1/4"	5/8"	24"
x63	12"	12 1/8"	1/2"	24"
x53	11 3/4"	12"	7/16"	24"
HP 10x57	10"	10 1/4"	9/16"	24"
x42	9 3/4"	10 1/8"	7/16"	24"
HP 8x36	8"	8 1/8"	7/16"	18"



ELEVATION

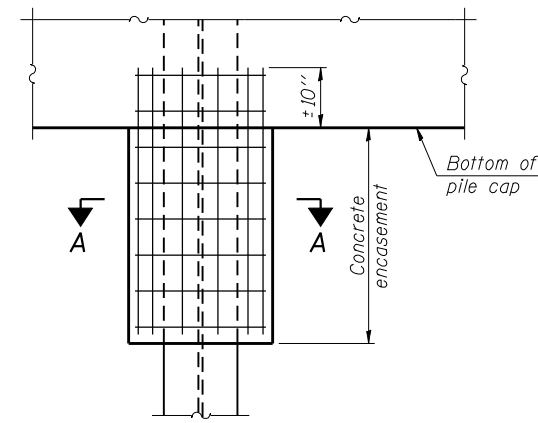


DETAIL "B"



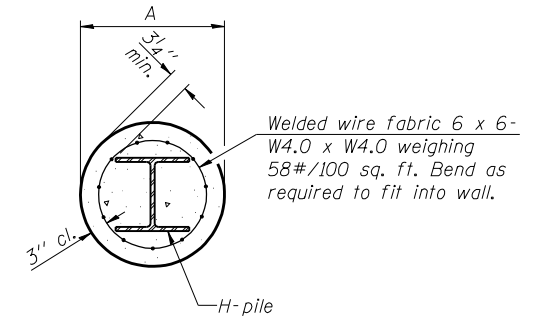
ISOMETRIC VIEW

WELDED COMMERCIAL SPLICE



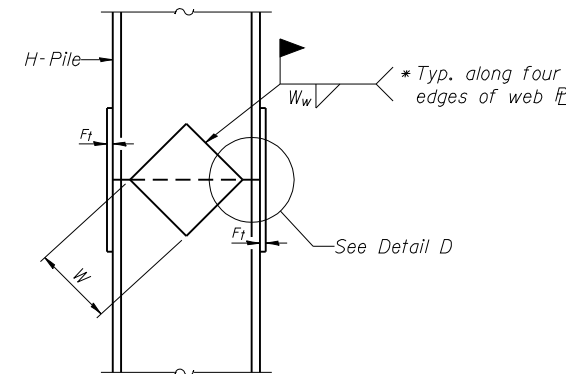
ELEVATION

PILE ENCASEMENT

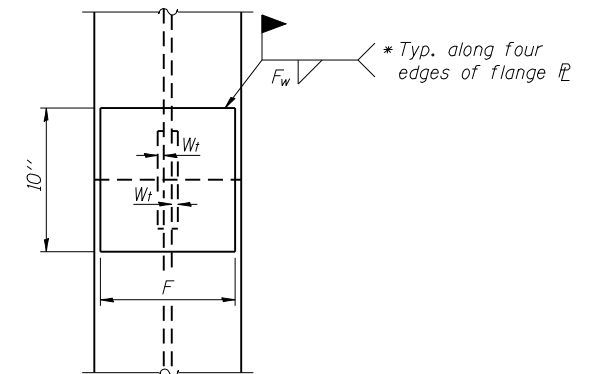


SECTION A-A

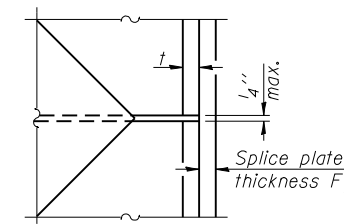
Note: Forms for encasement may be omitted when soil conditions permit.



ELEVATION



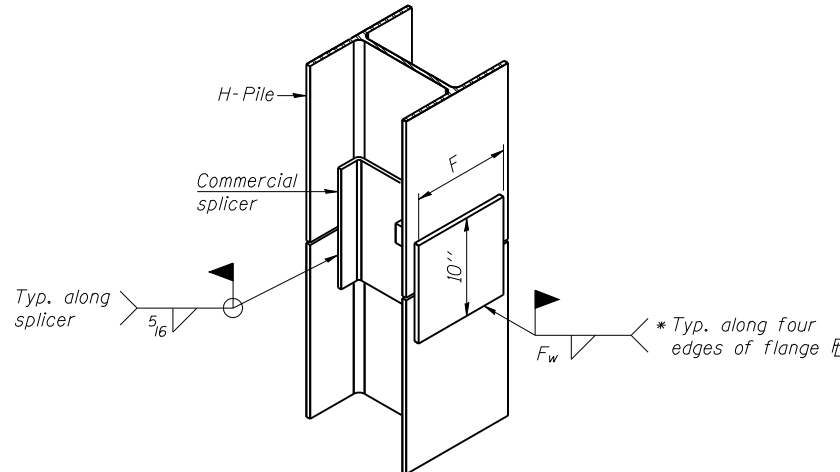
END VIEW



DETAIL D

WELDED PLATE FIELD SPLICE

Designation	F	Ft	Fw	W	Wt	Ww
HP 14x117	12 1/2"	1"	7/8"	7 3/4"	5/8"	1/2"
x102	12 1/2"	7/8"	3/4"	7 3/4"	5/8"	1/2"
x89	12 1/2"	3/4"	1/16"	7 3/4"	5/8"	1/2"
x73	12 1/2"	5/8"	9/16"	7 3/4"	5/8"	1/2"
HP 12x84	10"	7/8"	1/16"	6 1/2"	5/8"	1/2"
x74	10"	7/8"	1/16"	6 1/2"	5/8"	1/2"
x63	10"	5/8"	1/2"	6 1/2"	1/2"	3/8"
x53	10"	5/8"	1/2"	6 1/2"	1/2"	3/8"
HP 10x57	8"	3/4"	9/16"	5 1/4"	1/2"	3/8"
x42	8"	5/8"	9/16"	5 1/4"	1/2"	3/8"
HP 8x36	7"	5/8"	7/16"	4 1/4"	1/2"	3/8"

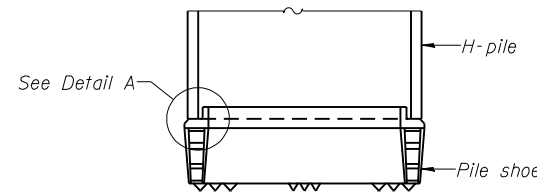


ISOMETRIC VIEW

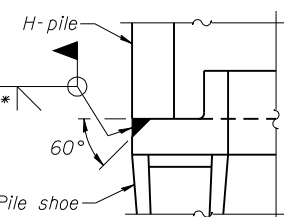
WELDED COMMERCIAL SPLICE ALTERNATE

- * Interrupt welds 1/4" from end of web and/or each flange.
- ** Remove portions of backup plates that extend outside the flanges.
- *** Weld size per pile shoe manufacturer (5/16" min.).

Note: The steel H-piles shall be according to AASHTO M270 Grade 50.



ELEVATION



DETAIL A

H-PILE SHOE ATTACHMENT

FILE NAME = 72882-018-11.mxd
 PROJECT NO. 07284-B

F-HP
 Coombe-Bloxdorf P.C.
 CIVIL ENGINEERS-
 STRUCTURAL ENGINEERS-
 LAND SURVEYORS
 Design Firm License No. 184-002703

1-27-12

USER NAME = .MML	DESIGNED - AMC	REVISD -
PLOT SCALE = 0.1667' / IN.	CHECKED - MCB	REVISD -
PLOT DATE = 10/23/2013	DRAWN - MML	REVISD -
	CHECKED - MCB	REVISD -

**STATE OF ILLINOIS
 DEPARTMENT OF TRANSPORTATION**

**HP PILE DETAILS
 STRUCTURE NO. 054-0515**

SHEET NO. 18 OF 23 SHEETS

F.A.P. RTE.	SECTION	COUNTY	TOTAL SHEETS	SHEET NO.
717	(102B-1, 102CR, 102BR-2)RS-5	LOGAN	218	72
CONTRACT NO. 72B82				
ILLINOIS FED. AID PROJECT				