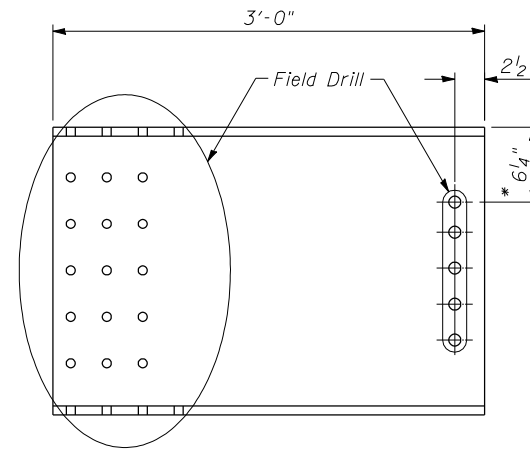
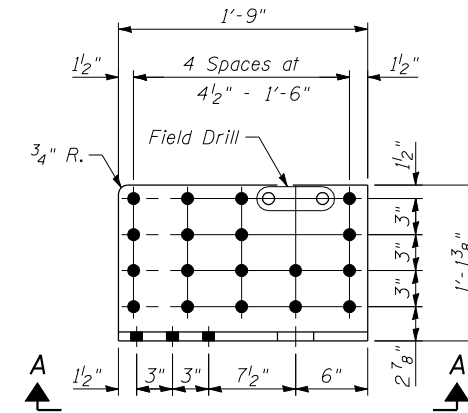


BEAM SEGMENT A
Cut from W24x84
(8 Required)

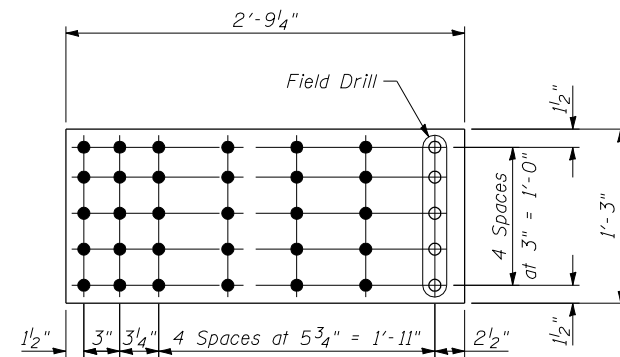


BEAM SEGMENT B
Cut from W24x84
(2 Required)

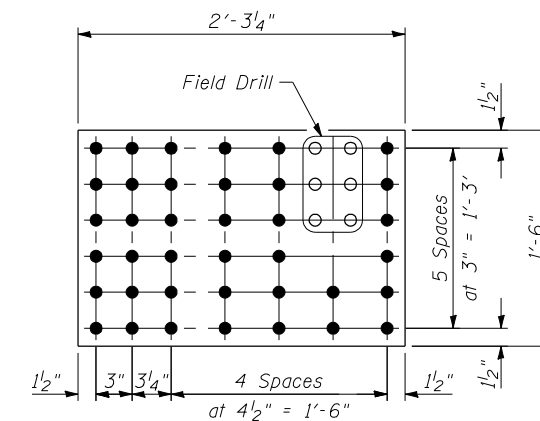


BEAM SEGMENT C
Cut from W24x84
(2 Required)

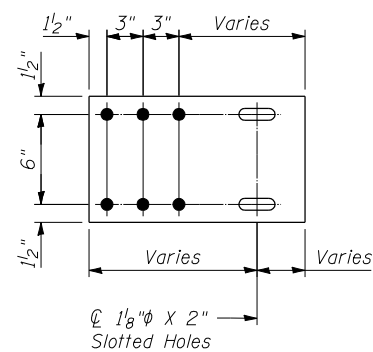
* Verify dimension by measuring on existing beam to be removed



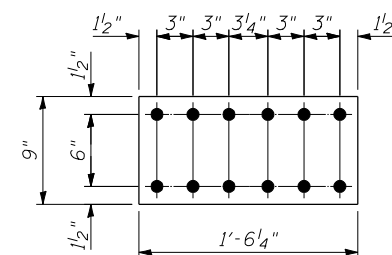
WEB SPLICE PLATE A
P 1/2" x 1'-3" x 2'-9 1/4"
(16 Required)



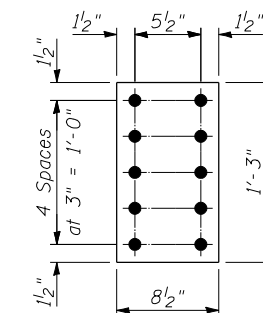
WEB SPLICE PLATE C
P 1/2" x 1'-6" x 2'-3 1/4"
(4 Required)



VIEW A-A



BOTTOM FLANGE SPLICE PLATE
P 3/4" x 9" x 1'-6 1/4"
(10 Required)



TIE PLATE
P 5/16" x 8 1/2" x 1'-3"
(10 Required)

FILE NAME = 72082-011-repair-details.dgn
PROJECT NO. 07084-3

Coombe-Bloxdorf P.C.
- CIVIL ENGINEERS -
- STRUCTURAL ENGINEERS -
- LAND SURVEYORS -
Design Firm License No. 184-002703

USER NAME = .MML.	DESIGNED - GJB	REVISED -
PLOT SCALE = 1/4" = 1'-0"	CHECKED - MCB	REVISED -
PLOT DATE = 10/23/2013	DRAWN - CFC	REVISED -
	CHECKED - MCB/CME	REVISED -

STATE OF ILLINOIS
DEPARTMENT OF TRANSPORTATION

REPAIR DETAILS
STRUCTURE NO. 054-0009

SHEET NO. 11 OF 13 SHEETS

F.A.P. RTE.	SECTION	COUNTY	TOTAL SHEETS	SHEET NO.
717	(102B-1, 102CR, 102BR-2RS-5)	LOGAN	218	88
CONTRACT NO. 72B82				

ILLINOIS FED. AID PROJECT