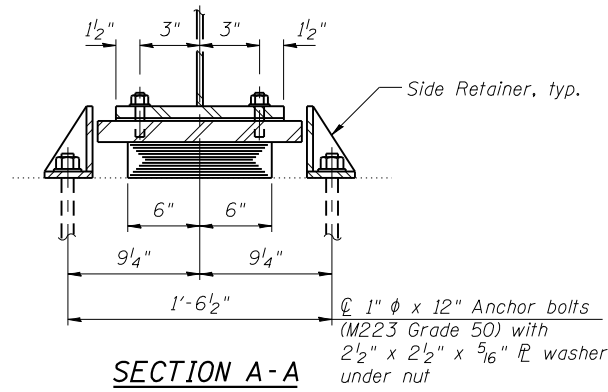
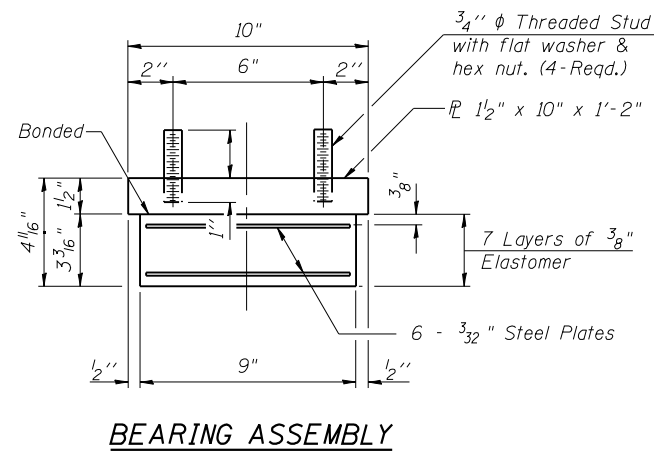


ELEVATION AT REPAIR C



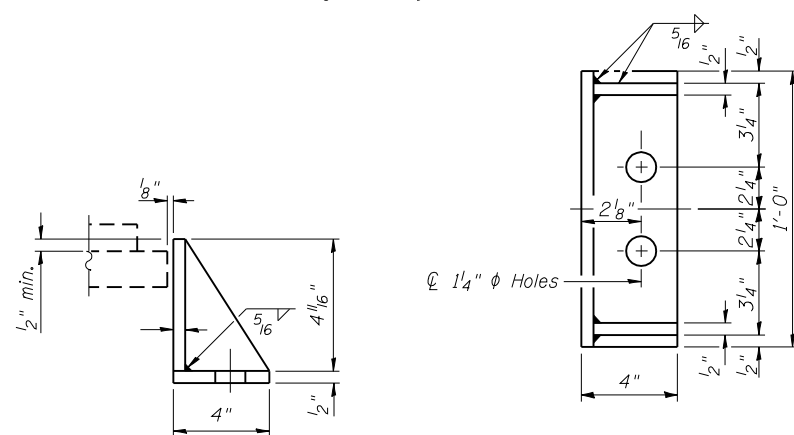
SECTION A-A

TYPE I ELASTOMERIC EXP. BRG. AT REPAIR C



BEARING ASSEMBLY

Note:
Shim plates shall not be placed under Bearing Assembly.

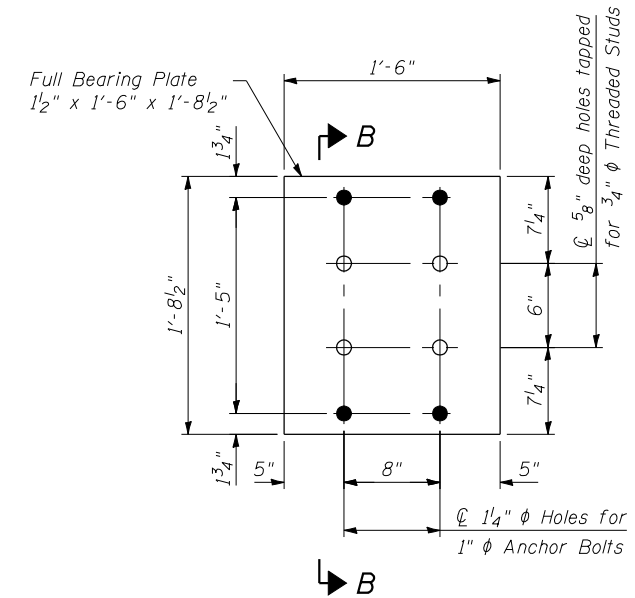


SIDE RETAINER

Equivalent rolled angle with stiffeners will be allowed in lieu of welded plates.

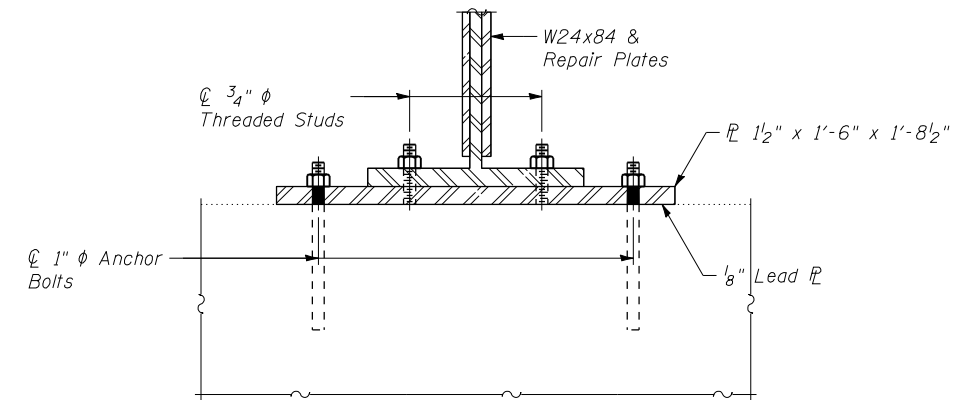
Note:
See Sheet 10 of 13 for Reaction Table.

Notes:
Anchor bolts shall be ASTM F1554 all-thread (or an Engineer-approved alternate material) of the grade(s) and diameter(s) specified. The corresponding specified grade of AASHTO M314 anchor bolts may be used in lieu of ASTM F1554.
Anchor bolts will be installed in holes drilled after the supported member is in place.
Drilled and set anchor bolts shall be installed according to Article 521.06 of the Standard Specifications.
Side retainers and other steel members required for the elastomeric bearing assembly shall be included in the cost of Elastomeric Bearing Assembly, Type I.
Cut existing anchor bolts at repair areas flush with the top of the concrete bearing seat. Cost included with Anchor Bolts, 1".
Removal of existing bearings under each repair shall be included in the cost of Structural Steel Repair.



BEARING PLATE DETAIL AT REPAIRS A & B

(5 Required)



SECTION B-B

BILL OF MATERIAL

Item	Unit	Total
Elastomeric Bearing Assembly Type I	Each	2
Anchor Bolts, 1"	Each	28

FILE NAME = 72082-013-bearing details.dgn
PROJECT NO. 07084-3

Coombe-Bloxdorf P.C.
- CIVIL ENGINEERS -
- STRUCTURAL ENGINEERS -
- LAND SURVEYORS -
Design Firm License No. 184-002703

USER NAME = .CFC.	DESIGNED - GJB	REVISED -
	CHECKED - MCB	REVISED -
PLOT SCALE = 0:2.000000 '1' / IN.	DRAWN - CFC	REVISED -
PLOT DATE = 1/8/2014	CHECKED - MCB/CME	REVISED -

STATE OF ILLINOIS
DEPARTMENT OF TRANSPORTATION

BEARING DETAILS
STRUCTURE NO. 054-0009

SHEET NO. 13 OF 13 SHEETS

F.A.P. RTE.	SECTION	COUNTY	TOTAL SHEETS	SHEET NO.
717	(102B-1, 102CR, 102BR-2RS-5)	LOGAN	218	90
CONTRACT NO. 72B82				
ILLINOIS FED. AID PROJECT				