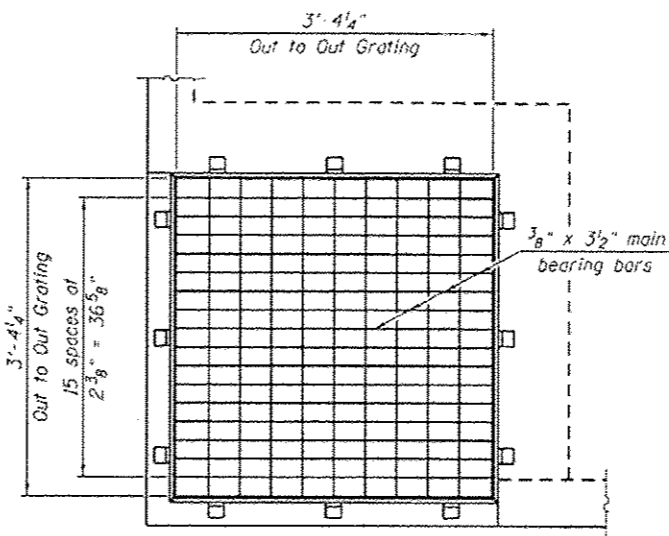
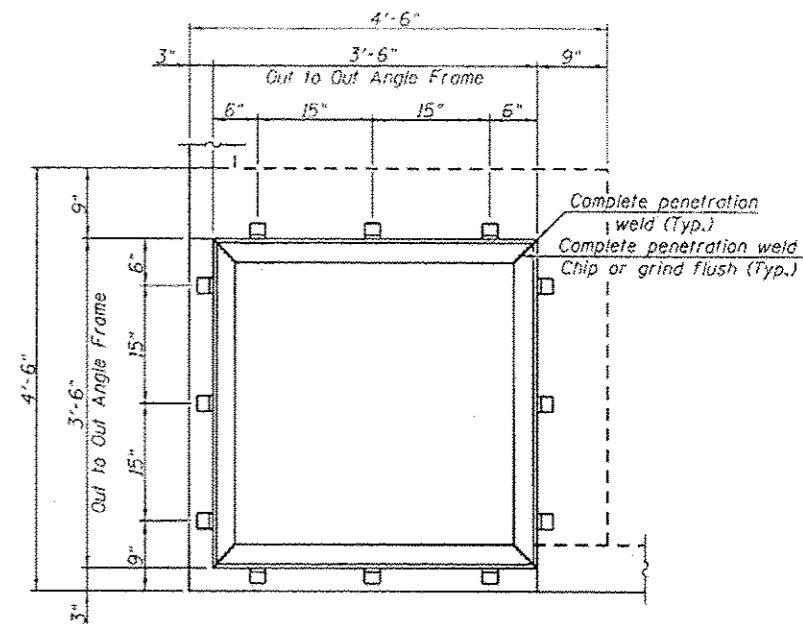


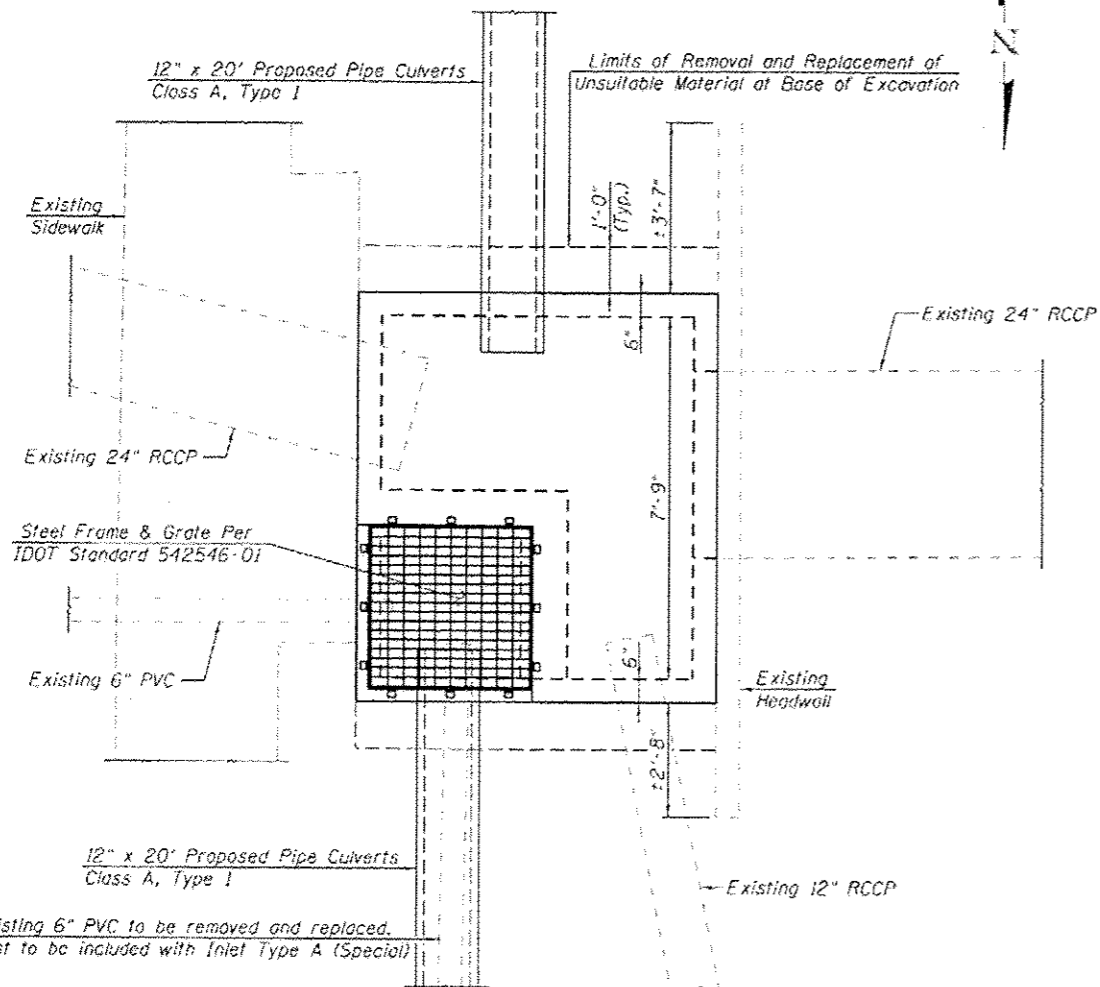
ELEVATION



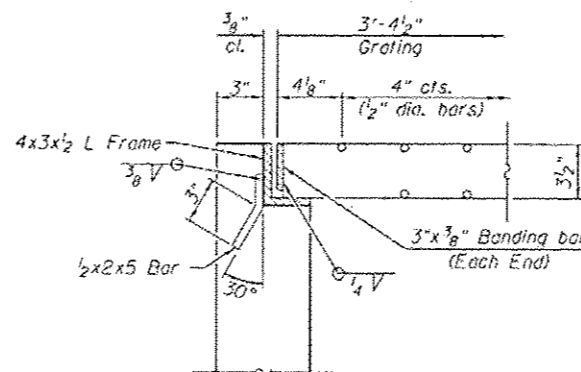
STEEL FRAME & GRATE
(Per IDOT Standard 542546-01)



Note: The limits and quantities of removal and replacement may be modified by the District Geotechnical and Field Engineers for variable subsurface conditions encountered in the field.



PLAN



SECTION THRU STEEL FRAME & GRATE

TOTAL BILL OF MATERIAL

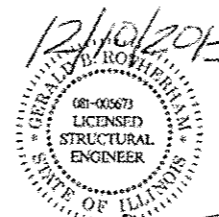
Item	Unit	Quantity
Flush Inlet Box Special	Each	1
Removal and Disposal of Unsuitable Material for Structures	Cu. Yd.	3.1
Rockfill - Foundation	Tons	6

DESIGN STESSES

$f'_c = 3,500$ psi
 $f_y = 60,000$ psi (Reinforcement)

GENERAL NOTES

Reinforcement bars designated (E) shall be epoxy coated.
Plan dimensions and details relative to existing plans are subject to nominal construction variations. The Contractor shall field verify existing dimensions and details affecting new construction and make necessary approved adjustments prior to construction or ordering of materials. Such variations shall not be cause for additional compensation for a change in scope of the work, however, the Contractor will be paid for the quantity actually furnished at the unit price bid for the work.



12/10/2013
Gerardo B. Rothermel
EXPIRATION: 11/30/2014

DESIGNED	CHECKED	REVISIONS	DATE	PROJECT NAME	SECTION	COUNTY	TOTAL SHEETS	SHEET NO.
CHECKED	DRAWN	REVISIONS	DATE	STRUCTURE DETAILS	D6 DE MISC 2014		22	11
CHECKED								



Allen Henderson & Associates, Inc.
Civil and Structural Engineers Springfield, IL
62703 Phone: (217)544-8033 IL Design Firm
No. 184-001907

STRUCTURE DETAILS

SHEET NO. 1 OF 4 SHEETS

ILLINOIS FED. AID PROJECT	CONTRACT NO. 72064
MACON (P/N)/M/F/NARR	