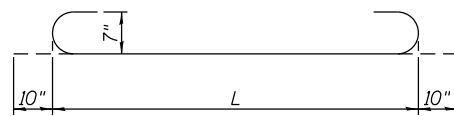


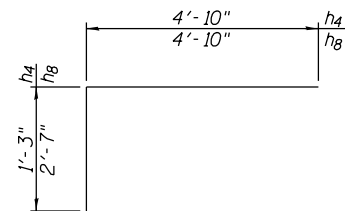
PLAN - WALLS

Note: Top Slab, L Frame & Pipes not shown for clarity.

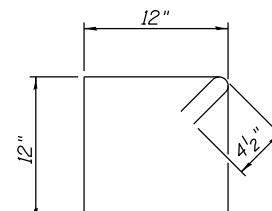
Bar	L
a	4'-6"
a ₁	8'-5"
a ₂	7'-4"
a ₃	3'-5"



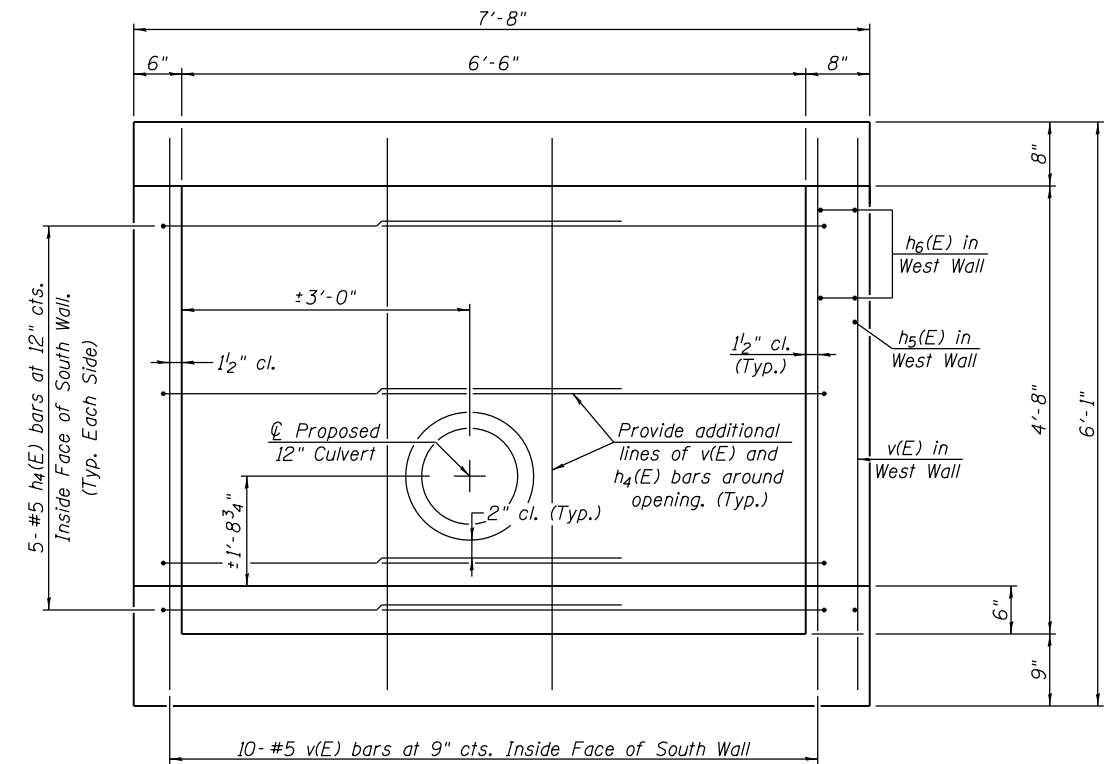
a, a₁, a₂ & a₃ BARS



a₄ & a₈ BARS



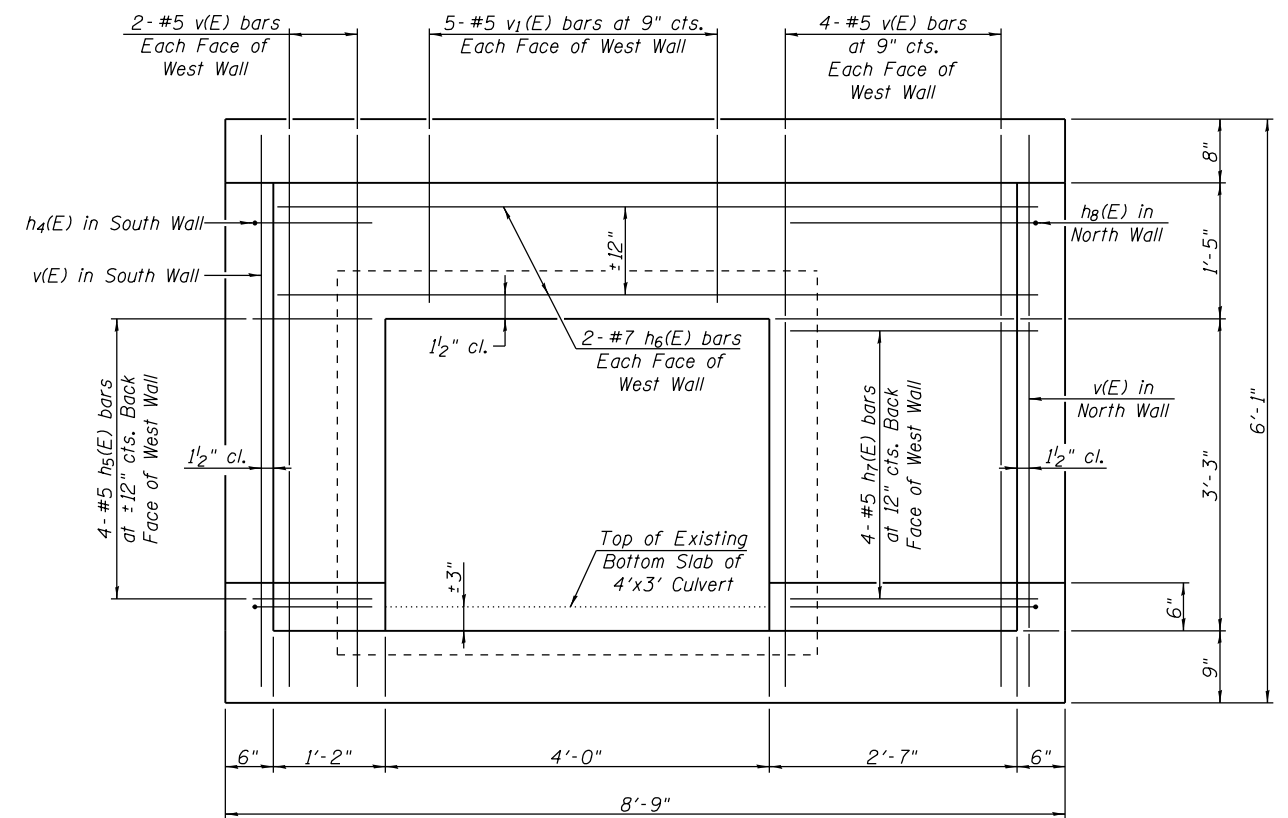
s BAR



SECTION C-C

(Showing Wall Reinforcement Only)

Note: Cut reinforcement in field as required to fit.



SECTION D-D

(Showing Wall Reinforcement Only)