

STATE OF ILLINOIS
DEPARTMENT OF TRANSPORTATION
DIVISION OF HIGHWAYS
PROPOSED
HIGHWAY PLANS

FOR INDEX OF SHEETS, SEE SHEET NO. 2

ADT=1,000

FAS ROUTE 2801 (ILL RT 128)
D7 DRAINAGE REHAB 2014-1

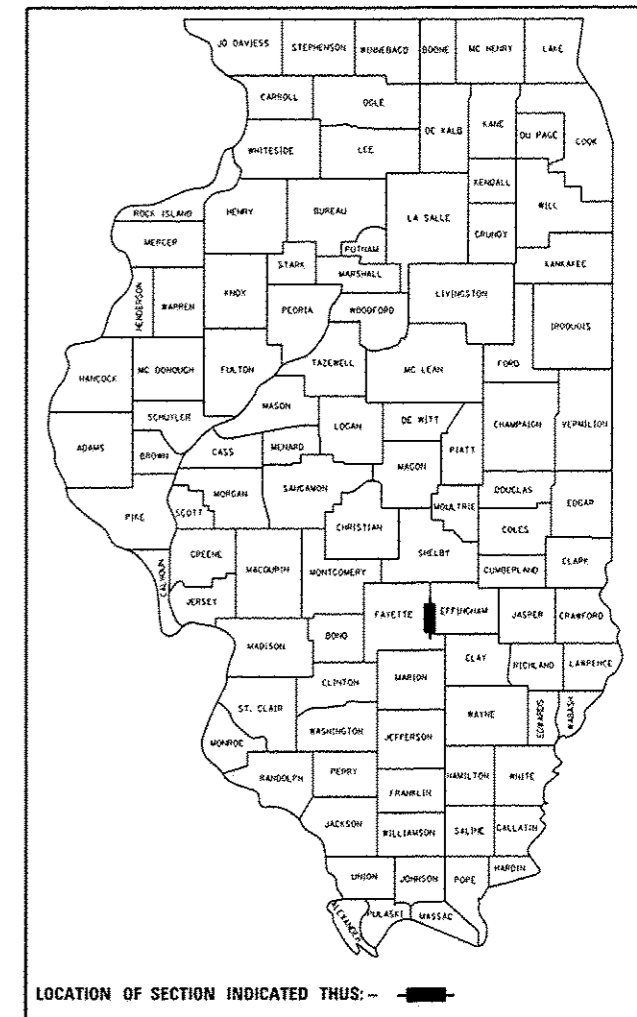
PAVEMENT WIDENING & GUTTER REPLACEMENT
EFFINGHAM & FAYETTE COUNTIES

C-97-073-13

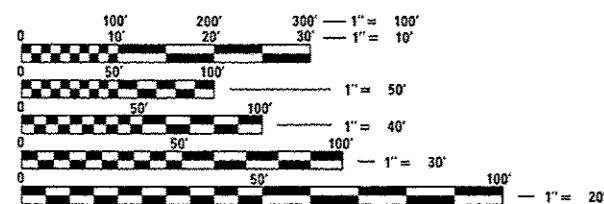
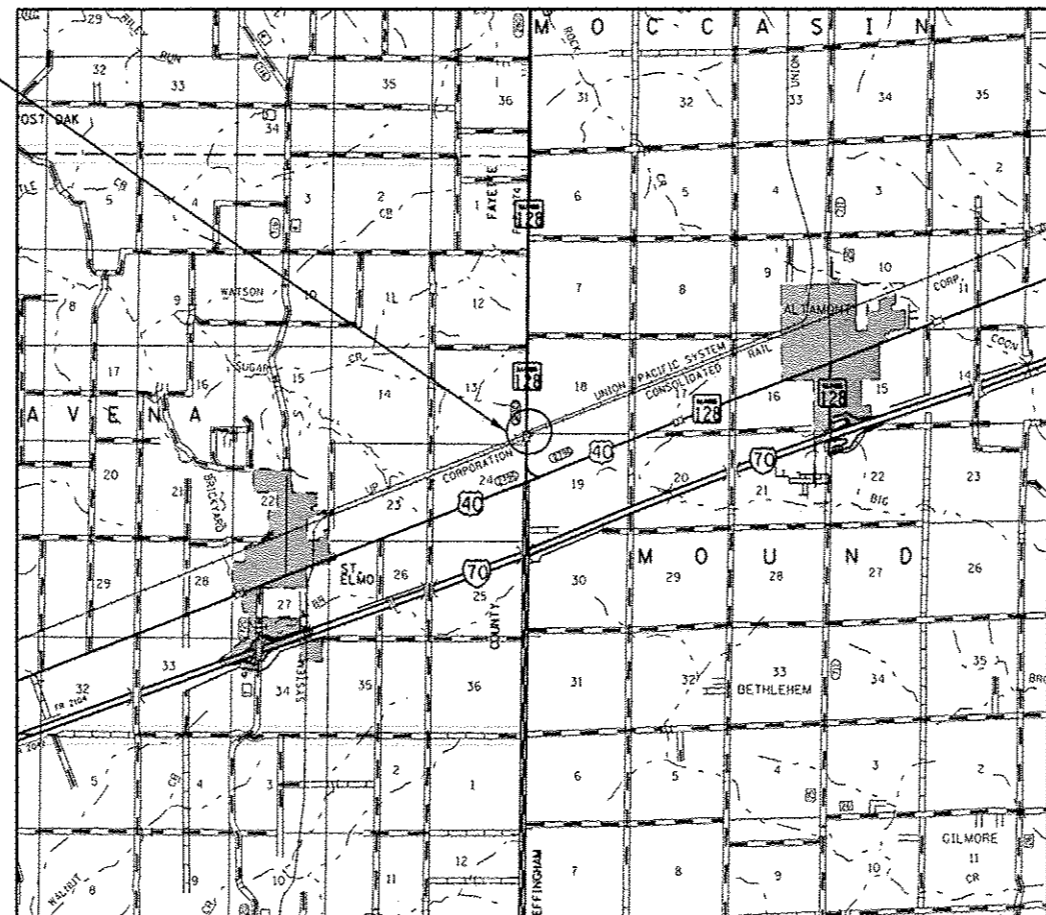
F.A.S. RTE.	SECTION	COUNTY	TOTAL SHEETS	SHEET NO.
2801		**	22	1
			ILLINOIS	CONTRACT NO. 74627

*D7 DRAINAGE REHAB 2014-1
 **EFFINGHAM, FAYETTE

D-97-027-13



LOCATION OF PROJECT



FULL SIZE PLANS HAVE BEEN PREPARED USING STANDARD ENGINEERING SCALES. REDUCED SIZED PLANS WILL NOT CONFORM TO STANDARD SCALES. IN MAKING MEASUREMENTS ON REDUCED PLANS, THE ABOVE SCALES MAY BE USED.

J.U.L.I.E.
 JOINT UTILITY LOCATION INFORMATION FOR EXCAVATION
 1-800-892-0123
 OR 811

PROJECT ENGINEER: MARK DAUGHERTY
 PROJECT MANAGER: BRIAN LEWIS

CONTRACT NO. 74627

GROSS LENGTH = 1102 FT. = 0.21 MILE
 NET LENGTH = 1102 FT. = 0.21 MILE

STATE OF ILLINOIS
 DEPARTMENT OF TRANSPORTATION
 DIVISION OF HIGHWAYS

SUBMITTED Dec 18 2013
Roger L. Orshel 1003
 DEPUTY DIRECTOR OF HIGHWAYS, REGION ENGINEER

Jan 24 2014
Jahon D. Baranzelli P.E. &
 ENGINEER OF DESIGN AND ENVIRONMENT

Jan 24 2014
Omer Osman P.E. &
 DIRECTOR OF HIGHWAYS, CHIEF ENGINEER

PRINTED BY THE AUTHORITY
OF THE STATE OF ILLINOIS

GENERAL NOTES

THIS SECTION SHALL BE CONSTRUCTED IN ACCORDANCE WITH THE PLANS, THE "STANDARD SPECIFICATIONS FOR ROAD AND BRIDGE CONSTRUCTION", ADOPTED JANUARY 1, 2012; THE "SUPPLEMENTAL SPECIFICATIONS AND RECURRING SPECIAL PROVISIONS" INDICATED ON THE CHECK SHEET, AND THE SPECIAL PROVISIONS INCLUDED IN THE PROPOSAL.

THE WORK IN SECTION 07 DRAINAGE REHAB 2014-1 INCLUDES PAVEMENT & GUTTER REMOVAL, PCC PAVEMENT USING STAGE CONSTRUCTION, PATCHING, STORM SEWER, BASE COURSE WIDENING, AND OTHER WORK NECESSARY TO COMPLETE THIS SECTION.

THE PROPOSED PROJECT BEGINS APPROXIMATELY 0.5 MILES NORTH OF U.S. 40 AND EXTENDS NORTH 0.2 MILES.

A RAILROAD FLAGGER SHALL BE PRESENT WHEN CONSTRUCTION EQUIPMENT IS IN USE WITHIN 25 FEET OF THE RAILROAD STRUCTURES.

BASE COURSE WIDENING (50 YD) SHALL INCLUDE ALL EXCAVATION FOR CONSTRUCTION OF THE WIDENING. REMOVAL OF PCC BASE COURSE WIDENING WILL BE PAID FOR AS PAVEMENT REMOVAL.

THE REFLECTIVE LENS OF ALL RAISED REFLECTIVE PAVEMENT MARKERS IN CONFLICT WITH THE STAGE TRAFFIC CONTROL SHALL BE REMOVED PRIOR TO STAGE 1 CONSTRUCTION. THIS WORK WILL BE PAID FOR AT THE CONTRACT UNIT PRICE EACH FOR RAISED REFLECTIVE PAVEMENT MARKERS, REFLECTOR REMOVAL.

THE ACTUAL LOCATIONS OF PAVEMENT PATCHING SHALL BE DETERMINED BY THE ENGINEER IN THE FIELD.

ALL ELEVATIONS SHOWN IN PLANS ARE BASED ON U.S.G.S. DATUM.

ALL DISTURBED AREAS WITHIN THE CONSTRUCTION LIMITS SHALL BE FERTILIZED AND SEEDED. SEEDING SHALL BE CLASS 2 (SPECIAL) IN ACCORDANCE WITH THE SPECIAL PROVISIONS AND THE APPLICABLE ARTICLES OF SECTION 250 OF THE STANDARD SPECIFICATIONS.

THE LOCATIONS AND/OR DEPTHS OF UNDERGROUND UTILITIES SHOWN HAVE BEEN TAKEN FROM INFORMATION FURNISHED BY THE UTILITY OWNERS AND MUST BE CONSIDERED APPROXIMATE. FIELD MARKINGS OF UTILITIES IN CRITICAL AREAS MAY BE OBTAINED BY PROVIDING A MINIMUM OF 96 HOURS ADVANCE NOTICE THROUGH THE J.U.L.I.E. SYSTEM BY CALLING 800-892-0123.

THE CONTRACTOR SHALL PROVIDE INTERNET ACCESS TO THE BITUMINOUS PLANT QUALITY CONTROL LAB SO THAT BITUMINOUS PLANT REPORTS CAN BE E-MAILED TO THE DISTRICT HEADQUARTERS. THIS WORK WILL NOT BE PAID FOR SEPARATELY BUT SHALL BE INCLUDED IN THE UNIT PRICES FOR OTHER ITEMS IN THE CONTRACT.

THE FOLLOWING MIXTURE REQUIREMENTS ARE APPLICABLE TO THIS PROJECT:

APPLICATION	AC/PG	DESIGN AIR VOIDS	MIXTURE COMPOSITION	FRICTION AGGREGATE
PATCHING	PG 64-22	4.0% @ N=70	IL - 19.0	N/A
WIDENING	PG 64-22	4.0% @ N=70	IL - 19.0	N/A

INDEX OF SHEETS

SHEET NO	TITLE
1	COVER SHEET
2	GENERAL NOTES, INDEX OF SHEETS
3-4	SUMMARY OF QUANTITIES
5-6	TYPICAL SECTIONS
7	QUANTITY SCHEDULES
8	PLAN AND PROFILE SHEET
9	STORM SEWER DETAILS
10	GUARDRAIL DETAILS
11-22	CROSS SECTIONS

THE FOLLOWING STANDARDS ARE A PART OF THESE PLANS AND ARE INCLUDED FOLLOWING THE LAST NUMBERED SHEET OF THE PLANS.

000001-06	STANDARD SYMBOLS, ABBREVIATIONS, AND PATTERNS
280001-07	TEMPORARY EROSION CONTROL SYSTEMS
420001-07	PAVEMENT JOINTS
420101-04	24' JOINTED PCC PAVEMENT
420701-02	PAVEMENT FABRIC
442201-03	CLASS C AND D PATCHES
542301-03	PRECAST REINFORCED CONCRETE FLARED END SECTION
602301-04	INLET, TYPE A
602306-03	INLET, TYPE B
602401-03	MANHOLE, TYPE A
602601-03	PRECAST REINFORCED CONCRETE FLAT SLAB TOP
602701-02	MANHOLE STEPS
604001-03	FRAME AND LIDS, TYPE 1
604046-02	FRAME AND GRATE, TYPE 10
606101-04	TYPE A GUTTER (INLET, OUTLET AND ENTRANCE)
630001-10	STEEL PLATE BEAM GUARDRAIL
631006-08	TRAFFIC BARRIER TERMINAL, TYPE 1B
631033-05	TRAFFIC BARRIER TERMINAL, TYPE 6B
635006-03	REFLECTOR AND TERMINAL MARKER PLACEMENT
635011-02	REFLECTOR MARKER AND MOUNTING DETAILS
643001-02	SAND MODULE IMPACT ATTENUATORS
667101-02	PERMANENT SURVEY MARKERS
701006-05	OFF-ROAD OPERATIONS, 2L, 2W, 15' TO 24" FROM PAVEMENT EDGE
701011-04	OFF-ROAD MOVING OPERATIONS, 2L, 2W, DAY ONLY
701201-04	LANE CLOSURE, 2L, 2W, DAY ONLY, FOR SPEEDS >= 45 MPH
701301-04	LANE CLOSURE, 2L, 2W, SHORT TIME OPERATIONS
701311-03	LANE CLOSURE, 2L, 2W, MOVING OPERATIONS - DAY ONLY
701321-13	LANE CLOSURE, 2L, 2W, BRIDGE REPAIR WITH BARRIER
701326-04	LANE CLOSURE, 2L, 2W, PAVEMENT WIDENING, FOR SPEEDS >= 45 MPH
701901-03	TRAFFIC CONTROL DEVICES
704001-07	TEMPORARY CONCRETE BARRIER

FILE NAME =	USER NAME = teasleyk	DESIGNED -	REVISED -	STATE OF ILLINOIS DEPARTMENT OF TRANSPORTATION	GENERAL NOTES & INDEX OF SHEETS	F.A.S. RTE.	SECTION	COUNTY	TOTAL SHEETS	SHEET NO.
c:\pe_work\pwork\teasleyk\0348320107	4027-sht-gennotes.dgn	DRAWN -	REVISED -			2801	07 DRAINAGE REHAB 2014-1		22	2
Default	PLOT SCALE = 100.0000' / 1"	CHECKED -	REVISED -			EFFINGHAM, FAYETTE		CONTRACT NO. 74627		
	PLOT DATE = 12/19/2013	DATE -	REVISED -			SCALE:	SHEET	OF	SHEETS	STA.
ILLINOIS FED. AID PROJECT										

SUMMARY OF QUANTITIES			TOTAL QUANTITIES	CONSTRUCTION TYPE CODE	
CODE NO	ITEM	UNIT		0044 EFFINGHAM COUNTY	0044 FAYETTE COUNTY
20201200	REMOVAL AND DISPOSAL OF UNSUITABLE MATERIAL	CU YD	388	194	194
20800150	TRENCH BACKFILL	CU YD	466	457.7	8.3
28000500	INLET AND PIPE PROTECTION	EACH	14	9	5
28100105	STONE RIPRAP, CLASS A3	SO YD	39	25.5	13.5
30300001	AGGREGATE SUBGRADE IMPROVEMENT	CU YD	388	194	194
35400300	PORTLAND CEMENT CONCRETE BASE COURSE WIDENING 8"	SO YD	264	264	
35600728	HOT-MIX ASPHALT BASE COURSE WIDENING, 13"	SO YD	502	251	251
42000401	PORTLAND CEMENT CONCRETE PAVEMENT 9" (JOINTED)	SO YD	931	466	465
44000100	PAVEMENT REMOVAL	SO YD	962	481	481
44000400	GUTTER REMOVAL	FOOT	2204	1102	1102
44200156	PAVEMENT PATCHING, TYPE II, 13 INCH	SO YD	30	15	15
50104400	CONCRETE HEADWALL REMOVAL	EACH	1	1	
50105220	PIPE CULVERT REMOVAL	FOOT	125	125	

SUMMARY OF QUANTITIES			TOTAL QUANTITIES	CONSTRUCTION TYPE CODE	
CODE NO	ITEM	UNIT		0044 EFFINGHAM COUNTY	0044 FAYETTE COUNTY
54213669	PRECAST REINFORCED CONCRETE FLARED END SECTIONS 24"	EACH	1	1	
550A0070	STORM SEWERS, CLASS A, TYPE 1 15"	FOOT	130	68	62
550A0090	STORM SEWERS, CLASS A, TYPE 1 18"	FOOT	207	207	
550A0120	STORM SEWERS, CLASS A, TYPE 1 24"	FOOT	745	745	
60218400	MANHOLES, TYPE A, 4' -DIAMETER, TYPE 1 FRAME, CLOSED LID	EACH	5	5	
60236700	INLETS, TYPE A, TYPE 10 FRAME AND GRATE	EACH	4		4
60240305	INLETS, TYPE B, TYPE 10 FRAME AND GRATE	EACH	6	5	1
60500060	REMOVING INLETS	EACH	2	1	1
60602500	CONCRETE GUTTER, TYPE A	FOOT	2204	1102	1102
* 63000001	STEEL PLATE BEAM GUARDRAIL, TYPE A, 6 FOOT POSTS	FOOT	312.5	162.5	150
* 63100041	TRAFFIC BARRIER TERMINAL, TYPE 1B	EACH	2	1	1
* 63100167	TRAFFIC BARRIER TERMINAL, TYPE 1 (SPECIAL) TANGENT	EACH	2	1	1

* SPECIALTY ITEM

FILE NAME =	USER NAME = toee10ygh	DESIGNED -	REVISED -
c:\pwwork\work\dot\toee10ygh\03340320\107	4627-ehs-soq.dgn	DRAWN -	REVISED -
	PLOT SCALE = 1/8" = 1' / 1/8"	CHECKED -	REVISED -
Default	PLOT DATE = 1/16/2014	DATE -	REVISED -

STATE OF ILLINOIS
DEPARTMENT OF TRANSPORTATION

SUMMARY OF QUANTITIES

SCALE: SHEET OF SHEETS STA. TO STA.

F.A.S. RTE.	SECTION	COUNTY	TOTAL SHEETS	SHEET NO.
2901	DT DRAINAGE REHAB 2014-1		22	3
*EFFINGHAM, FAYETTE			CONTRACT NO. 74627	
ILLINOIS FED. AID PROJECT				

SUMMARY OF QUANTITIES			TOTAL QUANTITIES	CONSTRUCTION TYPE CODE	
CODE NO	ITEM	UNIT		0044 EFFINGHAM COUNTY	0044 FAYETTE COUNTY
67100100	MOBILIZATION	L SUM	1	0.5	0.5
70100405	TRAFFIC CONTROL AND PROTECTION, STANDARD 701321	EACH	1	0.5	0.5
70100450	TRAFFIC CONTROL AND PROTECTION, STANDARD 701201	L SUM	1	0.5	0.5
70100500	TRAFFIC CONTROL AND PROTECTION, STANDARD 701326	L SUM	1	0.5	0.5
70103815	TRAFFIC CONTROL SURVEILLANCE	CAL DA	20	10	10
70106500	TEMPORARY BRIDGE TRAFFIC SIGNALS	EACH	1	0.5	0.5
70106700	TEMPORARY RUMBLE STRIPS	EACH	6	3	3
70301000	WORK ZONE PAVEMENT MARKING REMOVAL	SO FT	825	413	412
70400100	TEMPORARY CONCRETE BARRIER	FOOT	550	275	275
70400200	RELOCATE TEMPORARY CONCRETE BARRIER	FOOT	550	275	275
70600250	IMPACT ATTENUATORS, TEMPORARY (NON-REDIRECTIVE), TEST LEVEL 3	EACH	2	1	1
70600350	IMPACT ATTENUATORS, RELOCATE (NON-REDIRECTIVE), TEST LEVEL 3	EACH	2	1	1

SUMMARY OF QUANTITIES			TOTAL QUANTITIES	CONSTRUCTION TYPE CODE	
CODE NO	ITEM	UNIT		0044 EFFINGHAM COUNTY	0044 FAYETTE COUNTY
78001110	PAINT PAVEMENT MARKING - LINE 4"	FOOT	2681	1341	1340
78100300	REPLACEMENT REFLECTOR	EACH	11	6	5
78200410	GUARDRAIL MARKERS, TYPE A	EACH	12	6	6
78201000	TERMINAL MARKER - DIRECT APPLIED	EACH	2	1	1
78300100	PAVEMENT MARKING REMOVAL	SO FT	619	310	309
X0327371	PLUG EXISTING PIPE	CU YD	5.6		5.6
X2501000	SEEDING, CLASS 2 (SPECIAL)	ACRE	0.5	0.4	0.1
X6311217	TRAFFIC BARRIER TERMINAL, TYPE 6B (SPECIAL)	EACH	8	4	4
X7015005	CHANGEABLE MESSAGE SIGN	CAL DA	28	14	14
X7830050	RAISED REFLECTIVE PAVEMENT MARKER, REFLECTOR REMOVAL	EACH	11	6	5
Z0049799	PROTECTING OR RESETTING SURVEY MARKERS	EACH	1	1	

* SPECIALTY ITEM

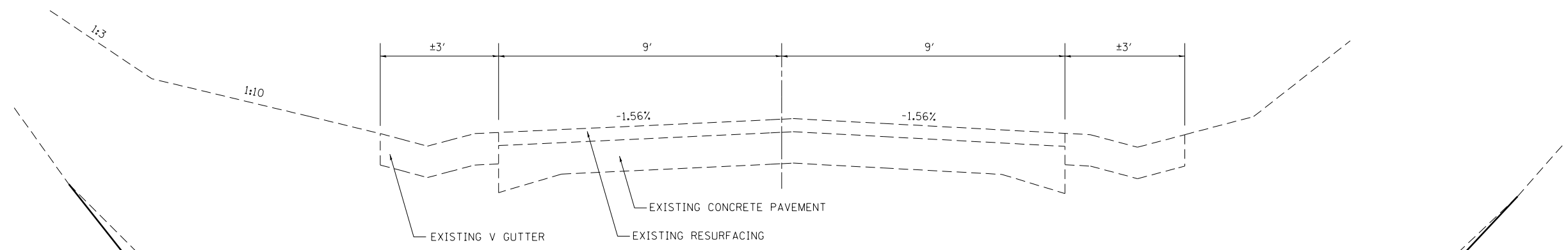
FILE NAME =	USER NAME = teasleyck	DESIGNED -	REVISED -
ei\p\work\p\doc\teasleyck\40348302\074627-sht-req.dgn		DRAWN -	REVISED -
Default	PLOT SCALE = 1/8"=1'-0"	CHECKED -	REVISED -
	PLOT DATE = 1/16/2014	DATE -	REVISED -

STATE OF ILLINOIS
DEPARTMENT OF TRANSPORTATION

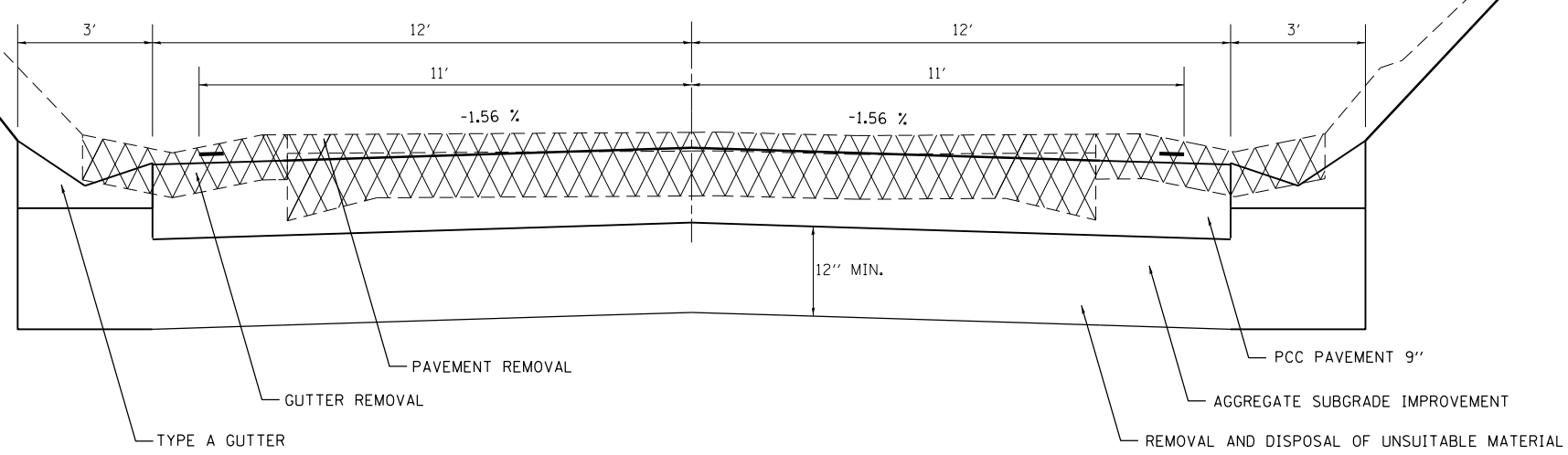
SUMMARY OF QUANTITIES

SCALE: SHEET OF SHEETS STA. TO STA.

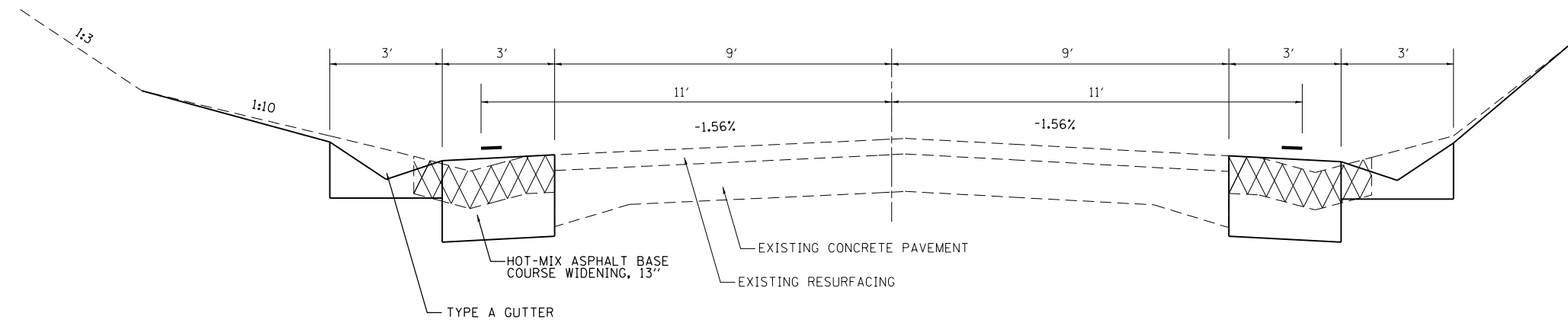
F.A.S. RTE.	SECTION	COUNTY	TOTAL SHEETS	SHEET NO.
2801	D7 DRAINAGE REHAB 2014-1		22	4
*EFFINGHAM, FAYETTE			CONTRACT NO. 74627	
ILLINOIS FED. AID PROJECT				



EXISTING TYPICAL



PROPOSED TYPICAL
STA 1390+59 TO STA 1394+08



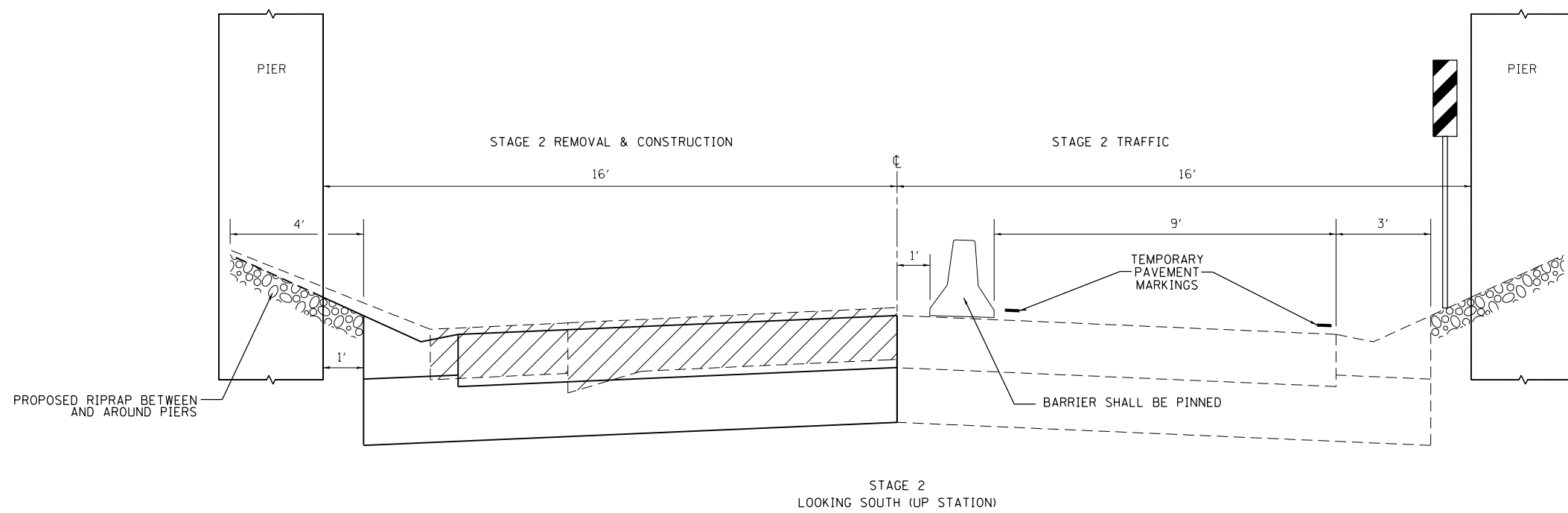
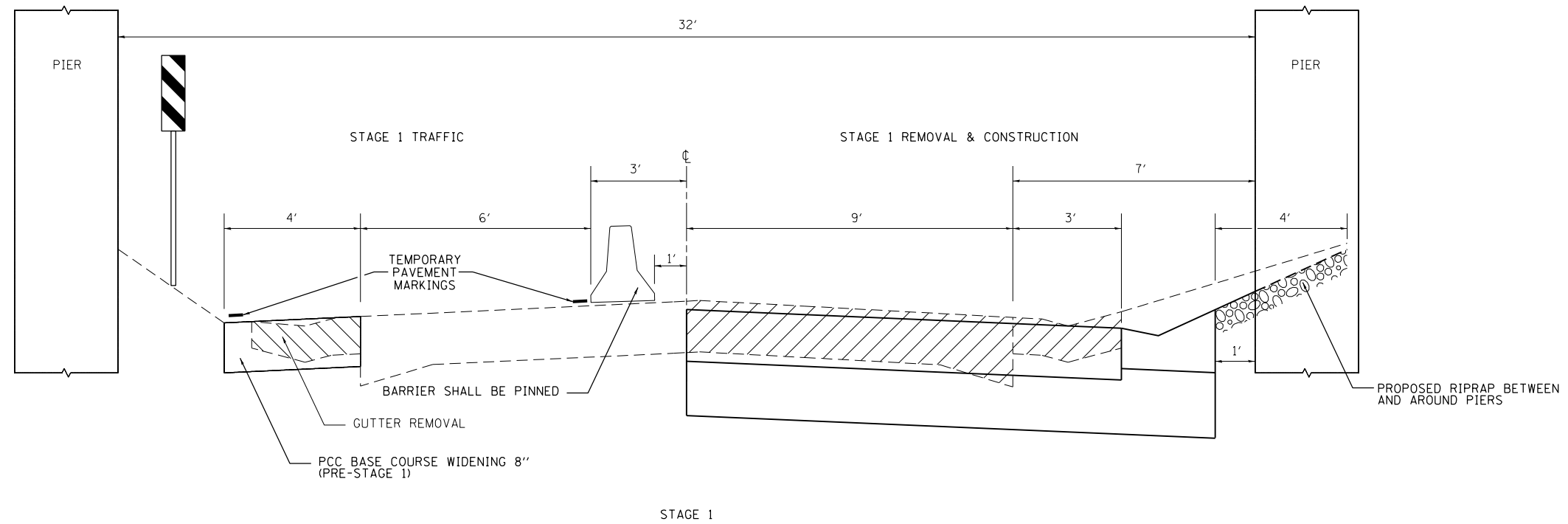
PROPOSED TYPICAL
STA 1383+06 TO STA 1390+59

FILE NAME =	USER NAME = teasleyck	DESIGNED -	REVISED -
c:\pwork\pwork\teasleyck\d0348300\07	74627-sh-typicals.dgn	DRAWN -	REVISED -
Default	PLOT SCALE = 100.0000' / in.	CHECKED -	REVISED -
	PLOT DATE = 12/19/2013	DATE -	REVISED -

**STATE OF ILLINOIS
DEPARTMENT OF TRANSPORTATION**

TYPICAL SECTIONS				
SCALE:	SHEET	OF	SHEETS	STA. TO STA.

F.A.S. RTE.	SECTION	COUNTY	TOTAL SHEETS	SHEET NO.
2801	D7 DRAINAGE REHAB 2014-1	EFFINGHAM, FAYETTE	22	5
ILLINOIS FED. AID PROJECT			CONTRACT NO. 74627	



FILE NAME =	USER NAME = teasleyck	DESIGNED -	REVISED -
c:\pwork\pwork\teasleyck\d0348300\07	4627-sh1-typicals.dgn	DRAWN -	REVISED -
Default	PLOT SCALE = 100.0000' / in.	CHECKED -	REVISED -
	PLOT DATE = 12/19/2013	DATE -	REVISED -

**STATE OF ILLINOIS
DEPARTMENT OF TRANSPORTATION**

STAGE CONSTRUCTION

SCALE: SHEET OF SHEETS STA. TO STA.

F.A.S. RTE.	SECTION	COUNTY	TOTAL SHEETS	SHEET NO.
2801	D7 DRAINAGE REHAB 2014-1		22	6
EFFINGHAM, FAYETTE			CONTRACT NO. 74627	
ILLINOIS FED. AID PROJECT				

TEMPORARY CONCRETE BARRIER

STA 1389+58 TO 1395+08	550 FOOT
------------------------	----------

RELOCATE TEMPORARY CONCRETE BARRIER

STA 1389+58 TO 1395+08	550 FOOT
------------------------	----------

PCC BASE COURSE WIDENING 8"

LT STA 1389+36 TO 1395+31	264 S. Y.
---------------------------	-----------

PAVEMENT REMOVAL

STA 1390+59 TO 1394+08	962 S. Y.
------------------------	-----------

REMOVING INLETS

LT STA 1383+48	1 EACH
RT STA 1383+48	1 EACH

PIPE CULVERT REMOVAL

LT STA 1382+25 TO STA 1383+48	125 FEET
-------------------------------	----------

CONCRETE HEADWALL REMOVAL

LT STA 1382+25	1 EACH
----------------	--------

GUTTER REMOVAL

RT & LT STA 1383+06 TO 1394+08	2204 FEET
--------------------------------	-----------

CONCRETE GUTTER, TYPE A

RT & LT STA 1383+06 TO 1394+08	2204 FEET
--------------------------------	-----------

PAVEMENT MARKING REMOVAL

STA 1388+42 TO 1396+67	619 S. F.
------------------------	-----------

HMA BASE COURSE WIDENING, 13"

LT & RT STA 1383+06 TO 1390+59	502 S. Y.
--------------------------------	-----------

PLUG EXISTING PIPE

RT STA 1382+25 TO STA 1383+47	5.6 C. Y.
-------------------------------	-----------

PROTECTING OR RESETTING SURVEY MARKERS

P. I. STA 1392+78.88	1 EACH
----------------------	--------

STONE RIPRAP, CLASS A3

LT. STA 1382+15 TO 1382+25	12 S. Y.
LT. STA 1391+83 TO 1391+98	5 S. Y.
LT. STA 1392+78 TO 1393+06	8.5 S. Y.
RT. STA 1391+98 TO 1392+14	5 S. Y.
RT. STA 1392+92 TO 1393+20	8.5 S. Y.
TOTAL	39 S. Y.

FILE NAME =	USER NAME = teasleyck	DESIGNED -	REVISED -
ct:\pw\work\p\dot\teasleyck\d0348300\07	4627-sh1-schedules.dgn	DRAWN -	REVISED -
Default	PLOT SCALE = 100.0000' / 1in.	CHECKED -	REVISED -
	PLOT DATE = 12/19/2013	DATE -	REVISED -

STATE OF ILLINOIS
DEPARTMENT OF TRANSPORTATION

SCHEDULES			
SCALE:	SHEET	OF	SHEETS
	STA.	TO	STA.

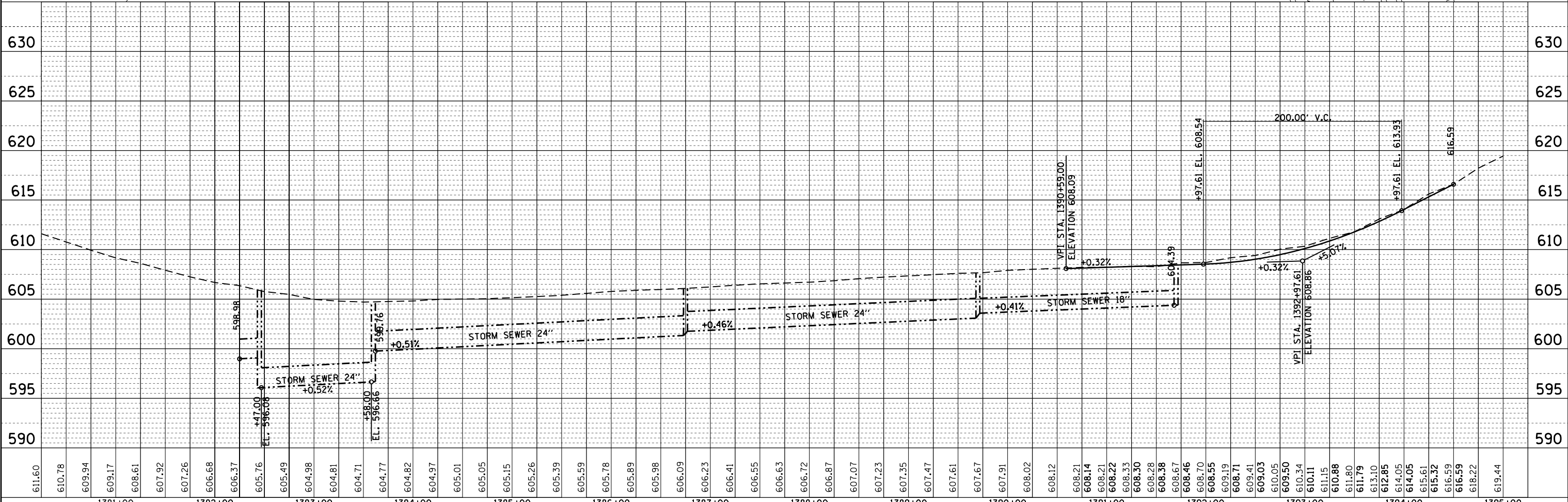
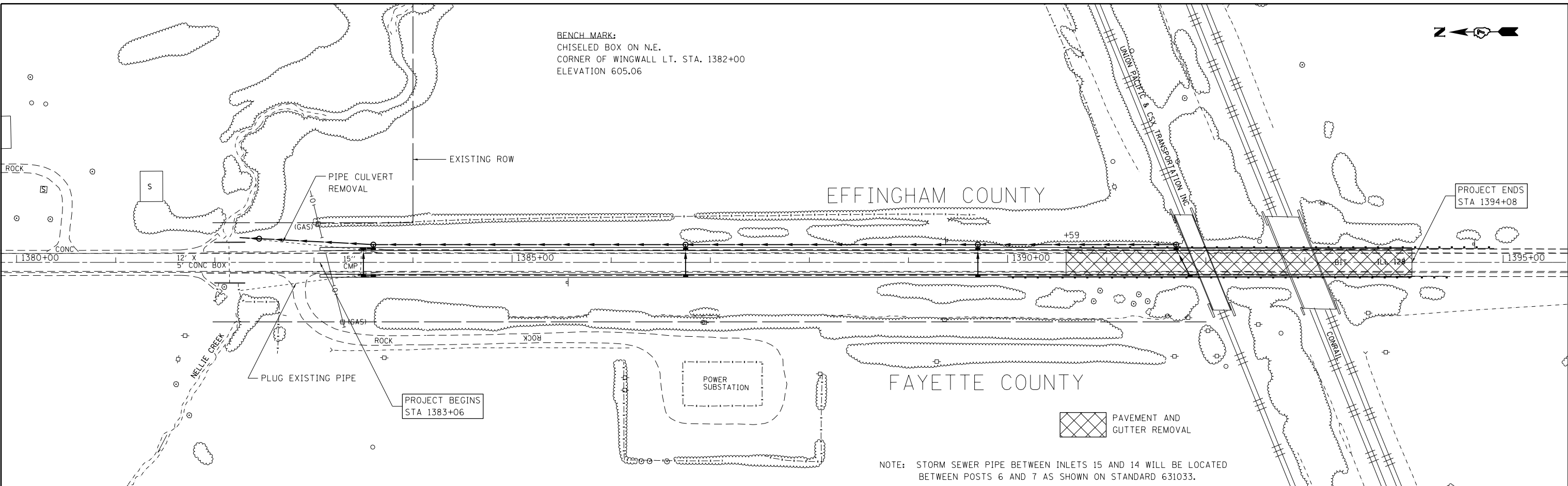
F.A.S. RTE.	SECTION	COUNTY	TOTAL SHEETS	SHEET NO.
2801	07 DRAINAGE REHAB 2014-1	EFFINGHAM, FAYETTE	22	7
CONTRACT NO. 74627			ILLINOIS FED. AID PROJECT	



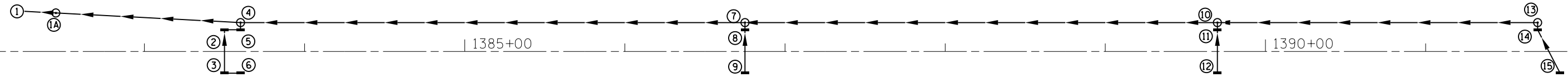
BENCH MARK:
CHISELED BOX ON N.E.
CORNER OF WINGWALL LT. STA. 1382+00
ELEVATION 605.06

PLAN	SURVEYED	BY	DATE
	PLOTTED		
	GRADES CHECKED		
	STRUCTURE NOTATIONS OK'D		
	NOTE BOOK NO.		
	FILE NAME		

PROFILE	SURVEYED	BY	DATE
	PLOTTED		
	GRADES CHECKED		
	STRUCTURE NOTATIONS OK'D		
	NOTE BOOK NO.		
	FILE NAME		

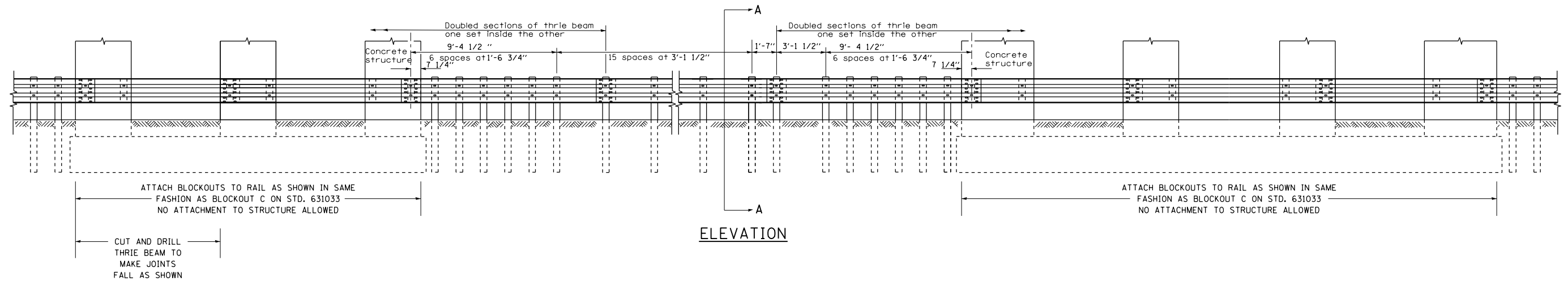
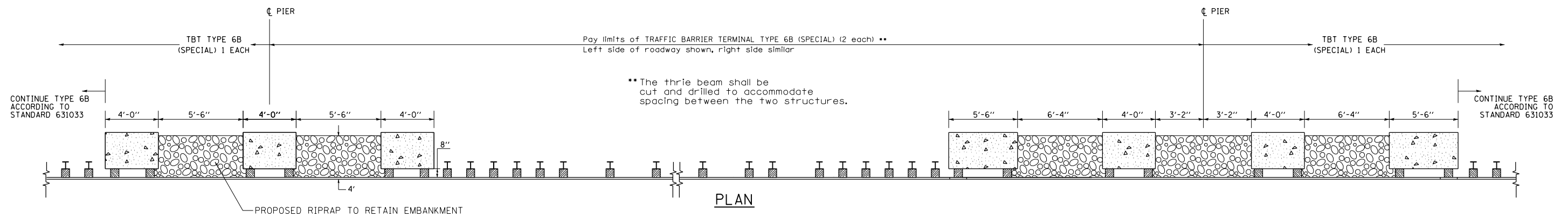


FILE NAME =	USER NAME = teasleyk	DESIGNED -	REVISED -	STATE OF ILLINOIS DEPARTMENT OF TRANSPORTATION		PLAN & PROFILE - IL 128		F.A.S. RE.	SECTION	COUNTY	TOTAL SHEETS	SHEET NO.
c:\pwork\pwork\teasleyk\d0348300\0774627-sht-plan.dgn		DRAWN -	REVISED -			SCALE: SHEET OF SHEETS STA. TO STA.		2801	D7 DRAINAGE REHAB 2014-1	EFFINGHAM, FAYETTE	22	8
Default	PLOT SCALE = 100.0000' / in.	CHECKED -	REVISED -					CONTRACT NO. 74627				
	PLOT DATE = 1/16/2014	DATE -	REVISED -					ILLINOIS FED. AID PROJECT				



PT. TO PT.	TYPE 1	TYPE 1	TYPE 1	TRENCH BACKFILL
	15"	18"	24"	
	LIN FT	LIN FT	LIN FT	CU YD
15-14	26			3.4
14-13		2		0.3
13-10		205		73.4
12-11	26			3.4
11-10	2			0.3
10-7			295	99.7
9-8	26			3.4
8-7	2			0.3
7-4			315	125.2
6-3	10			1.2
3-2	26			4
2-5	10			1.9
5-4	2			0.3
4-1A			115	148.8
1A-1			20	
TOTALS	130	207	745	466

PT	LOCATION	DESCRIPTION	LID OR EOP	INLET INVERT	OUTLET INVERT	SYM
1	25.0' LT STA 1382+25	PRC FLAR END SEC 24"			598.98	
1A	24.0' LT STA 1382+45	MH TA 4' DIA T1F&CL	605.02	596.08	599.08	⊙
2	13.5' LT STA 1383+50	INLETS TB T10F&G	604.52	601.23	601.13	—
3	13.5' RT STA 1383+50	INLETS TB T10F&G	604.52	601.72	601.62	—
4	18.0' LT STA 1383+60	MH TA 4' DIA T1F&CL	604.95	600.83-W, 599.76-S	596.66	⊙
5	13.5' LT STA 1383+60	INLETS TB T10F&G	604.52	601.03	600.93	—
6	13.5' RT STA 1383+60	INLETS TA T10F&G	604.52		601.82	—
7	18.0' LT STA 1386+75	MH TA 4' DIA T1F&CL	606.35	602.61-W, 601.76-S	601.34	⊙
8	13.5' LT STA 1386+75	INLETS TB T10F&G	605.90	602.81	602.71	—
9	13.5' RT STA 1386+75	INLETS TA T10F&G	605.90		603.20	—
10	18.0' LT STA 1389+70	MH TA 4' DIA T1F&CL	607.90	604.17-W, 603.59-S	603.09	⊙
11	13.5' LT STA 1389+70	INLETS TB T10F&G	607.46	604.37	604.27	—
12	13.5' RT STA 1389+70	INLETS TA T10F&G	607.46		604.76	—
13	18.0' LT STA 1391+70	MH TA 4' DIA T1F&CL	609.79	604.83	604.41	⊙
14	13.5' LT STA 1391+69	INLETS TB T10F&G	608.25	605.18	604.93	—
15	13.5' RT STA 1391+84	INLETS TA T10F&G	608.30		605.57	—



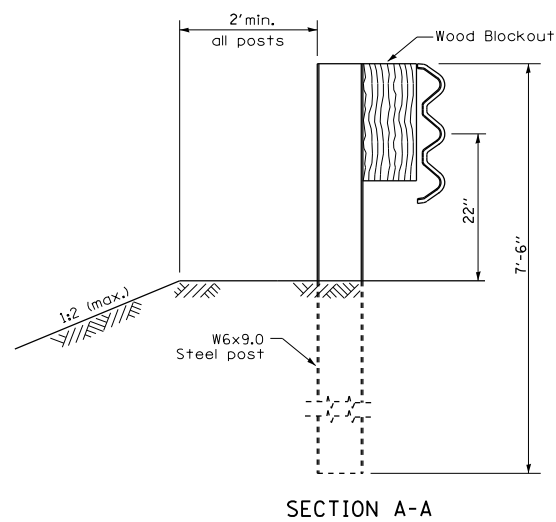
GUARDRAIL SCHEDULE

DESCRIPTION	STATIONING		SIDE	STEEL PLATE BEAM GUARDRAIL, TYPE A, 6 FOOT POSTS (FOOT)	TRAFFIC BARRIER TERMINAL, TYPE 1 (EACH)	TRAFFIC BARRIER TERMINAL, TYPE 1B (EACH)	TRAFFIC BARRIER TERMINAL, TYPE 6B (SPECIAL) (EACH)	GUARDRAIL MARKERS, TYPE A (EACH)	TERMINAL MARKER - DIRECT APPLIED (EACH)
	FROM	TO							
RAILROAD UNDERPASS 0.5 MI N OF US 40	1390+60	1391+10	LT	50.0	1			1	1
	1391+10	1391+35	LT						
	1391+35	1391+79	LT						
	1391+79	1393+10	LT						
	1393+10	1393+54	LT						
	1393+54	1394+66	LT						
RAILROAD UNDERPASS 0.5 MI N OF US 40	1394+66	1394+91	LT	112.5		1		2	1
	1390+00	1390+50	RT						
	1390+50	1391+50	RT						
	1391+50	1391+94	RT						
	1391+94	1393+25	RT						
	1393+25	1393+69	RT						
RAILROAD UNDERPASS 0.5 MI N OF US 40	1393+69	1394+19	RT	50.0				1	
	1394+19	1394+44	RT						
	1394+44	1394+44	RT						
TOTALS				312.5	2.0	2.0	8.0	12.0	2.0

GENERAL NOTES

See Standard 630001 for details of guardrail not shown. Thrie beam rail shall be bolted to block-out at all posts.

All slope ratios are expressed as units of vertical displacement to units of horizontal displacement (V:H).



FILE NAME =	USER NAME = teasleyk	DESIGNED -	REVISED -
c:\pw\work\p\idot\teasleyk\d0348300\07	4627-sh1-detail.dgn	DRAWN -	REVISED -
Default	PLOT SCALE = 100.0000' / 1in.	CHECKED -	REVISED -
	PLOT DATE = 12/19/2013	DATE -	REVISED -

STATE OF ILLINOIS
DEPARTMENT OF TRANSPORTATION

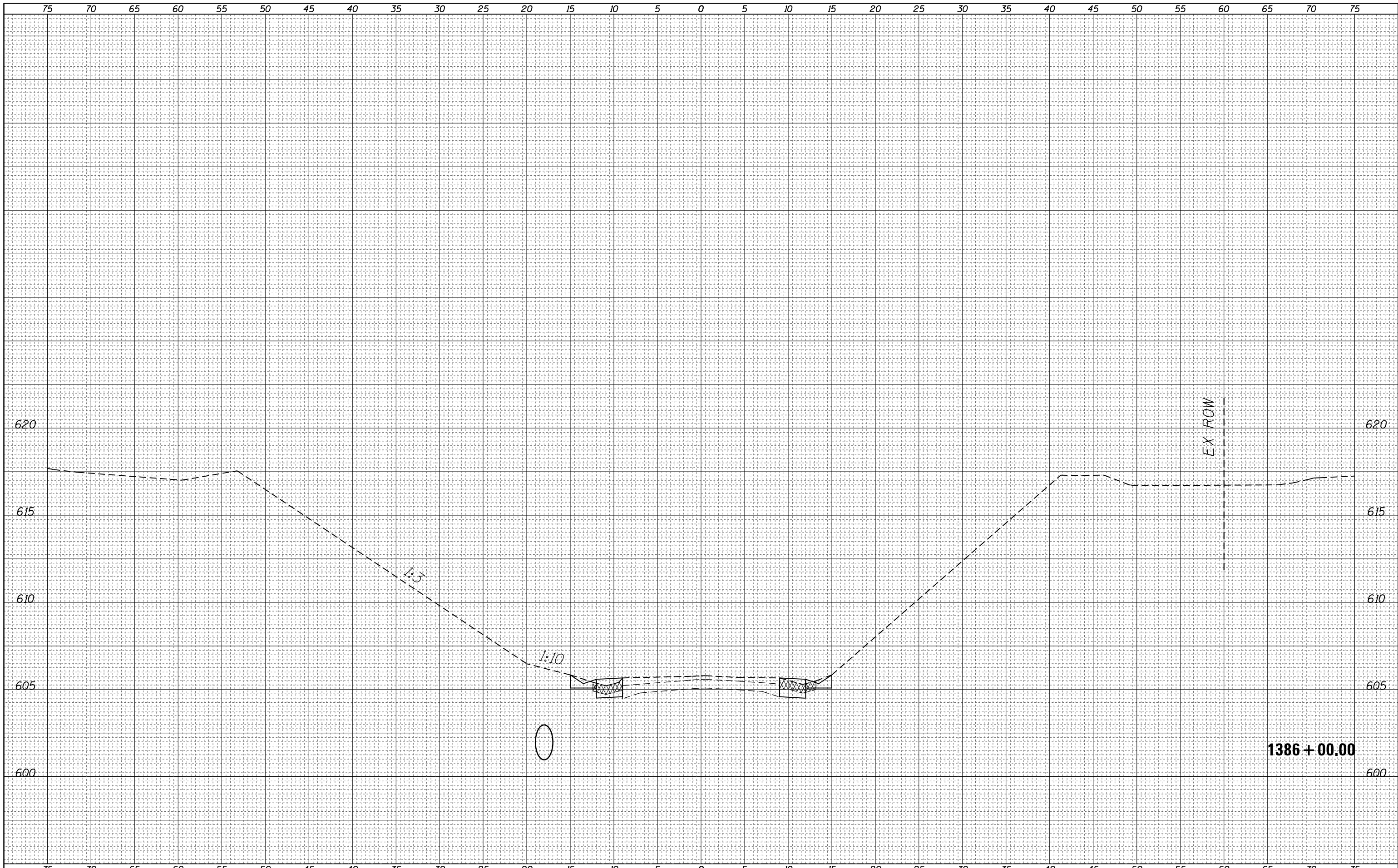
GUARDRAIL DETAILS

SCALE: SHEET OF SHEETS STA. TO STA.

F.A.S. RTE.	SECTION	COUNTY	TOTAL SHEETS	SHEET NO.
2801-07	DRAINAGE REHAB 2014-1		22	10
EFFINGHAM, FAYETTE		CONTRACT NO. 74627		
ILLINOIS FED. AID PROJECT				

DATE	
BY	
FINAL SURVEY	SURVEYED
NOTE BOOK	PLOTTED
NO.	TEMPLATE
	AREAS CHECKED

DATE	
BY	
ORIGINAL SURVEY	SURVEYED
NOTE BOOK	PLOTTED
NO.	TEMPLATE
	AREAS CHECKED



FILE NAME =
 c:\pw_work\pwidot\teasleyck\d0348300\0774627-shr-xa-RR128.dgn
 Default

USER NAME = teasleyck	DESIGNED -	REVISED -
	DRAWN -	REVISED -
PLOT SCALE = 10.0000' / in.	CHECKED -	REVISED -
PLOT DATE = 12/19/2013	DATE -	REVISED -

**STATE OF ILLINOIS
 DEPARTMENT OF TRANSPORTATION**

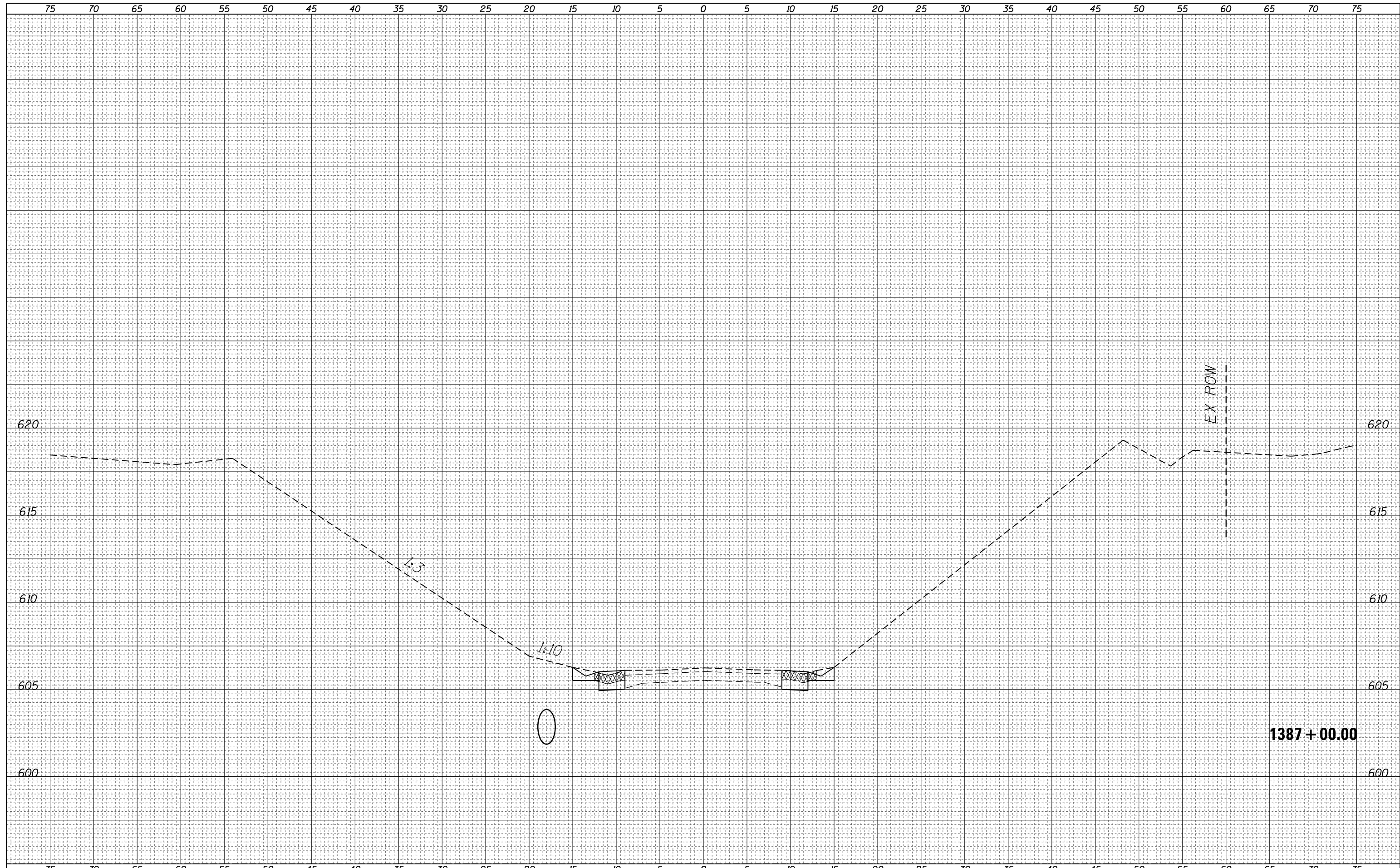
IL 128 CROSS SECTIONS

SCALE: SHEET OF SHEETS STA. 1386+00.00 TO STA. 1386+00.00

F.A.S. RTE.	SECTION	COUNTY	TOTAL SHEETS	SHEET NO.
2801			22	14
• D7 DRAINAGE REHAB 2014-1			CONTRACT NO. 74627	
ILLINOIS FED. AID PROJECT				

DATE	
BY	
FINAL SURVEY	SURVEYED
NOTE BOOK	PLOTTED
NO.	TEMPLATE
	AREAS CHECKED

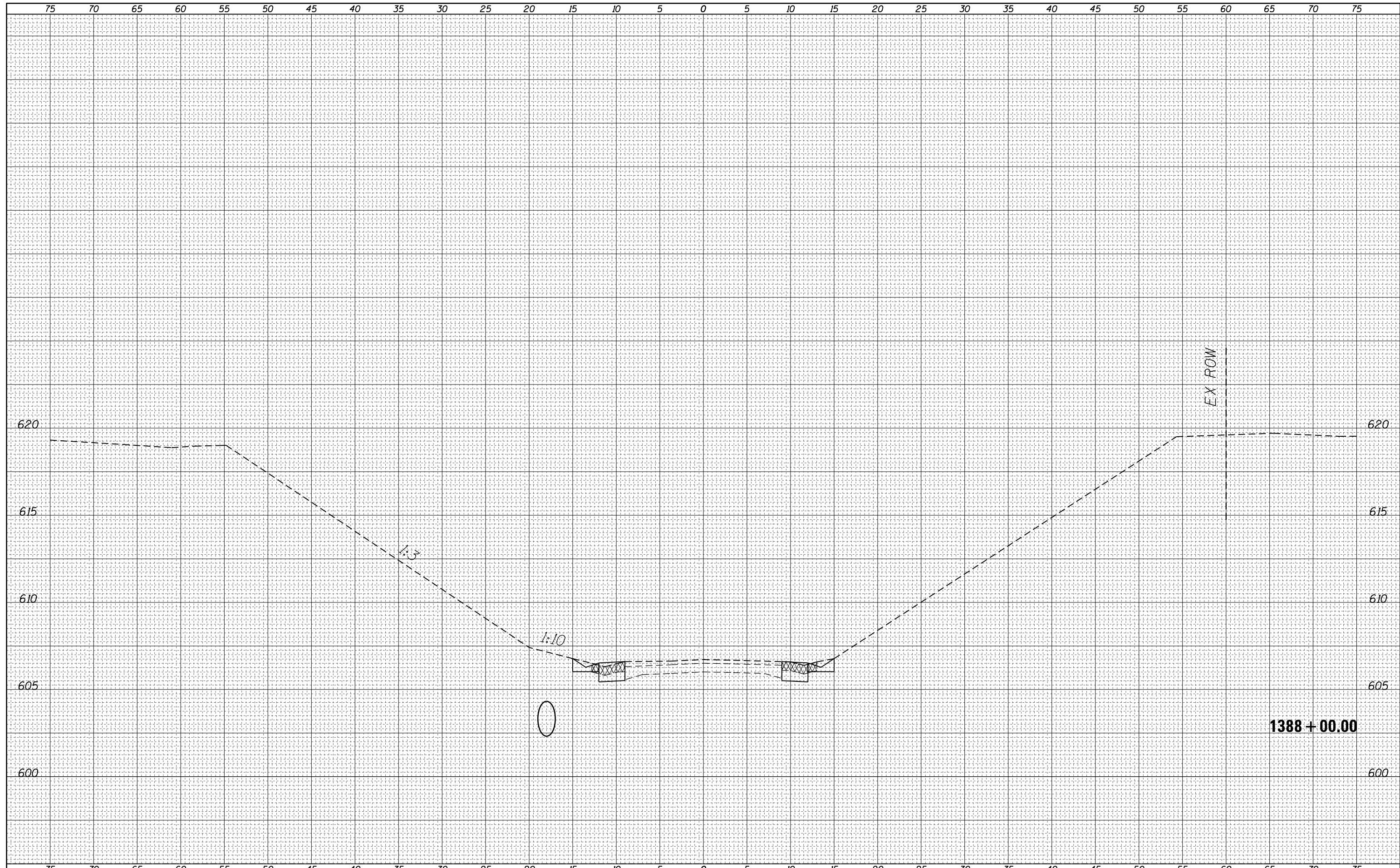
DATE	
BY	
ORIGINAL SURVEY	SURVEYED
NOTE BOOK	PLOTTED
NO.	TEMPLATE
	AREAS CHECKED



FILE NAME =	USER NAME = teasleyck	DESIGNED -	REVISED -	STATE OF ILLINOIS DEPARTMENT OF TRANSPORTATION	IL 128 CROSS SECTIONS	F.A.S. RTE.	SECTION	COUNTY	TOTAL SHEETS	SHEET NO.
c:\pw_work\pwidot\teasleyck\d0348300\0774627-shl-xa-RR128.dgn	DRAWN -	REVISED -	2801				Eff./Fay.	22	15	
Default	PLOT SCALE = 10.0000' / in.	CHECKED -	REVISED -			• D7 DRAINAGE REHAB 2014-1		CONTRACT NO. 74627		
	PLOT DATE = 12/19/2013	DATE -	REVISED -			ILLINOIS FED. AID PROJECT				

DATE	
BY	
FINAL SURVEY	SURVEYED
NOTE BOOK	PLOTTED
NO.	TEMPLATE
	AREAS
	CHECKED

DATE	
BY	
ORIGINAL SURVEY	SURVEYED
NOTE BOOK	PLOTTED
NO.	TEMPLATE
	AREAS
	CHECKED

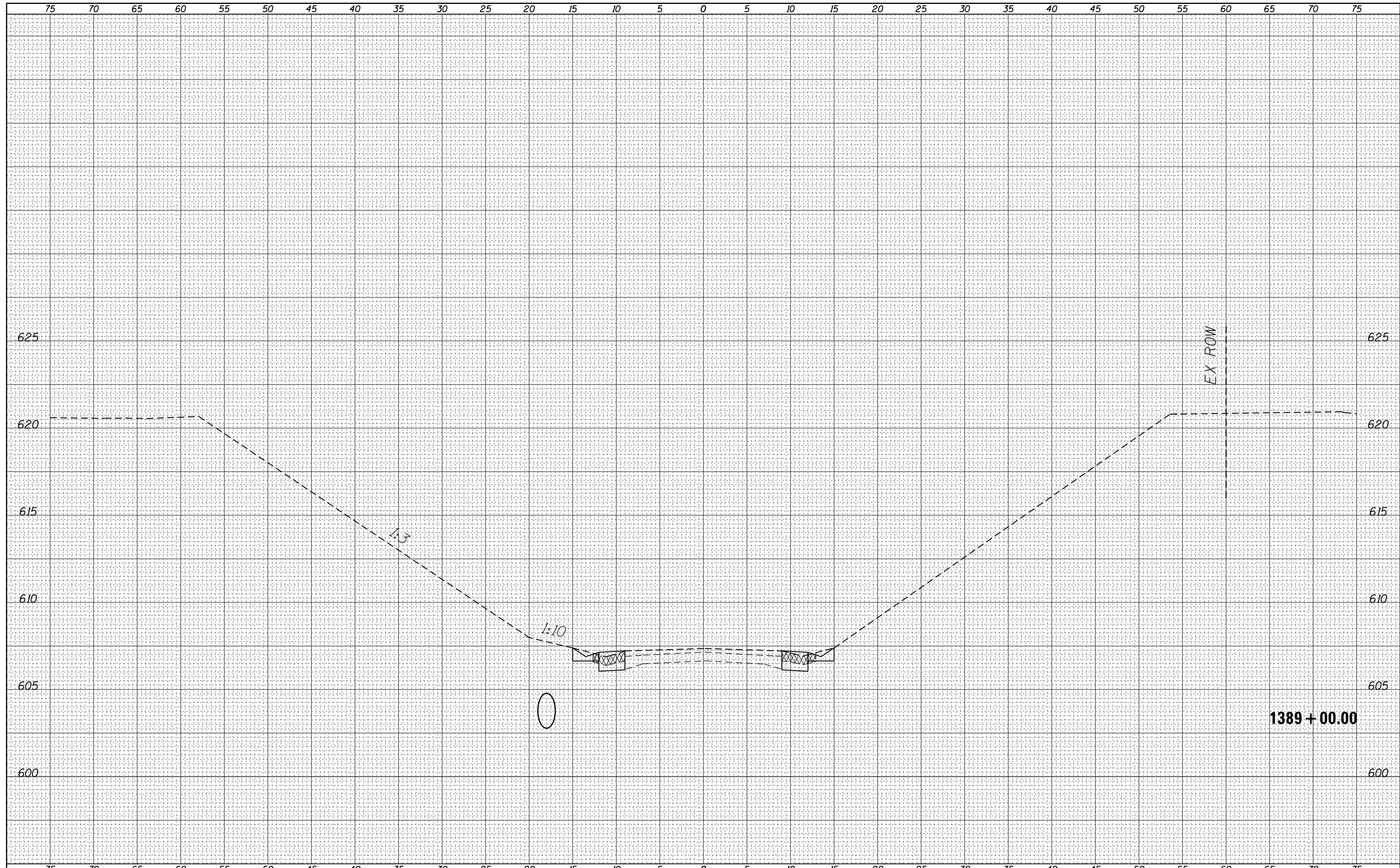


FILE NAME =	USER NAME = teasleyck	DESIGNED -	REVISED -	STATE OF ILLINOIS DEPARTMENT OF TRANSPORTATION	IL 128 CROSS SECTIONS		F.A.S. RTE.	SECTION	COUNTY	TOTAL SHEETS	SHEET NO.
c:\pw\work\p\dot\teasleyck\d0348300\0774627-sh1-xa-RR128.dgn	DRAWN -	REVISED -	2801					Eff./Fay.	22	16	
Default	PLOT SCALE = 10.0000' / in.	CHECKED -	REVISED -				• D7 DRAINAGE REHAB 2014-1		CONTRACT NO. 74627		
	PLOT DATE = 12/19/2013	DATE -	REVISED -				SCALE:		SHEET OF SHEETS STA. 1388+00.00 TO STA. 1388+00.00		

ILLINOIS FED. AID PROJECT

DATE	
BY	
FINAL SURVEY NO.	
SURVEYED	
PLOTTED	
TEMPLATE	
AREAS CHECKED	

DATE	
BY	
ORIGINAL SURVEY NO.	
SURVEYED	
PLOTTED	
TEMPLATE	
AREAS CHECKED	



FILE NAME =
 c:\pw_work\pwidot\teasleyck\d0348300\0774627-sht-xs-RR128.dgn
 Default

USER NAME = teasleyck	DESIGNED -	REVISED -
	DRAWN -	REVISED -
PLOT SCALE = 10.0000' / in.	CHECKED -	REVISED -
PLOT DATE = 12/19/2013	DATE -	REVISED -

**STATE OF ILLINOIS
 DEPARTMENT OF TRANSPORTATION**

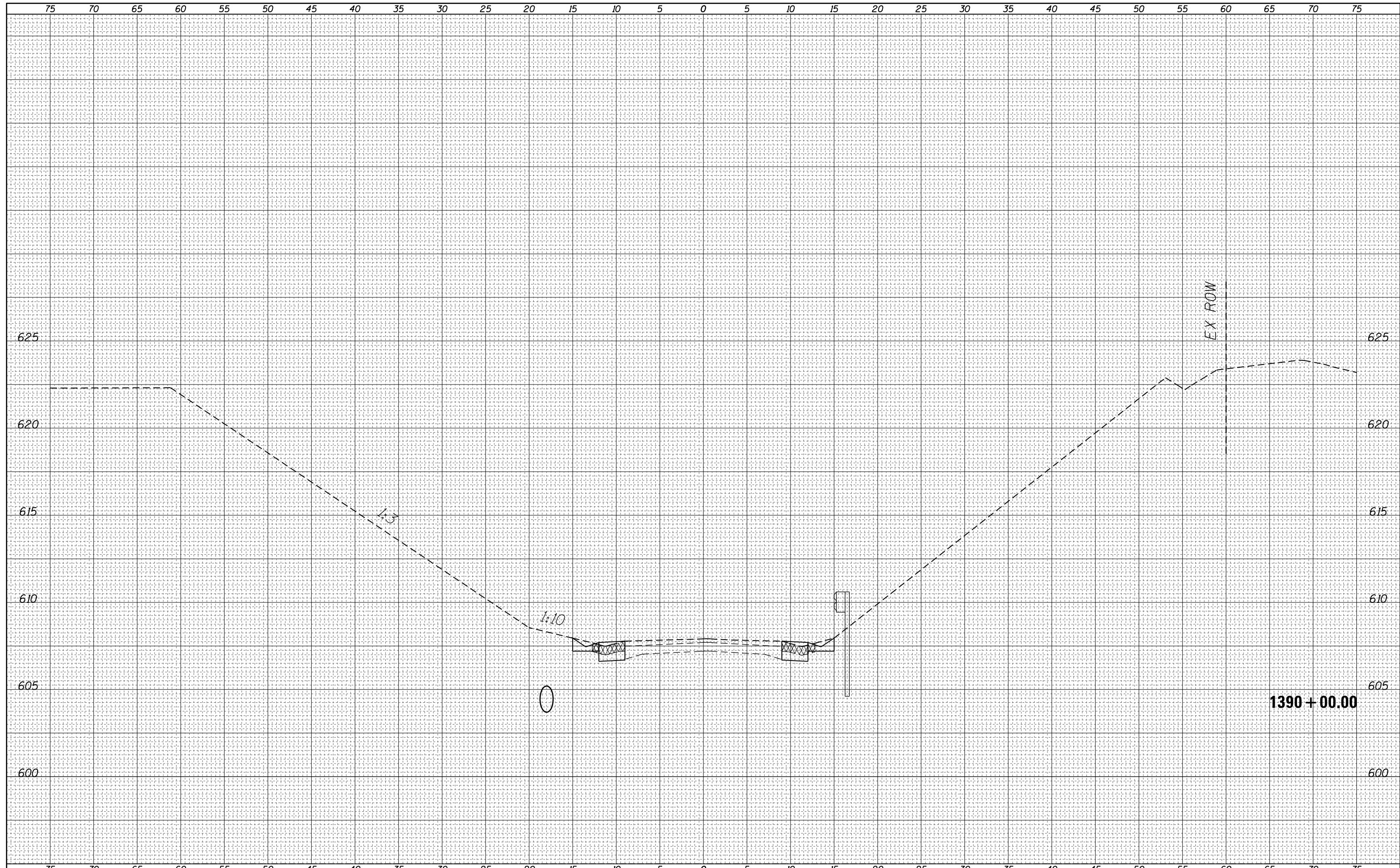
IL 128 CROSS SECTIONS

SCALE: SHEET OF SHEETS STA. 1389+00.00 TO STA. 1389+00.00

F.A.S. RTE.	SECTION	COUNTY	TOTAL SHEETS	SHEET NO.
2801			22	17
• D7 DRAINAGE REHAB 2014-1			CONTRACT NO.	74627
ILLINOIS FED. AID PROJECT				

DATE	
BY	
FINAL SURVEY	SURVEYED
NOTE BOOK	PLOTTED
NO.	TEMPLATE
	AREAS CHECKED

DATE	
BY	
ORIGINAL SURVEY	SURVEYED
NOTE BOOK	PLOTTED
NO.	TEMPLATE
	AREAS CHECKED



FILE NAME =	USER NAME = teasleyck	DESIGNED -	REVISED -	STATE OF ILLINOIS DEPARTMENT OF TRANSPORTATION	IL 128 CROSS SECTIONS	F.A.S. RTE.	SECTION	COUNTY	TOTAL SHEETS	SHEET NO.
c:\pw\work\p\dot\teasleyck\d0348300\0774627-sht-xs-RR128.dgn	DRAWN -	REVISED -	2801				Eff./Fay.	22	18	
Default	PLOT SCALE = 10.0000' / in.	CHECKED -	REVISED -			• D7 DRAINAGE REHAB 2014-1		CONTRACT NO. 74627		
	PLOT DATE = 12/19/2013	DATE -	REVISED -			SCALE:		SHEET OF SHEETS STA. 1390+00.00 TO STA. 1390+00.00		

1390+00.00

EX ROW

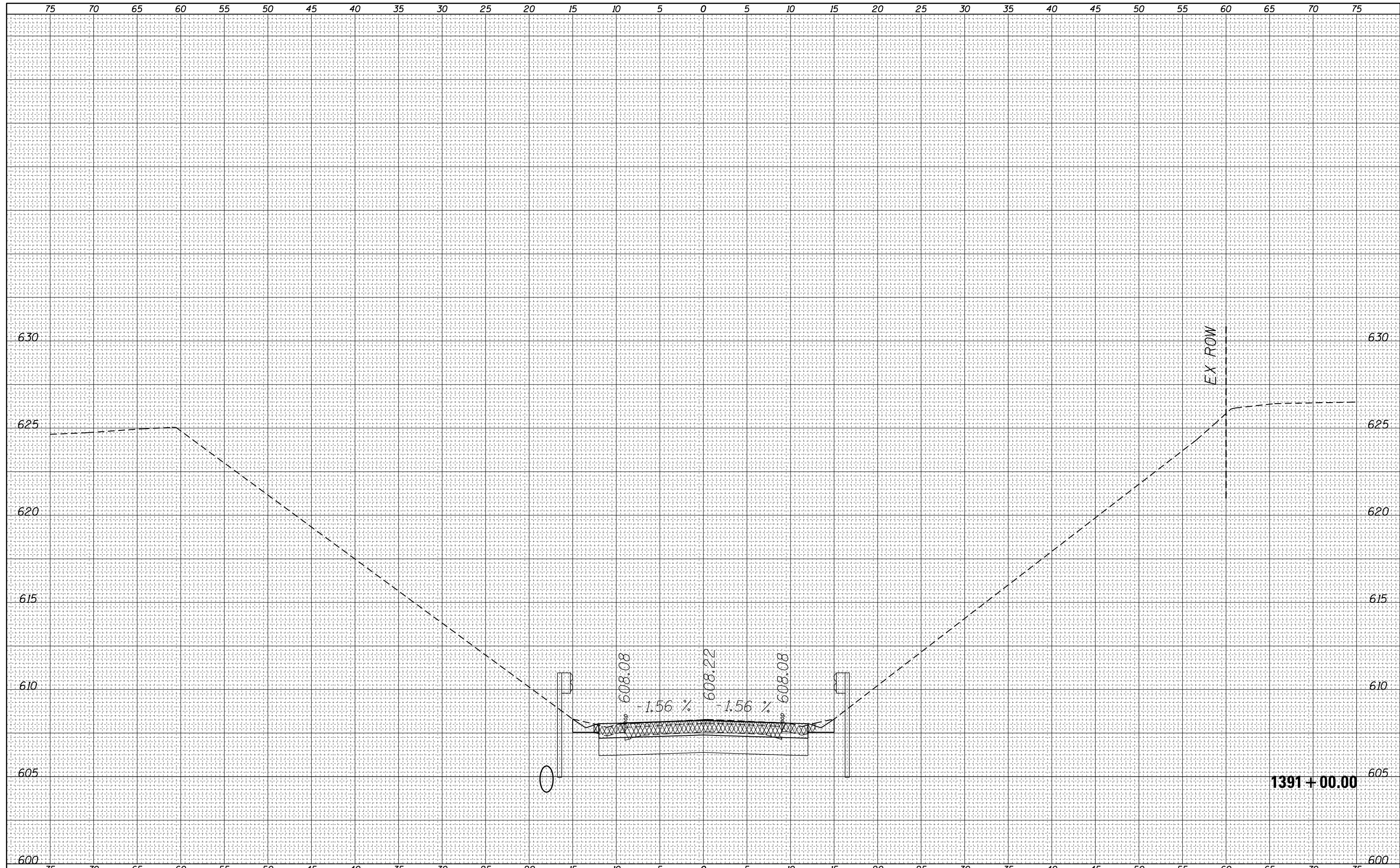
1:10

0

1:3

FINAL SURVEY NO.	SURVEYED	DATE
NOTE BOOK	PLOTTED	
AREAS	TEMPLATE	
CHECKED	AREAS	
	CHECKED	

ORIGINAL SURVEY NO.	SURVEYED	DATE
NOTE BOOK	PLOTTED	
AREAS	TEMPLATE	
CHECKED	AREAS	
	CHECKED	



FILE NAME =
 c:\pw_work\pwidot\teasleyck\d0348300\0774627-shr-xs-RR128.dgn
 Default

USER NAME = teasleyck	DESIGNED -	REVISED -
	DRAWN -	REVISED -
PLOT SCALE = 10.0000' / in.	CHECKED -	REVISED -
PLOT DATE = 12/19/2013	DATE -	REVISED -

**STATE OF ILLINOIS
 DEPARTMENT OF TRANSPORTATION**

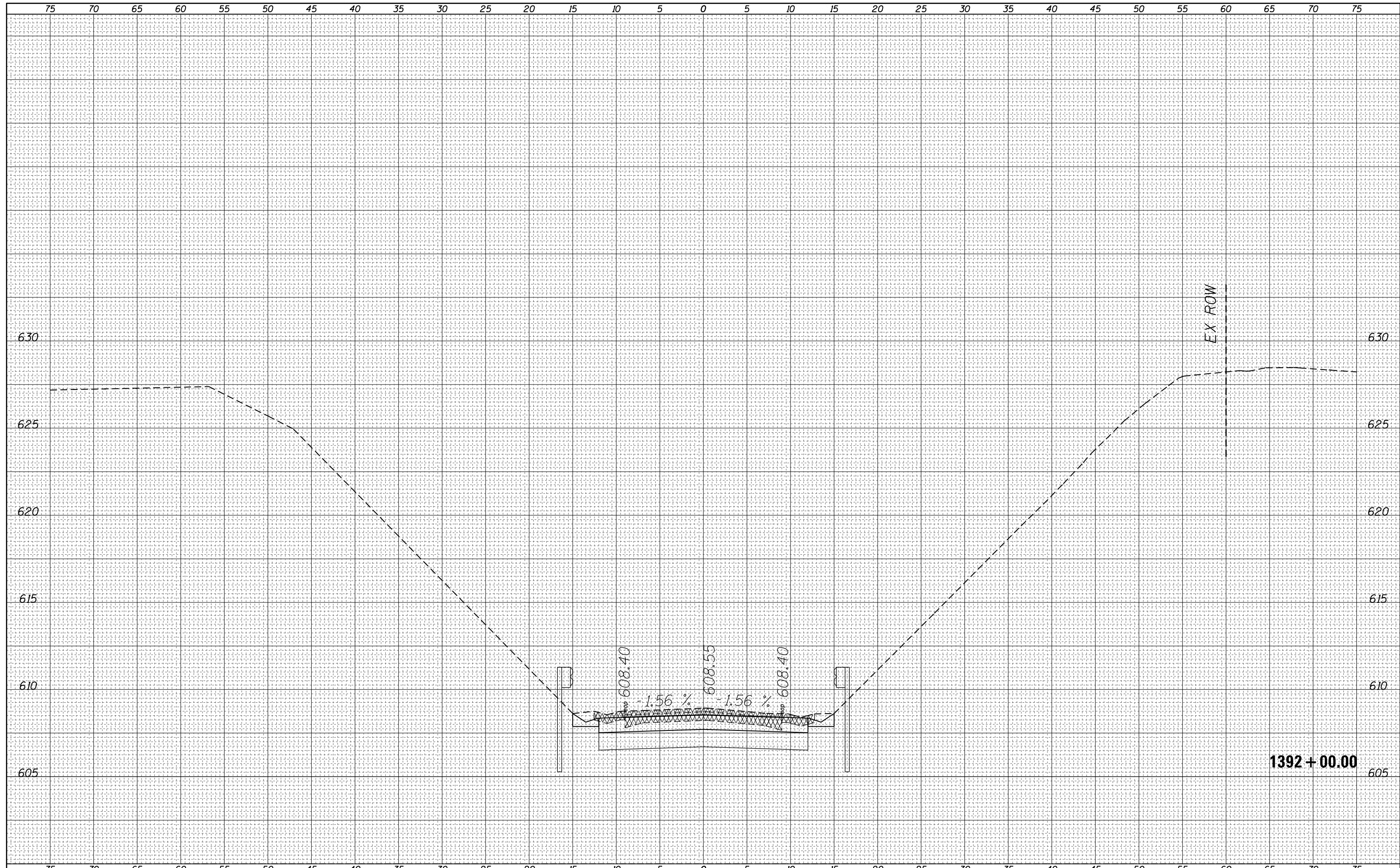
IL 128 CROSS SECTIONS

SCALE: SHEET OF SHEETS STA. 1391+00.00 TO STA. 1391+00.00

F.A.S. RTE.	SECTION	COUNTY	TOTAL SHEETS	SHEET NO.
2801			22	19
D7 DRAINAGE REHAB 2014-1			CONTRACT NO. 74627	
ILLINOIS FED. AID PROJECT				

FINAL SURVEY NO.	SURVEYED	DATE
NOTE BOOK	PLOTTED	
AREAS CHECKED	TEMPLATE	
	AREAS CHECKED	

ORIGINAL SURVEY NO.	SURVEYED	DATE
NOTE BOOK	PLOTTED	
AREAS CHECKED	TEMPLATE	
	AREAS CHECKED	



FILE NAME =
 c:\pw_work\pwidot\teasleyck\d0348300\0774627-shr-xs-RR128.dgn
 Default

USER NAME = teasleyck	DESIGNED -	REVISED -
	DRAWN -	REVISED -
PLOT SCALE = 10.0000' / in.	CHECKED -	REVISED -
PLOT DATE = 12/19/2013	DATE -	REVISED -

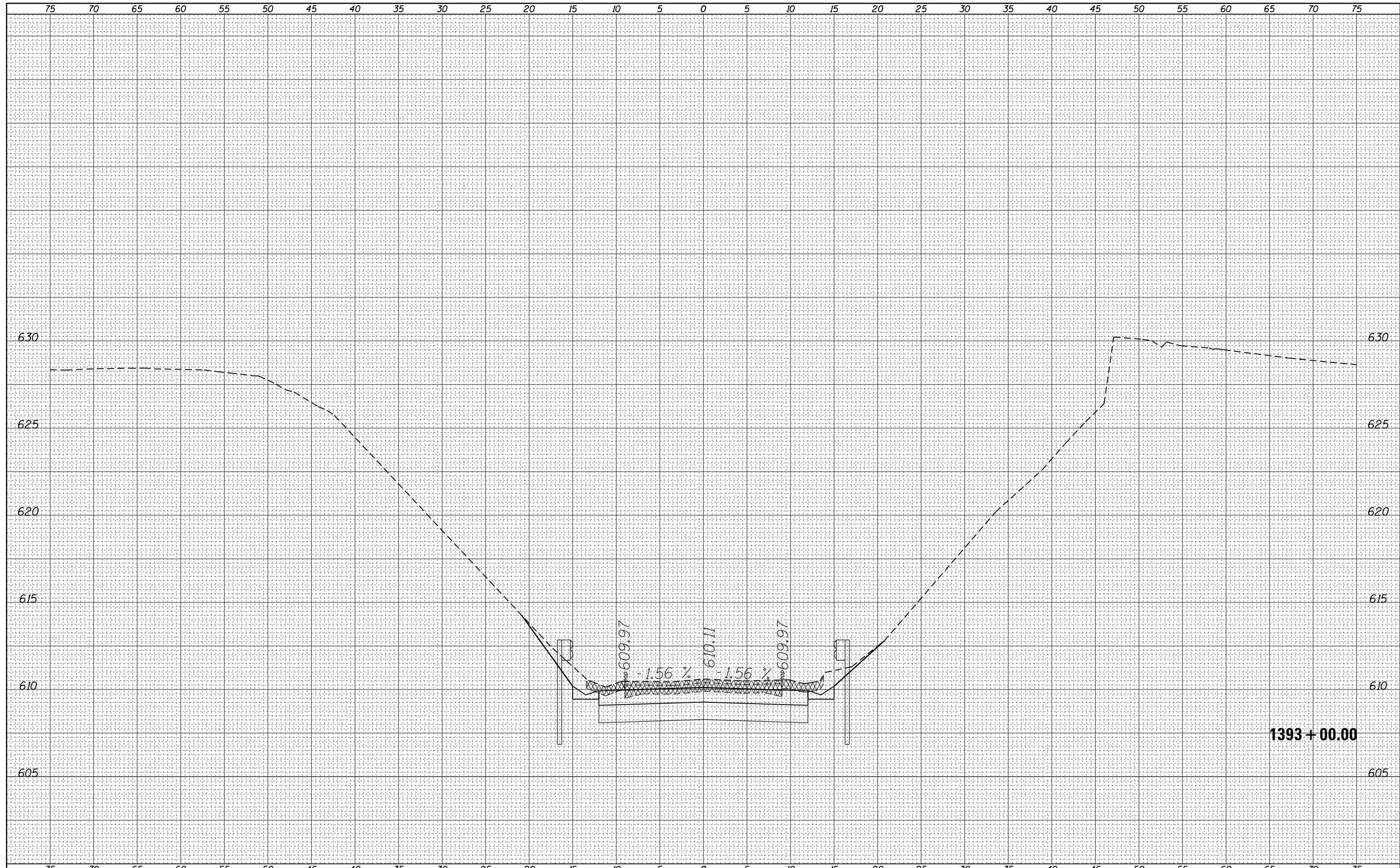
**STATE OF ILLINOIS
 DEPARTMENT OF TRANSPORTATION**

IL 128 CROSS SECTIONS
 SCALE: SHEET OF SHEETS STA. 1392+00.00 TO STA. 1392+00.00

F.A.S. RTE.	SECTION	COUNTY	TOTAL SHEETS	SHEET NO.
2801		Eff./Fay.	22	20
• D7 DRAINAGE REHAB 2014-1			CONTRACT NO. 74627	
ILLINOIS FED. AID PROJECT				

DATE	
BY	
SURVEYED	
PLOTTED	
TEMPLATE	
AREAS	
CHECKED	
FINAL SURVEY	
NOTE BOOK	
NO.	

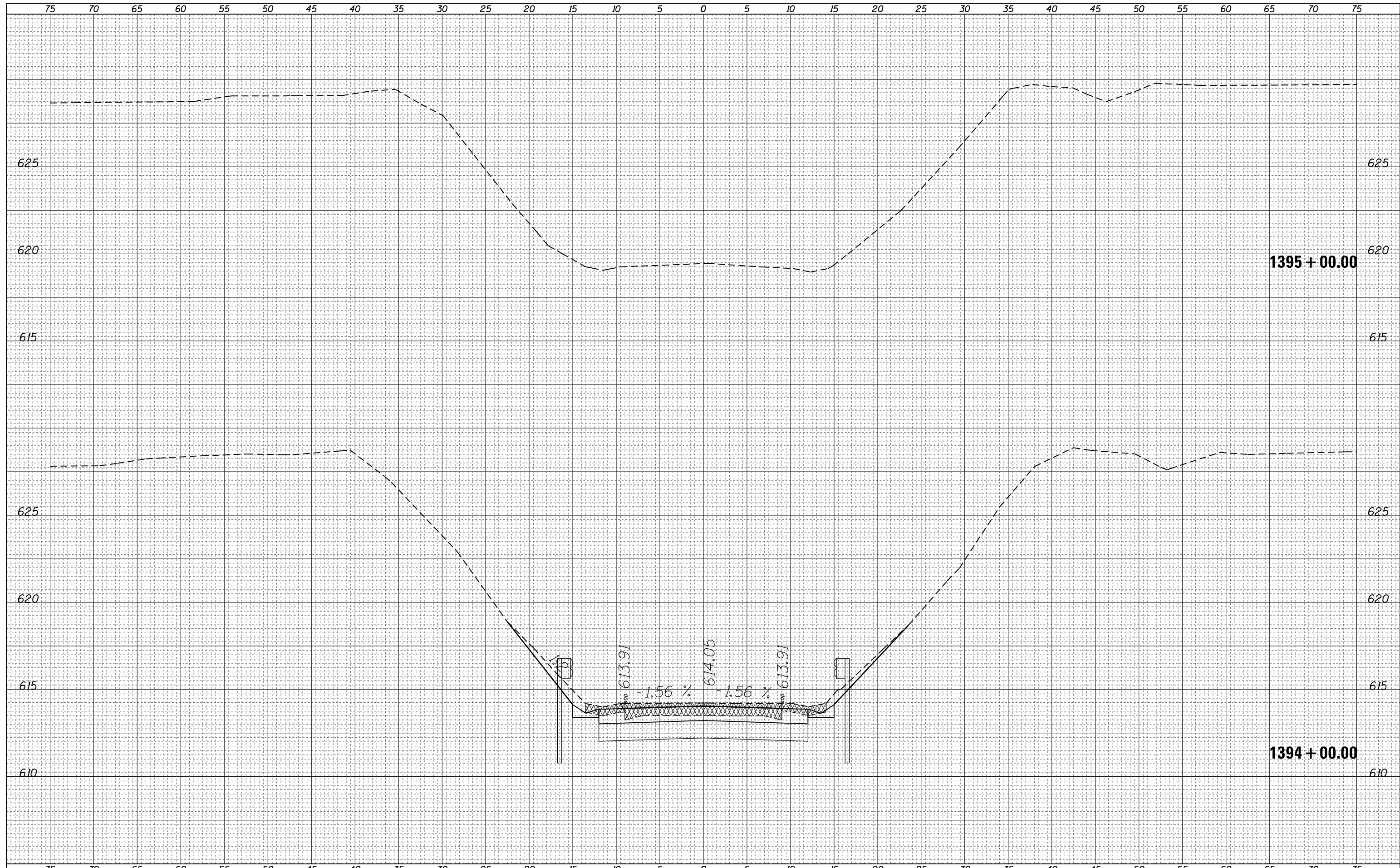
DATE	
BY	
SURVEYED	
PLOTTED	
TEMPLATE	
AREAS	
CHECKED	
ORIGINAL SURVEY	
NOTE BOOK	
NO.	



FILE NAME =	USER NAME = teasleyck	DESIGNED -	REVISED -	STATE OF ILLINOIS DEPARTMENT OF TRANSPORTATION	IL 128 CROSS SECTIONS	F.A.S. RTE.	SECTION	COUNTY	TOTAL SHEETS	SHEET NO.
c:\pw_work\pwidot\teasleyck\d0348300\0774627-sht-xs-RR128.dgn	DRAWN -	REVISED -	2801				Eff./Fay.	22	21	
Default	PLOT SCALE = 10.0000' / in.	CHECKED -	REVISED -			• D7 DRAINAGE REHAB 2014-1		CONTRACT NO. 74627		
	PLOT DATE = 12/19/2013	DATE -	REVISED -			ILLINOIS FED. AID PROJECT		SCALE: SHEET OF SHEETS STA. 1393+00.00 TO STA. 1393+00.00		

DATE	
BY	
FINAL SURVEY NO.	
SURVEYED PLOTTED	
NOTE BOOK TEMPLATE	
AREAS AREAS CHECKED	

DATE	
BY	
ORIGINAL SURVEY NO.	
SURVEYED PLOTTED	
NOTE BOOK TEMPLATE	
AREAS AREAS CHECKED	



FILE NAME =
 c:\pw_work\pwidot\teasleyck\d0348300\0774627-sht-xs-RR128.dgn
 Default

USER NAME = teasleyck
 DESIGNED -
 DRAWN -
 PLOT SCALE = 10.0000' / in.
 PLOT DATE = 12/19/2013

REVISIED -
 REVISIED -
 REVISIED -
 REVISIED -

**STATE OF ILLINOIS
 DEPARTMENT OF TRANSPORTATION**

IL 128 CROSS SECTIONS

SCALE: SHEET OF SHEETS STA. 1394+00.00 TO STA. 1395+00.00

F.A.S. RTE.	SECTION	COUNTY	TOTAL SHEETS	SHEET NO.
2801		Eff./Fay.	22	22
D7 DRAINAGE REHAB 2014-1			CONTRACT NO. 74627	
ILLINOIS FED. AID PROJECT				