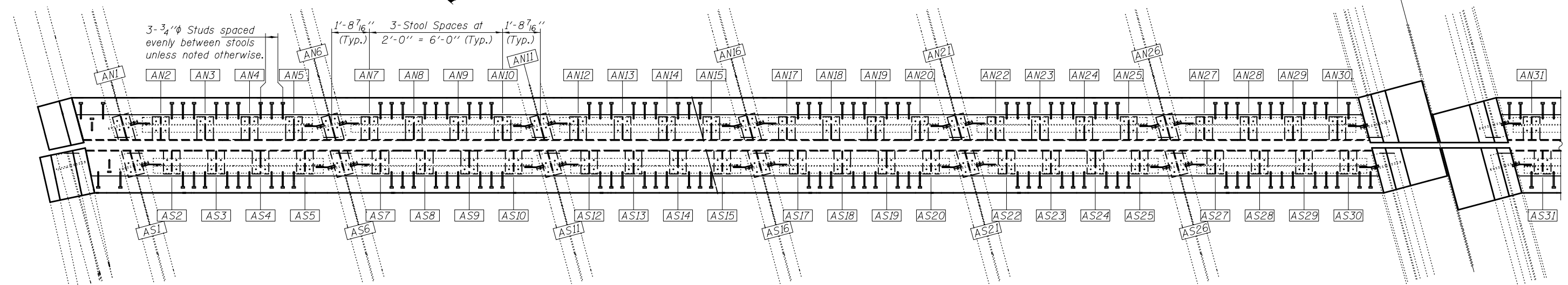
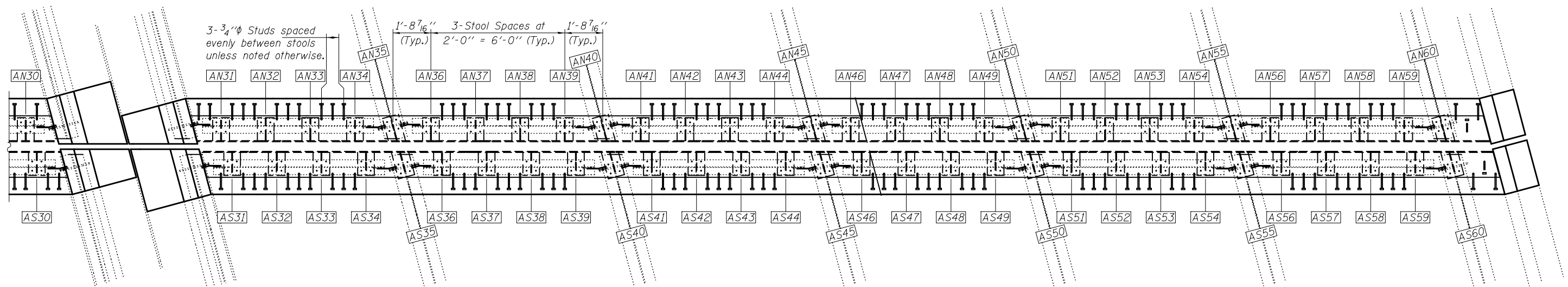


**PARTIAL CROSS SECTION**



**PARTIAL PLAN (PIER 2)**



**PARTIAL PLAN (PIER 2)**

DESIGNED <i>ATH</i>	EXAMINED <i>Timothy A. Anzani</i>	DATE <i>JANUARY 22, 2014</i>	<b>STATE OF ILLINOIS DEPARTMENT OF TRANSPORTATION</b>	<b>FINGER PLATE DETAILS AT PIER 2 SN 082-0227</b>	F.A.I. RTE. 255	SECTION 82-4HVB-1	COUNTY ST. CLAIR	TOTAL SHEETS 46	SHEET NO. 30		
CHECKED <i>VHV</i>	PASSED <i>Carl Pinger</i>	REVISED			CONTRACT NO. 76D51		ILLINOIS FED. AID PROJECT				
DRAWN <i>Steffen</i>	ACTING ENGINEER OF BRIDGES AND STRUCTURES	REVISED			SHEET NO. 8 OF 17 SHEETS						
CHECKED <i>ATH VHV</i>	ACTING ENGINEER OF STRUCTURAL SERVICES	REVISED									