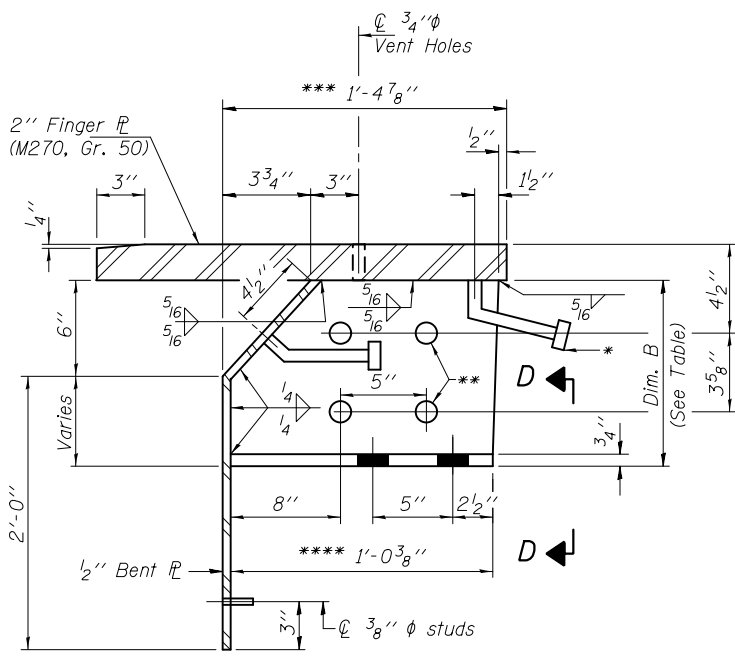


STOOL "A" DETAILS AT PIER 2

DIMENSION "A" AT PIER 2

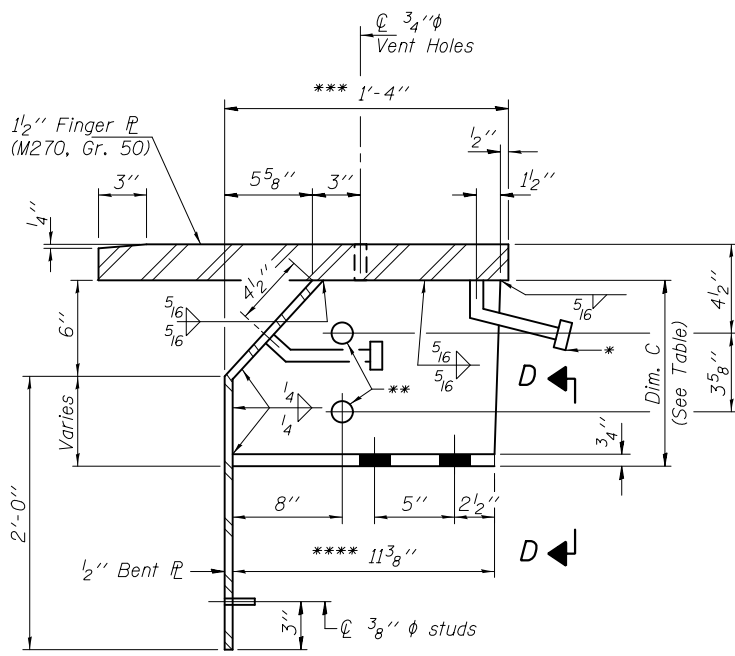
Stool No.	Dim. A	Stool No.	Dim. A	Stool No.	Dim. A	Stool No.	Dim. A
AS1	7 ⁵ / ₈ "	AS31	11 ¹ / ₂ "	AN1	7 ³ / ₈ "	AN31	11 ¹ / ₄ "
AS2	17 ⁷ / ₁₆ "	AS32	12 ⁷ / ₁₆ "	AN2	17 ⁵ / ₁₆ "	AN32	12 ³ / ₁₆ "
AS3	17 ⁷ / ₈ "	AS33	13 ³ / ₈ "	AN3	17 ¹³ / ₁₆ "	AN33	13 ³ / ₁₆ "
AS4	18 ³ / ₈ "	AS34	14 ³ / ₈ "	AN4	18 ¹ / ₄ "	AN34	14 ¹ / ₈ "
AS5	18 ⁷ / ₈ "	AS35	7 ⁷ / ₁₆ "	AN5	18 ³ / ₄ "	AN35	7 ³ / ₈ "
AS6	7 ² / ₂ "	AS36	15 ¹⁵ / ₁₆ "	AN6	7 ⁷ / ₁₆ "	AN36	15 ¹⁵ / ₁₆ "
AS7	19 ² / ₂ "	AS37	16 ³ / ₈ "	AN7	19 ³ / ₈ "	AN37	16 ³ / ₁₆ "
AS8	19 ⁷ / ₈ "	AS38	16 ⁷ / ₈ "	AN8	19 ³ / ₄ "	AN38	16 ⁵ / ₈ "
AS9	20 ¹ / ₄ "	AS39	17 ⁵ / ₁₆ "	AN9	20 ¹ / ₈ "	AN39	17 ¹ / ₈ "
AS10	20 ⁹ / ₁₆ "	AS40	7 ² / ₂ "	AN10	20 ¹ / ₂ "	AN40	7 ⁷ / ₁₆ "
AS11	7 ¹ / ₂ "	AS41	18 ¹ / ₈ "	AN11	7 ⁷ / ₁₆ "	AN41	17 ¹⁵ / ₁₆ "
AS12	21 ³ / ₁₆ "	AS42	18 ⁵ / ₈ "	AN12	21 ¹ / ₁₆ "	AN42	18 ⁷ / ₁₆ "
AS13	20 ¹⁵ / ₁₆ "	AS43	19"	AN13	20 ³ / ₁₆ "	AN43	18 ¹³ / ₁₆ "
AS14	20 ⁹ / ₁₆ "	AS44	19 ³ / ₈ "	AN14	20 ⁷ / ₁₆ "	AN44	19 ³ / ₁₆ "
AS15	20 ³ / ₁₆ "	AS45	7 ¹ / ₂ "	AN15	20 ¹ / ₁₆ "	AN45	7 ⁷ / ₁₆ "
AS16	7 ⁹ / ₁₆ "	AS46	20"	AN16	7 ³ / ₈ "	AN46	19 ³ / ₄ "
AS17	19 ⁹ / ₁₆ "	AS47	20 ⁵ / ₁₆ "	AN17	19 ⁷ / ₁₆ "	AN47	20 ¹ / ₈ "
AS18	19 ³ / ₁₆ "	AS48	20 ¹ / ₁₆ "	AN18	19 ¹ / ₁₆ "	AN48	20 ² / ₂ "
AS19	18 ³ / ₄ "	AS49	20 ¹⁵ / ₁₆ "	AN19	18 ¹ / ₁₆ "	AN49	20 ³ / ₄ "
AS20	18 ⁵ / ₁₆ "	AS50	7 ¹ / ₂ "	AN20	18 ¹³ / ₁₆ "	AN50	7 ⁷ / ₁₆ "
AS21	7 ¹ / ₂ "	AS51	20 ⁵ / ₁₆ "	AN21	7 ⁷ / ₁₆ "	AN51	20 ¹ / ₈ "
AS22	17 ⁷ / ₁₆ "	AS52	19 ¹⁵ / ₁₆ "	AN22	17 ³ / ₈ "	AN52	19 ³ / ₄ "
AS23	17"	AS53	19 ⁹ / ₁₆ "	AN23	16 ¹ / ₈ "	AN53	19 ³ / ₈ "
AS24	16 ¹ / ₂ "	AS54	19 ³ / ₁₆ "	AN24	16 ³ / ₈ "	AN54	19"
AS25	16"	AS55	7 ⁷ / ₁₆ "	AN25	15 ⁷ / ₈ "	AN55	7 ³ / ₈ "
AS26	7 ¹ / ₂ "	AS56	18 ⁹ / ₁₆ "	AN26	7 ¹ / ₁₆ "	AN56	18 ⁵ / ₁₆ "
AS27	14 ⁷ / ₁₆ "	AS57	18 ¹ / ₁₆ "	AN27	14 ⁵ / ₁₆ "	AN57	17 ¹³ / ₁₆ "
AS28	13 ⁷ / ₁₆ "	AS58	17 ⁹ / ₁₆ "	AN28	13 ³ / ₈ "	AN58	17 ⁵ / ₁₆ "
AS29	12 ¹ / ₂ "	AS59	17 ¹ / ₁₆ "	AN29	12 ³ / ₈ "	AN59	16 ⁷ / ₈ "
AS30	11 ¹ / ₂ "	AS60	7 ⁵ / ₈ "	AN30	11 ³ / ₈ "	AN60	7 ³ / ₈ "



STOOL "B" DETAILS AT PIER 6

DIMENSION "B" AT PIER 6

Stool No.	Dim. B	Stool No.	Dim. B	Stool No.	Dim. B	Stool No.	Dim. B
BS1	7 ³ / ₁₆ "	BS31	11 ¹ / ₈ "	BN1	7"	BN31	11"
BS2	15 ⁹ / ₁₆ "	BS32	12 ¹ / ₈ "	BN2	15 ⁷ / ₁₆ "	BN32	12"
BS3	16 ¹ / ₈ "	BS33	13 ¹ / ₈ "	BN3	15 ¹⁵ / ₁₆ "	BN33	13"
BS4	16 ⁵ / ₈ "	BS34	14 ³ / ₁₆ "	BN4	16 ¹ / ₂ "	BN34	14"
BS5	17 ³ / ₁₆ "	BS35	7 ³ / ₁₆ "	BN5	17"	BN35	7 ¹ / ₁₆ "
BS6	7 ¹ / ₁₆ "	BS36	15 ¹³ / ₁₆ "	BN6	7 ¹ / ₁₆ "	BN36	15 ⁵ / ₈ "
BS7	17 ⁷ / ₈ "	BS37	16 ⁵ / ₁₆ "	BN7	17 ³ / ₄ "	BN37	16 ³ / ₁₆ "
BS8	18 ⁵ / ₁₆ "	BS38	16 ⁷ / ₈ "	BN8	18 ¹ / ₈ "	BN38	16 ¹ / ₁₆ "
BS9	18 ¹ / ₁₆ "	BS39	17 ³ / ₈ "	BN9	18 ⁹ / ₁₆ "	BN39	17 ¹ / ₄ "
BS10	19 ¹ / ₈ "	BS40	7 ⁸ / ₈ "	BN10	18 ¹⁵ / ₁₆ "	BN40	6 ¹⁵ / ₁₆ "
BS11	7 ³ / ₁₆ "	BS41	18 ¹ / ₄ "	BN11	7"	BN41	18 ¹ / ₈ "
BS12	19 ³ / ₁₆ "	BS42	18 ¹³ / ₁₆ "	BN12	19 ⁵ / ₈ "	BN42	18 ⁵ / ₈ "
BS13	19 ⁹ / ₁₆ "	BS43	19 ¹ / ₄ "	BN13	19 ⁷ / ₁₆ "	BN43	19 ¹ / ₁₆ "
BS14	19 ¹ / ₄ "	BS44	19 ⁵ / ₈ "	BN14	19 ¹ / ₈ "	BN44	19 ² / ₂ "
BS15	18 ¹⁵ / ₁₆ "	BS45	7 ¹ / ₈ "	BN15	18 ¹³ / ₁₆ "	BN45	6 ¹⁵ / ₁₆ "
BS16	7 ¹ / ₈ "	BS46	20 ⁵ / ₁₆ "	BN16	6 ¹⁵ / ₁₆ "	BN46	20 ³ / ₁₆ "
BS17	18 ⁷ / ₁₆ "	BS47	20 ³ / ₄ "	BN17	18 ¹ / ₄ "	BN47	20 ⁹ / ₁₆ "
BS18	18 ¹ / ₁₆ "	BS48	21 ¹ / ₈ "	BN18	17 ¹⁵ / ₁₆ "	BN48	21"
BS19	17 ³ / ₄ "	BS49	21 ⁷ / ₁₆ "	BN19	17 ⁹ / ₁₆ "	BN49	21 ⁵ / ₁₆ "
BS20	17 ¹ / ₁₆ "	BS50	7 ¹ / ₁₆ "	BN20	17 ¹ / ₁₆ "	BN50	7 ¹ / ₁₆ "
BS21	7 ¹ / ₄ "	BS51	20 ⁷ / ₈ "	BN21	7"	BN51	20 ³ / ₄ "
BS22	16 ⁹ / ₁₆ "	BS52	20 ⁹ / ₁₆ "	BN22	16 ³ / ₈ "	BN52	20 ⁷ / ₁₆ "
BS23	16 ¹ / ₈ "	BS53	20 ¹ / ₄ "	BN23	15 ¹⁵ / ₁₆ "	BN53	20 ¹ / ₈ "
BS24	15 ¹ / ₁₆ "	BS54	19 ¹⁵ / ₁₆ "	BN24	15 ¹ / ₂ "	BN54	19 ³ / ₈ "
BS25	15 ¹ / ₄ "	BS55	7 ¹ / ₈ "	BN25	15 ¹ / ₁₆ "	BN55	7"
BS26	7 ¹ / ₄ "	BS56	19 ⁵ / ₁₆ "	BN26	7"	BN56	19 ³ / ₁₆ "
BS27	13 ³ / ₈ "	BS57	18 ⁷ / ₈ "	BN27	13 ⁹ / ₁₆ "	BN57	18 ³ / ₄ "
BS28	12 ¹³ / ₁₆ "	BS58	18 ⁷ / ₁₆ "	BN28	12 ⁵ / ₈ "	BN58	18 ⁵ / ₁₆ "
BS29	11 ⁷ / ₈ "	BS59	18"	BN29	11 ³ / ₄ "	BN59	17 ³ / ₄ "
BS30	10 ¹⁵ / ₁₆ "	BS60	7 ⁷ / ₁₆ "	BN30	10 ¹³ / ₁₆ "	BN60	7 ¹ / ₈ "



STOOL "C" DETAILS AT N. ABUT.

DIMENSION "C" AT N. ABUT.

Stool No.	Dim. C	Stool No.	Dim. C
C1	7 ⁷ / ₁₆ "	C31	11 ⁵ / ₈ "
C2	14 ⁵ / ₁₆ "	C32	12 ³ / ₄ "
C3	14 ¹⁵ / ₁₆ "	C33	13 ¹³ / ₁₆ "
C4	15 ¹ / ₂ "	C34	14 ⁷ / ₈ "
C5	16 ¹ / ₁₆ "	C35	7 ⁷ / ₁₆ "
C6	7 ² / ₂ "	C36	16 ⁹ / ₁₆ "
C7	16 ⁷ / ₈ "	C37	17 ³ / ₁₆ "
C8	17 ³ / ₈ "	C38	17 ³ / ₄ "
C9	17 ¹³ / ₁₆ "	C39	18 ⁵ / ₁₆ "
C10	18 ⁵ / ₁₆ "	C40	7 ² / ₂ "
C11	7 ¹ / ₂ "	C41	19 ⁵ / ₁₆ "
C12	19 ¹ / ₁₆ "	C42	19 ¹⁵ / ₁₆ "
C13	18 ¹⁵ / ₁₆ "	C43	20 ⁷ / ₁₆ "
C14	18 ¹ / ₁₆ "	C44	20 ⁷ / ₈ "
C15	18 ³ / ₈ "	C45	7 ⁹ / ₁₆ "
C16	7 ⁷ / ₁₆ "	C46	21 ¹ / ₁₆ "
C17	17 ¹⁵ / ₁₆ "	C47	22 ¹ / ₈ "
C18	17 ¹ / ₁₆ "	C48	22 ⁹ / ₁₆ "
C19	17 ³ / ₈ "	C49	22 ¹⁵ / ₁₆ "
C20	17"	C50	7 ¹ / ₁₆ "
C21	7 ⁹ / ₁₆ "	C51	22 ¹ / ₂ "
C22	16 ³ / ₈ "	C52	22 ¹ / ₄ "
C23	16"	C53	21 ¹⁵ / ₁₆ "
C24	15 ⁹ / ₁₆ "	C54	21 ¹ / ₁₆ "
C25	15 ³ / ₁₆ "	C55	7 ¹ / ₂ "
C26	7 ¹ / ₁₆ "	C56	21 ³ / ₁₆ "
C27	13 ¹³ / ₁₆ "	C57	20 ¹³ / ₁₆ "
C28	12 ¹⁵ / ₁₆ "	C58	20 ⁷ / ₁₆ "
C29	12 ¹ / ₁₆ "	C59	20 ¹ / ₁₆ "
C30	11 ³ / ₁₆ "	C60	7 ⁷ / ₁₆ "

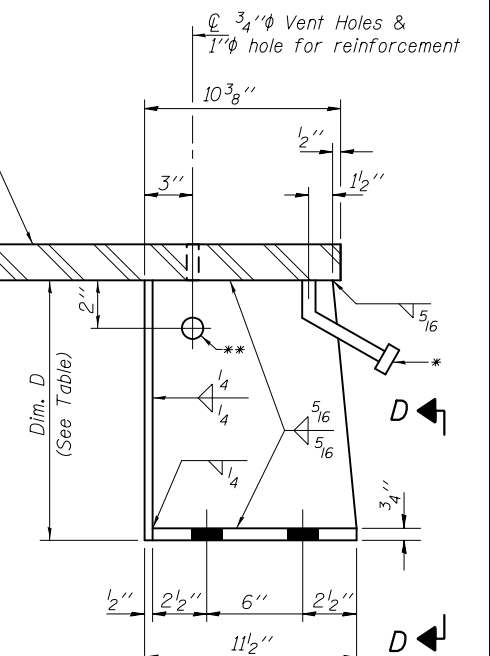
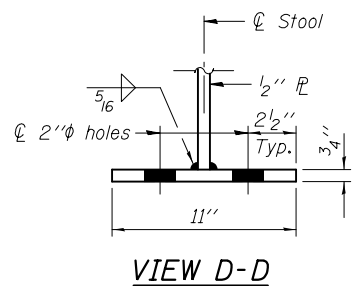
* 3/4" x 8" granular or solid flux filled headed studs conforming to Art. 1006.32 of the Std. Specs. automatically end welded.

** Drill 1" holes in stools for transverse reinforcement. String reinforcement prior to installing Finger PL Jt. (Dims. at Rt. L's)

*** at right angle to joint.

**** Varies at Stringers. (See Table below)

Stool	Max.	Min.
Stool A	1'-2 ¹ / ₈ "	11 ³ / ₁₆ "
Stool B	1'-2 ¹ / ₈ "	11 ¹ / ₈ "
Stool C	1'-1 ¹ / ₁₆ "	10 ¹ / ₈ "



STOOL "D" DETAILS AT N. ABUT.

DIMENSION "D" AT N. ABUT.

Stool No.	Dim. D	Stool No.	Dim. D
D1	11 ¹ / ₄ "	D30	9 ¹ / ₄ "
D2	11 ¹ / ₈ "	D31	10 ⁵ / ₁₆ "
D3	12 ⁷ / ₁₆ "	D32	11 ³ / ₈ "
D4	13 ¹ / ₁₆ "	D33	12 ⁷ / ₁₆ "
D5	13 ⁵ / ₈ "	D34	13 ² / ₂ "
D6	14 ³ / ₁₆ "	D35	14 ¹ / ₁₆ "
D7	14 ⁵ / ₈ "	D36	15"
D8	15 ¹ / ₁₆ "	D37	15 ⁵ / ₈ "
D9	15 ⁹ / ₁₆ "	D38	16 ³ / ₁₆ "
D10	16"	D39	16 ³ / ₄ "
D11	16 ¹ / ₂ "	D40	17 ⁵ / ₁₆ "
D12	16 ¹⁵ / ₁₆ "	D41	17 ¹⁵ / ₁₆ "
D13	16 ⁵ / ₈ "	D42	18 ³ / ₈ "
D14	16 ³ / ₈ "	D43	18 ¹³ / ₁₆ "
D15	16 ¹ / ₁₆ "	D44	19 ⁵ / ₁₆ "
D16	15 ¹³ / ₁₆ "	D45	19 ³ / ₄ "
D17	15 ⁹ / ₁₆ "	D46	20 ³ / ₁₆ "
D18	15 ⁵ / ₁₆ "	D47	20 ³ / ₄ "
D19	14 ¹⁵ / ₁₆ "	D48	20 ¹ / ₂ "
D20	14 ⁹ / ₁₆ "	D49	20 ¹ / ₄ "
D21	14 ³ / ₁₆ "	D50	19 ¹⁵ / ₁₆ "
D22	13 ¹³ / ₁₆ "	D51	19 ¹ / ₁₆ "
D23	13 ³ / ₈ "	D52	19 ⁷ / ₁₆ "
D24	13"	D53	19 ³ / ₁₆ "
D25	12 ⁵ / ₁₆ "	D54	18 ¹³ / ₁₆ "
D26	11 ⁷ / ₁₆ "	D55	18 ⁷ / ₁₆ "
D27	10 ⁹ / ₁₆ "	D56	18 ¹ / ₁₆ "
D28	9 ¹ / ₁₆ "	D57	17 ¹ / ₁₆ "
D29	8 ⁷ / ₈ "	D58	17 ⁵ / ₁₆ "