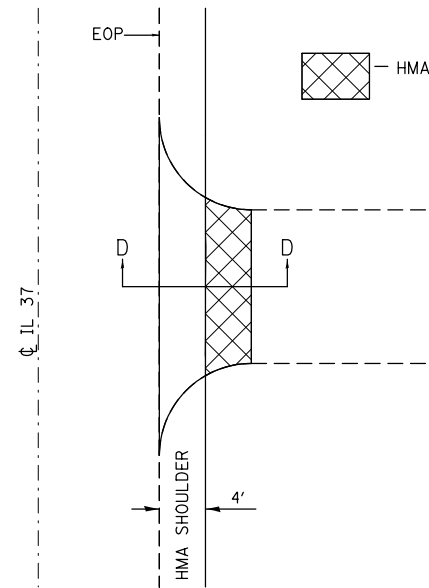


P.C.C. SIDEROAD/ENTRANCE DETAIL

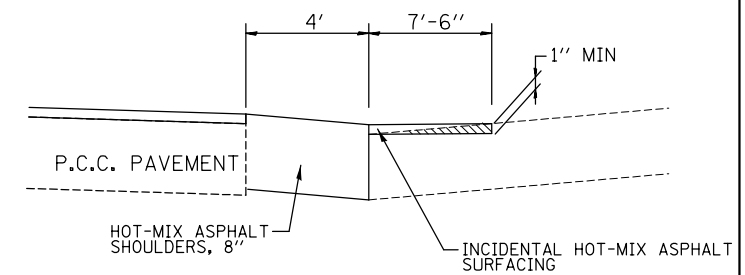
STA. 568+81
STA. 569+87

NOT TO SCALE

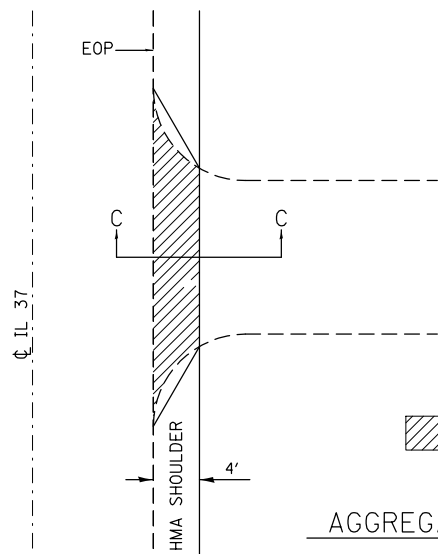


HMA ENTRANCE DETAIL

NOT TO SCALE



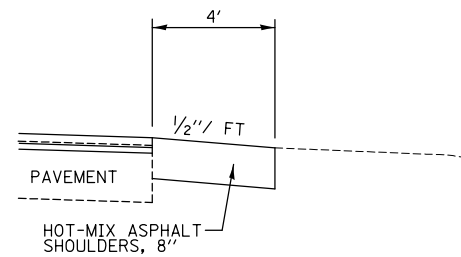
SEC D-D



AGGREGATE, OIL & CHIP AND FIELD ENTRANCE DETAIL

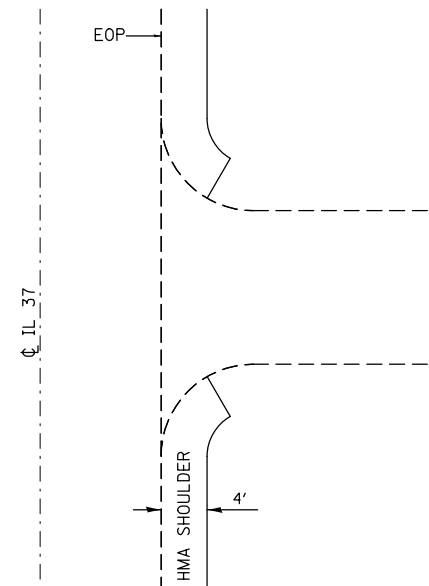
O&C STA. 554+14

NOT TO SCALE



EARTH EXCAVATION

SEC C-C



HMA SIDEROAD DETAIL

STA. 348+11
STA. 379+79
STA. 390+35
STA. 416+75
STA. 437+87
STA. 495+84
STA. 495+84
STA. 548+72
STA. 548+72
STA. 560+39
STA. 590+46

NOT TO SCALE

FILE NAME =	USER NAME = millerra	DESIGNED -	REVISED -
et:\pw\work\p\dot\millerra\0351138\d87869-sht-plan.dgn		DRAWN -	REVISED -
	PLOT SCALE = 100.0000' / in.	CHECKED -	REVISED -
	PLOT DATE = 12/3/2013	DATE -	REVISED -

**STATE OF ILLINOIS
DEPARTMENT OF TRANSPORTATION**

ENTRANCE/SIDE ROAD DETAILS

SCALE: NTS SHEET NO. OF SHEETS STA. TO STA.

F.A.S. RTE.	SECTION	COUNTY	TOTAL SHEETS	SHEET NO.
2701	105,106-I	MARION	9	8
CONTRACT NO. 76G69				
FED. ROAD DIST. NO. ILLINOIS FED. AID PROJECT				