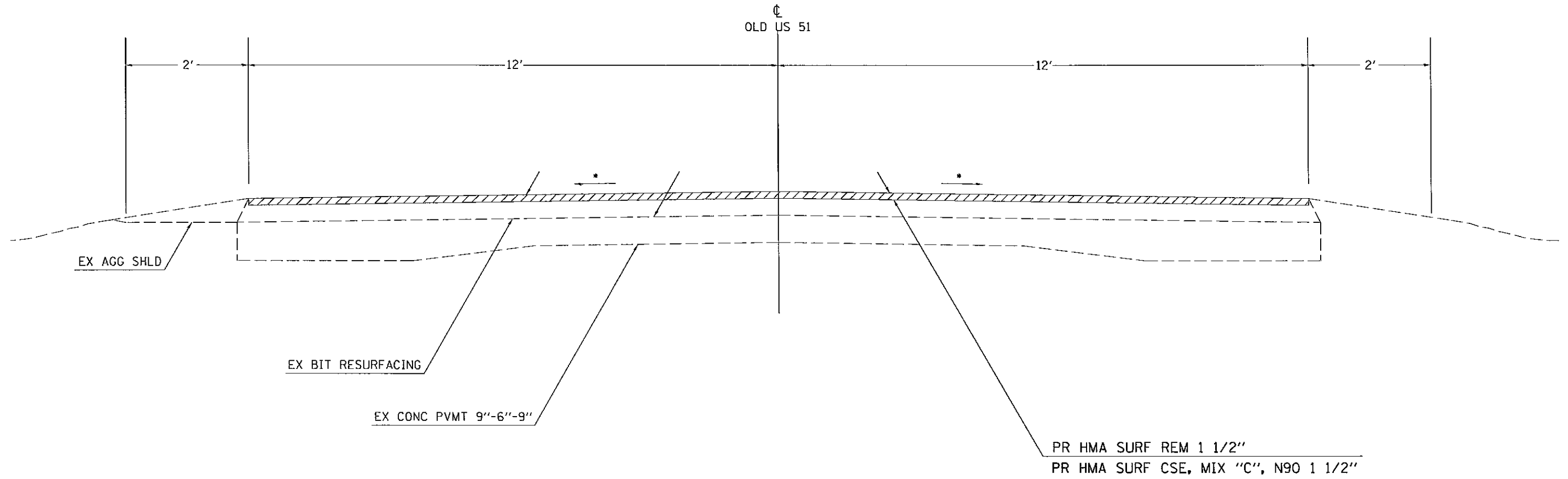


TYPICAL SECTION



* MATCH EXISTING SLOPE

FILE NAME =	USER NAME = Stoverpg	DESIGNED - _____	REVISED - _____	STATE OF ILLINOIS DEPARTMENT OF TRANSPORTATION	TYPICAL SECTION - OLD US 51	F.A.S. RTE.	SECTION	COUNTY	TOTAL SHEETS	SHEET NO.	
ci:\pw\work\p\dot\stoverpg\d8361384\DX...	ca: CAD.dgn	DRAWN - _____	REVISED - _____			1911	12RS-2	UNION	10	6	
Default	PLOT SCALE = 100.0000 / in.	CHECKED - _____	REVISED - _____			CONTRACT NO. 78387					
	PLOT DATE = 12/5/2013	DATE - _____	REVISED - _____			ILLINOIS FED. AID PROJECT					
					SCALE: _____		SHEET _____ OF _____ SHEETS		STA. 889+10 TO STA. 922+64		