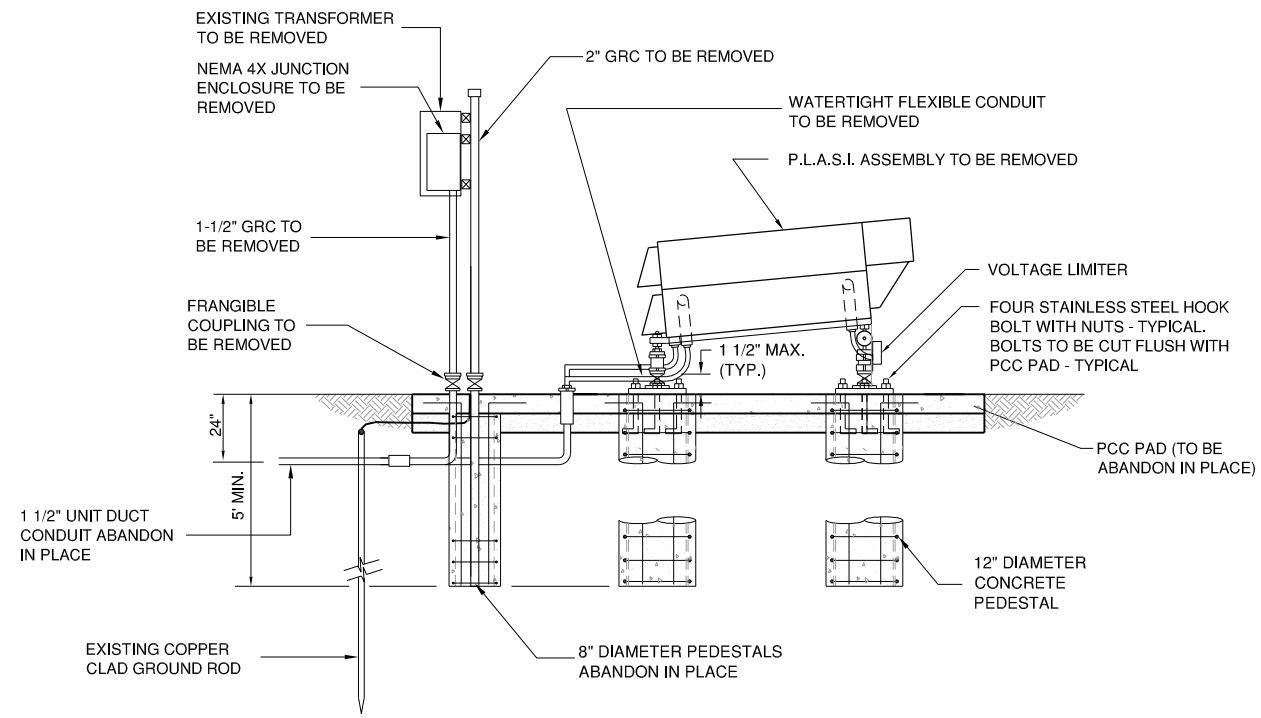
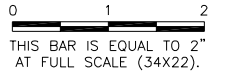
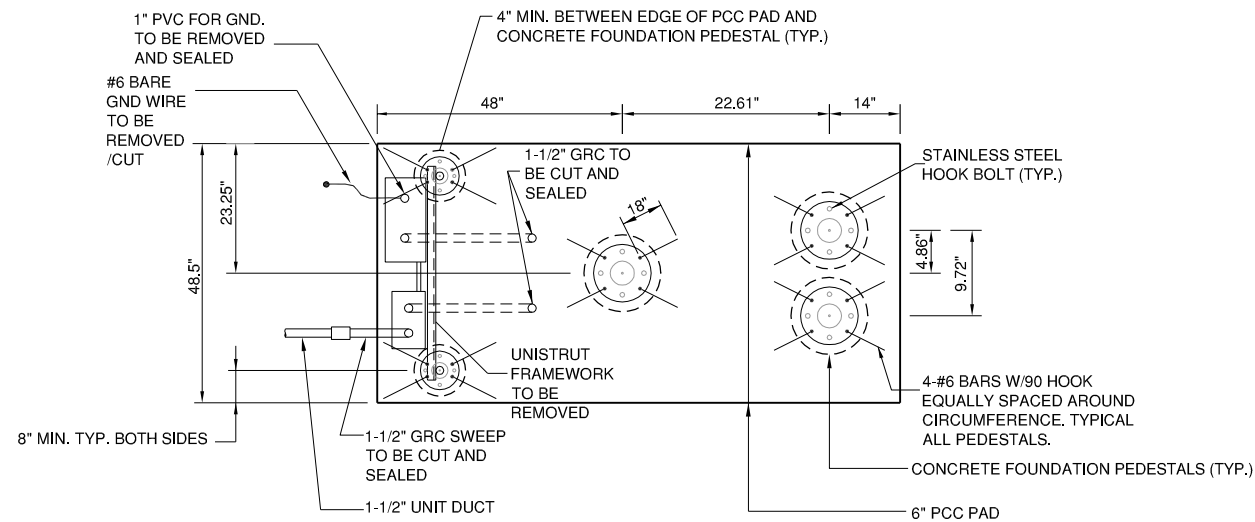


PO017

REVISIONS		
NUMBER	BY	DATE




ELEVATION VIEW



PLAN VIEW

EXISTING PLASI DETAILS
 N.T.S.

PONTIAC MUNICIPAL AIRPORT
PONTIAC, ILLINOIS
INSTALL VISUAL NAVIGATIONAL AID (PAPI) SYSTEM
PLASI REMOVAL DETAIL

© Copyright CMT, Inc.

CMT
 CRAWFORD, MURPHY & TILLY, INC.
 CONSULTING ENGINEERS
 License No. 184-000613

DESIGN BY:	JEF
DRAWN BY:	CMT
CHECKED BY:	JEF
APPROVED BY:	CET
DATE:	NOVEMBER 15, 2013
JOB No:	1305403
IL. PROJ. NO. PNT-4340 AIP PROJ. NO. 3-17-SBGP-XX	
SHEET	07 OF 11 SHEETS