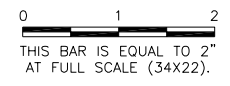


**VE049**

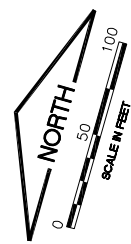
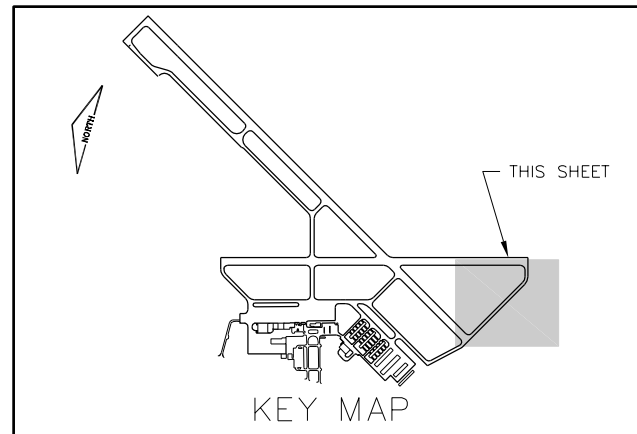
REVISIONS		
NUMBER	BY	DATE



**VERMILION REGIONAL AIRPORT AUTHORITY**  
**VERMILION REGIONAL AIRPORT**  
**DANVILLE, ILLINOIS**  
**REHABILITATE LIGHTS ON RUNWAY 16/34**  
**ELECTRICAL SITE PLAN 4**

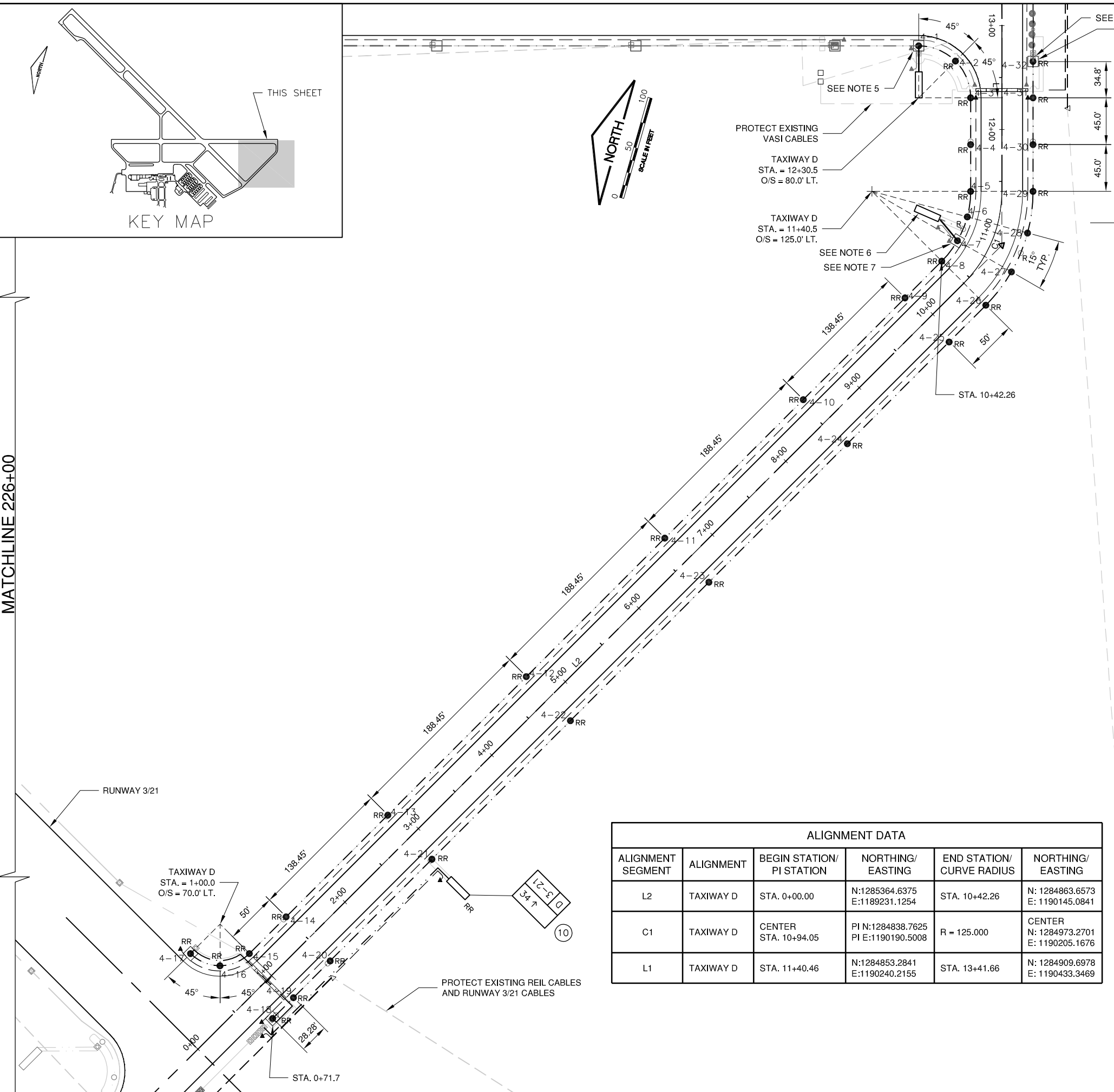
© Copyright CMT, Inc.  
**CMT**  
 CRAWFORD, MURPHY & TILL Y, INC.  
 CONSULTING ENGINEERS  
 License No. 184-000613

DESIGN BY:	TJH
DRAWN BY:	CMT
CHECKED BY:	AJB
APPROVED BY:	CET
DATE:	JANUARY 3, 2014
JOB No:	13042-01
IL. PROJ. NO. DNV-4234 PROJ. NO. 3-17-SBGP-XX	
SHEET 11 OF 14 SHEETS	



MATCHLINE 226+00

K:\Drawings\1304201\Drawn\Sheets



**LEGEND**

	NEW STAKE MOUNTED RUNWAY LIGHT (BASE BID)
	NEW BASE MOUNTED RUNWAY LIGHT (BASE BID)
	NEW RUNWAY THRESHOLD LIGHT (BASE BID)
	EXISTING AIRFIELD SIGN TO BE REMOVED AND REPLACED
	NEW RUNWAY 16/34 CIRCUIT (1/C #8 5KV UG CABLE IN U.D.)
	NEW SIGN AND HOMERUN CABLE (2-1/C 5KV UG CABLE IN U.D.)
	NEW TAXIWAY D/RUNWAY 16/34 CIRCUIT (1/C #8 5KV UG CABLE IN U.D.)
	NEW COUNTERPOISE CABLE (1/C #6 COUNTERPOISE)
	EXISTING ELECTRICAL DUCT
	1-17 LIGHT NUMBER
	(1) SIGN NUMBER
	RR ● EXISTING TAXIWAY LIGHT TO BE REMOVED AND REPLACED WITH NEW STAKE MOUNTED TAXIWAY LIGHT
	RR ○ EXISTING STAKE MOUNTED TAXIWAY LIGHT TO BE REMOVED
	RR ◻ EXISTING STAKE MOUNTED TAXIWAY LIGHT TO BE REMOVED AND REPLACED WITH NEW BASE MOUNTED TAXIWAY LIGHT
	▲ NEW COUNTERPOISE GROUND ROD

**NOTES**

- ALL WORK SHOWN ON THIS SHEET SHALL BE PART OF ADDITIVE ALTERNATE 1 UNLESS OTHERWISE NOTED ON ELECTRICAL SITE PLAN 3.
- ALL SIGNS TO BE REPLACED SHALL BE INSTALLED IN THEIR EXISTING LOCATION. ALL LIGHTS SHALL BE INSTALLED IN THE LOCATIONS SHOWN ON THIS SHEET.
- ALL NEW LIGHTS SHALL BE INSTALLED 10' OFF THE EDGE OF PAVEMENT. LIGHTS SHALL BE INSTALLED IN A STRAIGHT LINE.
- CABLE RUNNING FROM THE NEAREST RUNWAY LIGHT TO THE NEW HOLD SIGN SHALL HAVE COUNTERPOISE INSTALLED 4" ABOVE THE TOP OF THE RUNWAY CIRCUIT UNIT DUCT.
- THIS LIGHT SHALL BE INSTALLED AS PART OF THE BASE BID CONSTRUCTION AND SHALL BE PAID FOR UNDER PAY ITEM AR125415.
- THIS SIGN SHALL BE INSTALLED AS PART OF THE BASE BID CONSTRUCTION AND SHALL BE PAID FOR UNDER PAY ITEM AR125443.
- THIS LIGHT SHALL BE PAID FOR UNDER PAY ITEM AR125415. SHOULD THE ADDITIVE ALTERNATE 1 BE AWARDED, THE LIGHT SHALL BE INSTALLED IN THE LOCATION SHOWN ON THIS SHEET. SHOULD THE ADDITIVE ALTERNATE 1 NOT BE AWARDED, THE LIGHT SHALL BE INSTALLED AS SHOWN ON ELECTRICAL SITE PLAN 3 IN ITS ORIGINAL POSITION.
- THE INSTALLATION OF COUNTERPOISE ON TAXIWAY D SHALL BE CONTINGENT UPON THE AWARD OF ADDITIVE ALTERNATE 2.

**ALIGNMENT DATA**

ALIGNMENT SEGMENT	ALIGNMENT	BEGIN STATION/ PI STATION	NORTHING/ EASTING	END STATION/ CURVE RADIUS	NORTHING/ EASTING
L2	TAXIWAY D	STA. 0+00.00	N:1285364.6375 E:1189231.1254	STA. 10+42.26	N: 1284863.6573 E: 1190145.0841
C1	TAXIWAY D	CENTER STA. 10+94.05	PI N:1284838.7625 PI E:1190190.5008	R = 125.000	CENTER N: 1284973.2701 E: 1190205.1676
L1	TAXIWAY D	STA. 11+40.46	N:1284853.2841 E:1190240.2155	STA. 13+41.66	N: 1284909.6978 E: 1190433.3469