

VE050

REVISIONS		
NUMBER	BY	DATE

0 1 2
 THIS BAR IS EQUAL TO 2" AT FULL SCALE (34X22).

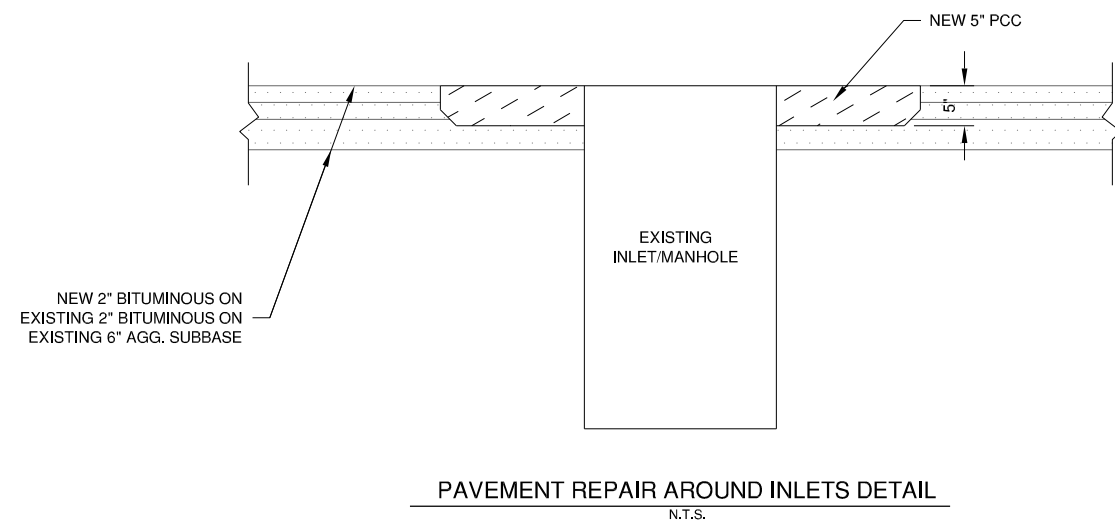
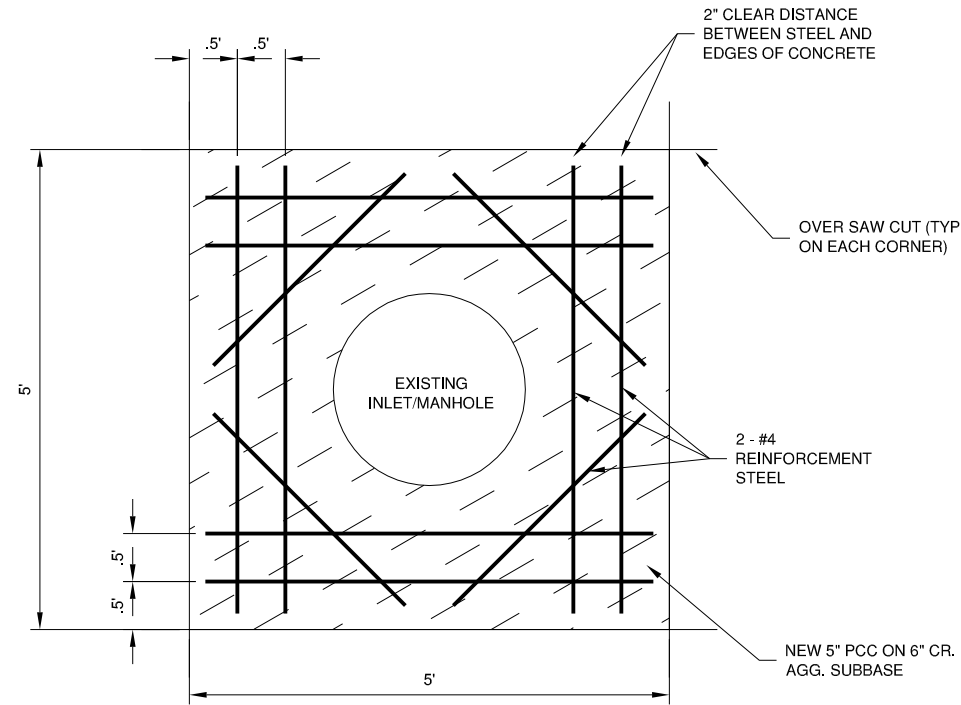
VERMILION REGIONAL AIRPORT
 VERMILION REGIONAL AIRPORT AUTHORITY
 DANVILLE, ILLINOIS

REHABILITATE T-HANGAR TAXIWAY PAVEMENTS
 PAVING AND MISCELLANEOUS DETAILS

© Copyright CMT, Inc.



DESIGN BY:	AJB
DRAWN BY:	CMT
CHECKED BY:	TJH
APPROVED BY:	TJH
DATE:	JANUARY 3, 2014
JOB No:	13042-02
IL. PROJ. NO. DNV-4270	
SHEET 10 OF 11 SHEETS	

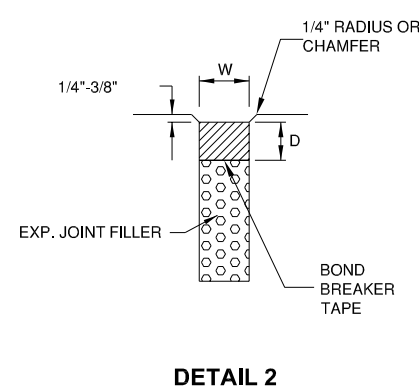
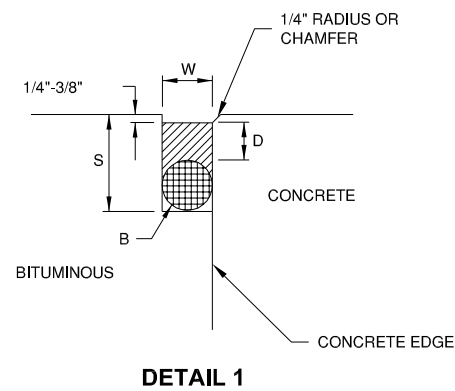


PAVEMENT REPAIR AROUND INLETS DETAIL
 N.T.S.

NOTES:

- PAVEMENT REPAIR AROUND SELECT INLETS ARE CALLED OUT ON PROPOSED IMPROVEMENTS SHEET.
- PAVING OF NEW 2" BITUMINOUS SURFACE SHALL BE COMPLETED AND FINISHED TO EDGE OF INLET PRIOR TO CONSTRUCTING THIS DETAIL.
- A 5'x5' SQUARE CENTERED ON THE INLET/MANHOLE SHALL BE SAW CUT AND THE 4" BITUMINOUS LAYER SHALL BE REMOVED.
- REMOVE ADDITIONAL 1" OF EXISTING AGGREGATE SUBBASE. USE CARE TO NOT UNDERMINE BITUMINOUS PAVEMENT SURFACE.
- PLACE EXPANSION JOINT MATERIAL AROUND INLET FRAME.
- PLACE STEEL AS SHOWN IN THE DETAIL AND PLACE 5" PCC LAYER. REBAR SHALL BE PLACED AT A DEPTH OF T/2, T = THICKNESS OF PCC PAVEMENT. KEEP 2" CLEAR DISTANCE BETWEEN REBAR AND EDGES OF PCC PAVEMENT.
- ENSURE THAT GRADES ARE MET ALONG EXISTING EDGES AND INLET WHILE FINISHING THE CONCRETE.
- AFTER CONSTRUCTING THE CONCRETE LAYER, SAW CUT THE BITUMINOUS PAVEMENT ALONG THE EDGE OF THE CONCRETE. DIMENSIONS OF SAW CUT ARE SHOWN IN THE DETAIL.
- PLACE BACKER ROD AND SEAL WITH JOINT SEALANT AS CALLED OUT IN THE SPECIAL PROVISIONS. DETAIL OF JOINT IS SHOWN ON THIS SHEET. JOINT SHALL BE SAWED IN BITUMINOUS PAVEMENT ADJACENT TO THE PCC PAVEMENT.

	JOINT SEALING DIMENSIONS	
	DETAIL 1	DETAIL 2
W=WIDTH OF SEALANT RESERVOIR (IN.)	HOT/ COLD POUR 1/2	HOT/ COLD POUR 3/4
D=DEPTH OF SEALANT RESERVOIR (IN.)	1/4	3/4
B=BACKER ROD DIAMETER (IN.)	5/8	N/A
S=SECOND SAWCUT DEPTH (IN.) MINIMUM	1-3/8	N/A

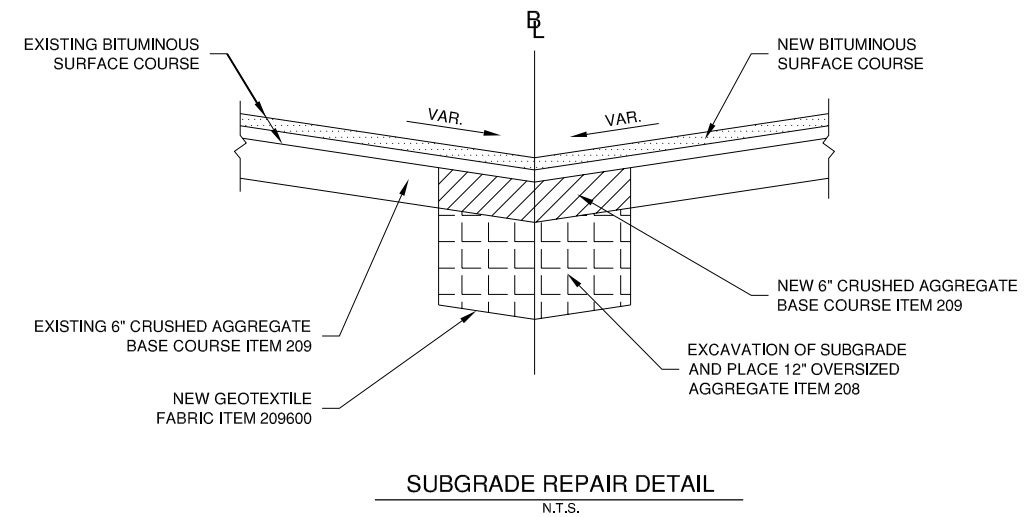


DETAIL 1

DETAIL 2

JOINT NOTES

- ALL EDGES OF NEW SLABS, FREE STANDING OR CLOSURE, SHALL BE EDGED WITH AN APPROVED TOOL HAVING A RADIUS OF 1/8" TO 1/4" TO FACILITATE SAWING OF THE SEALANT RESERVOIR. A RADIUS > 1/4" WILL NOT BE ACCEPTABLE.
- SAW CUT FOR JOINT SEALANT SHALL BE CONSTRUCTED IN THE BITUMINOUS PAVEMENT MATERIAL ADJACENT TO THE PCC PAVEMENT.
- EXPANSION JOINT MATERIAL SHALL BE PLACED AROUND FRAME PRIOR TO CONCRETE POUR.



SUBGRADE REPAIR DETAIL
 N.T.S.

NOTES:

- LOCATION OF SUBGRADE REPAIR SHALL BE DETERMINED AT THE TIME OF CONSTRUCTION AND APPROVED BY THE RESIDENT ENGINEER.
- LENGTH AND WIDTH OF SUBGRADE REPAIR SHALL VARY DEPENDENT ON THE AFFECT AREA IN NEED OF REPAIR.
- THE FOLLOWING SHALL BE THE STEPS TAKEN TO REPAIR THE SUBGRADE:
 - REMOVE ADDITIONAL 2" OF BITUMINOUS SURFACE COURSE.
 - REMOVE EXISTING AGGREGATE SUBBASE IN AREAS THAT REQUIRE SUBGRADE REPAIR.
 - EXCAVATE 12" DEPTH OF SUBGRADE.
 - COMPACT EXPOSED SUBGRADE.
 - PLACE GEOTEXTILE FABRIC ITEM 209600 ON TOP OF COMPACTED SUBGRADE.
 - PLACE AND COMPACT OVERSIZED AGGREGATE ITEM 208 AT A THICKNESS OF 12".
 - PLACE AND COMPACT 6" CRUSHED AGGREGATE ITEM 209, MEETING THE GRADES OF THE ADJACENT EXISTING AGGREGATE LAYER.
- APPLY PRIME COAT AND CONSTRUCT BITUMINOUS LAYER AS SPECIFIED IN THE PLANS.
- METHODS OF CONSTRUCTION SHALL MEET THE REQUIREMENTS SPECIFIED IN THE SPECIAL PROVISIONS.
- ITEMS TO BE INCLUDED IN PAYMENT FOR SUBGRADE REPAIR ARE 3A, 3B, 3C, 3D, AND 3F.