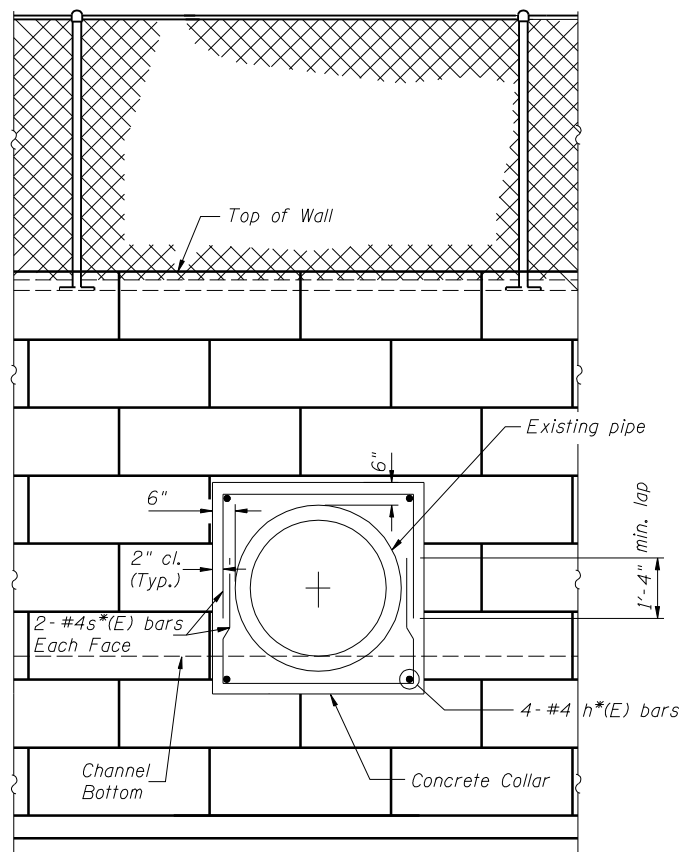


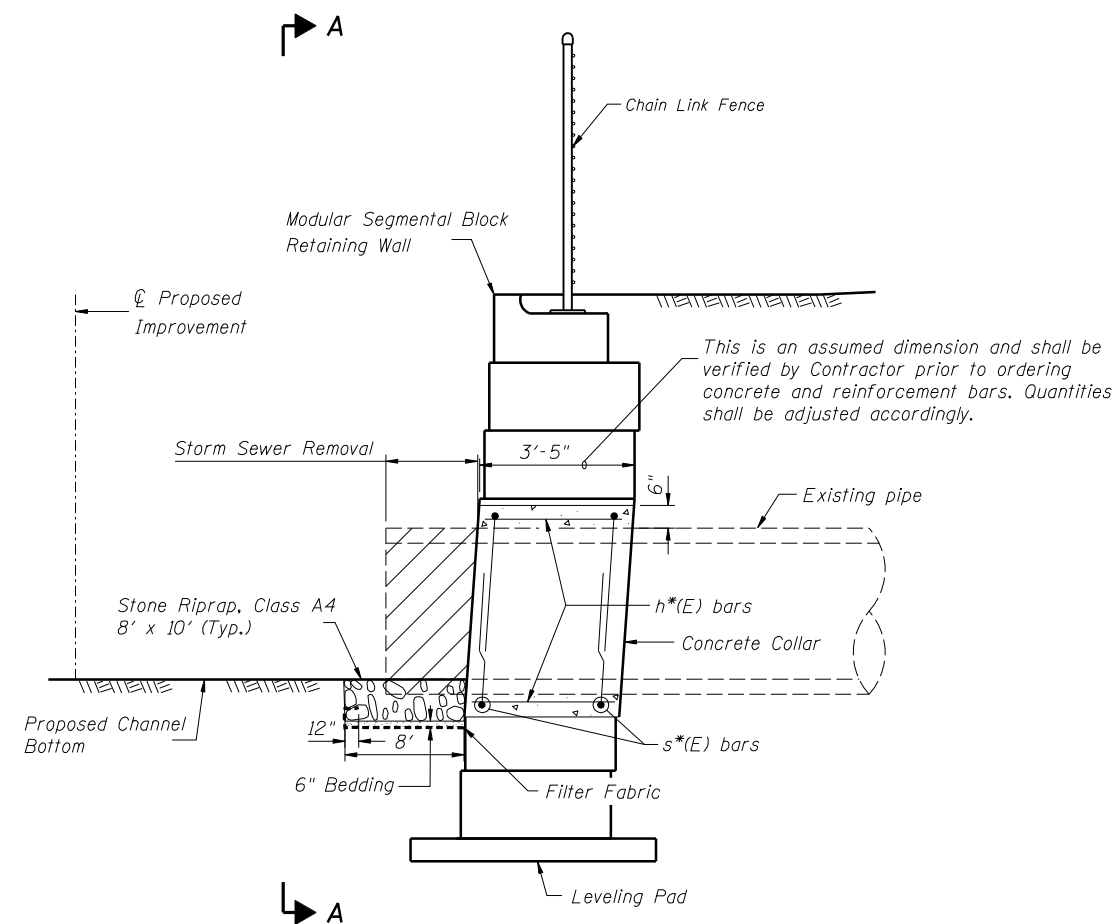
Bars s(E) thru s_(E)

Bar	"a"	"b"	Length
s(E)	1'-4"	1'-4"	4'-0"
s1(E)	1'-10"	1'-7"	5'-0"
s2(E)	2'-4"	1'-10"	6'-0"
s3(E)	3'-2"	2'-3"	7'-8"
s4(E)	4'-4"	2'-10"	10'-0"
s5(E)	2'-0"	1'-8"	5'-4"



ELEVATION A-A

* Refer to the pipe schedule below for quantities of reinforcement bars and concrete at each pipe location



TYPICAL SECTION THRU BLOCK WALL AT PIPE LOCATIONS

PIPE SCHEDULE

Location	Size & Type	Inv. Elev.	Pipe req'd.	Pipe removal	Comments	Bar	No.	Bar	No.	Weight Pounds	Concrete Collar Cu Yd	Riprap Sq Yds
1+37	Rt. 36" RCP	627.7	7'	8'	Remove precast end section**	s4(E)	4	h(E)	4	35	1.4	9
1+38	Lt. 36" RCP	627.5	2'	8'	Remove precast end section**	s4(E)	4	h(E)	4	35	1.4	9
3+41	Lt. 15" RCP	628.1		7'		s2(E)	4	h(E)	4	24	0.6	9
4+68	Rt. 24" RCP	628.8		7'		s3(E)	4	h(E)	4	29	1.0	9
7+40	Rt. 10" RCP	630.3		6'		s1(E)	4	h(E)	4	22	0.5	—
12+17	Lt. 12" PVC	Unknown	1'		Extend through culvert wall	—	—	—	—	—	—	—
12+26	Rt. 10" RCP	630.7		3'	Cut back inside culvert	—	—	—	—	—	—	—
12+92	Rt. 18" RCP	631.57		2'	Cut back inside culvert	—	—	—	—	—	—	—
13+52	Lt. 12" RCP	631.88	6'		Outlet pipe for catch basin (see sht. 22)	s5(E)	4	h(E)	4	23	0.5	—
15+06	Rt. 8" RCP	631.9		5'	Cut back inside culvert	—	—	—	—	—	—	—
16+11	Lt. 6" clay tile	630.5		10'		s(E)	4	h(E)	4	19	0.3	9
28+80	Lt. 8" clay tile	633.5		12'	Cut back to accommodate new wingwall.	—	—	—	—	—	—	—
Totals										190	5.7	45

**Paid for as Storm Sewer Removal 36"

Note: Work this sheet with Schedule of Quantities and Plan & Profile sheets.

*** See Sheet 47 for details

BILL OF MATERIAL

Bar	No.	Size	Length	Shape	
s(E)	4	#4	4'-0"	□	
s1(E)	4	#4	5'-0"	□	
s2(E)	4	#4	6'-0"	□	
s3(E)	4	#4	7'-8"	□	
s4(E)	8	#4	10'-0"	□	
s5(E)	4	#4	5'-4"	□	
h(E)	28	#4	3'-1"	—	
Reinforcement Bars, Epoxy Coated				Pound	190
Concrete Collar				Cu Yd	5.7
Stone Riprap, Class A4				Sq Yd	45
Filter Fabric				Sq Yd	45
Storm Sewers, Class A, Type 1 12"				Foot	6
Storm Sewers, Class A, Type 2 36"				Foot	9
Storm Sewers, Class B, Type 2 12"				Foot	1
Storm Sewer Removal 6"				Foot	10
Storm Sewer Removal 8"				Foot	17
Storm Sewer Removal 10"				Foot	9
Storm Sewer Removal 15"				Foot	7
Storm Sewer Removal 24"				Foot	7
Storm Sewer Removal 36"				Foot	16
Catch Basins, Type C, Type 8 Grate				Each	1