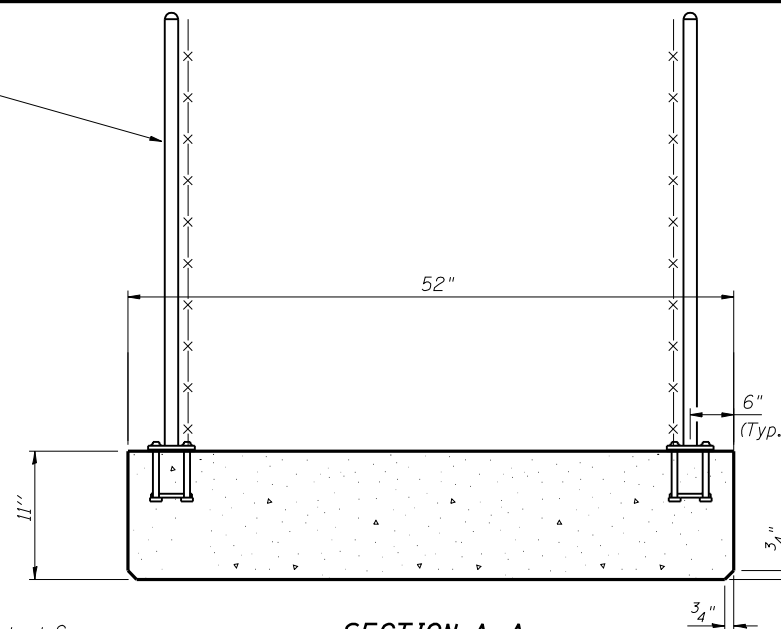
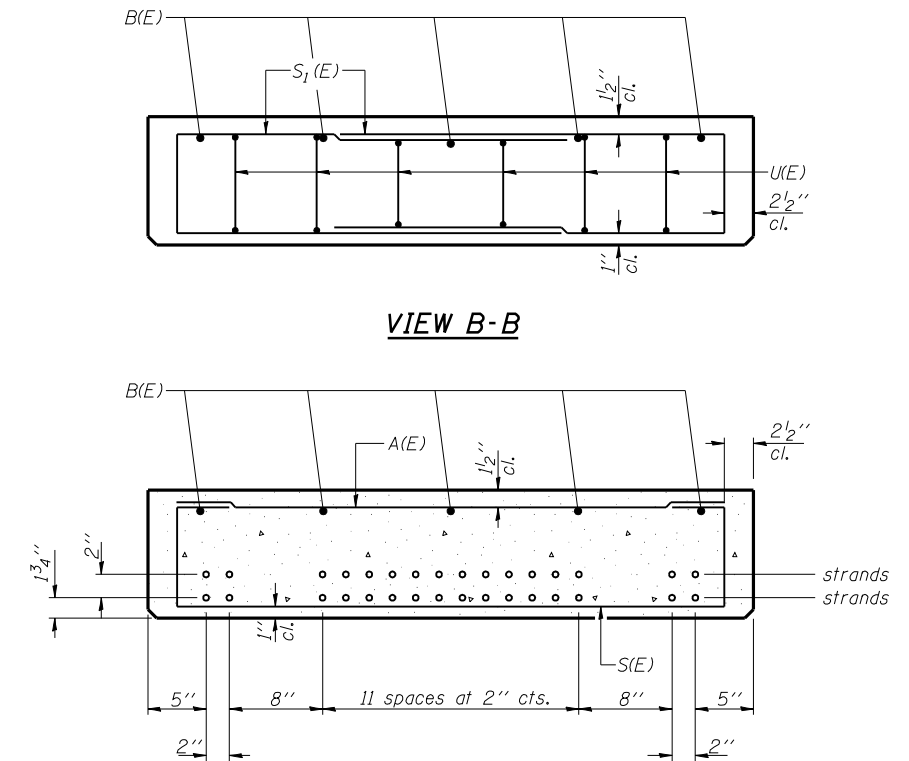


**SECTION C-C**

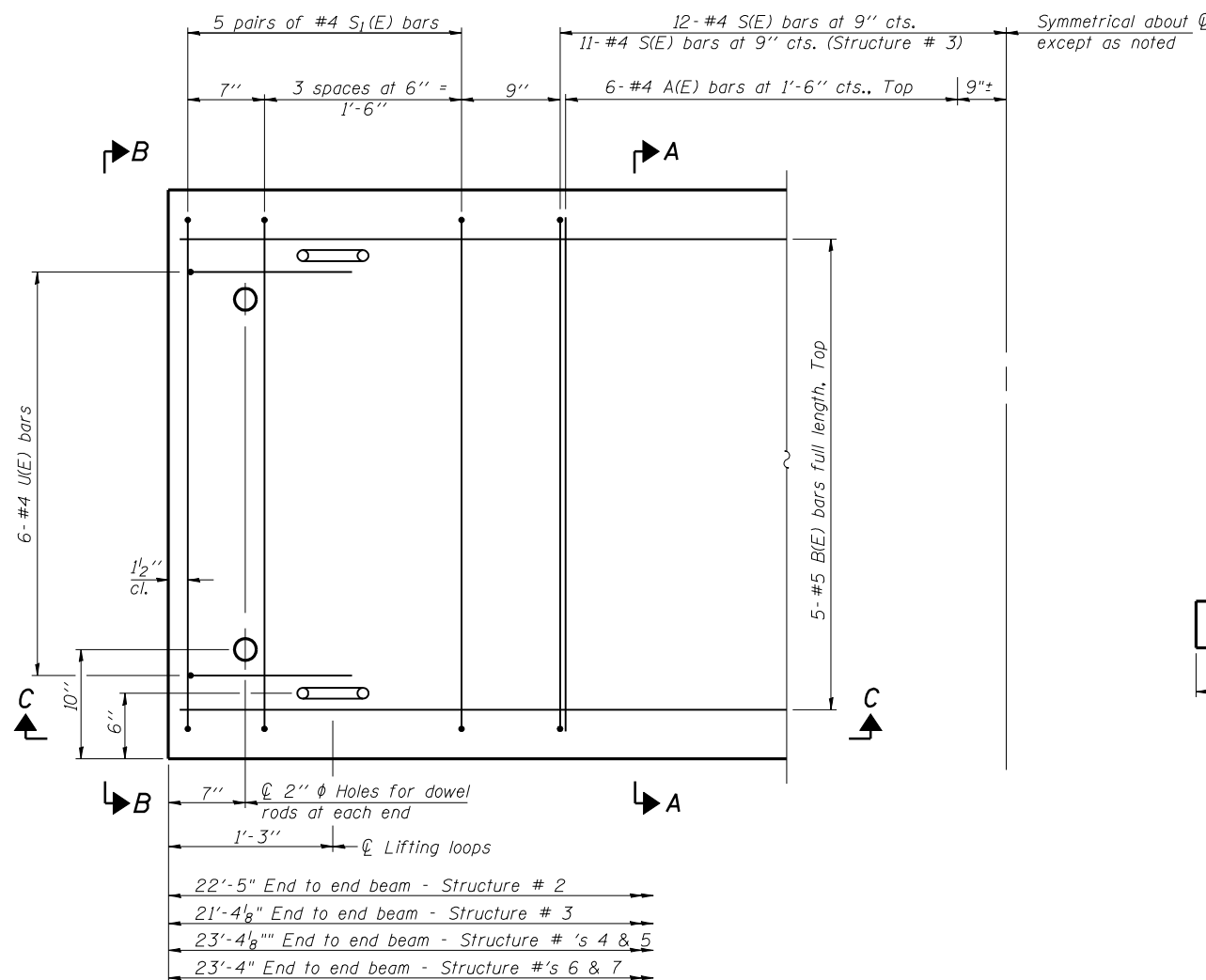


**SECTION A-A**  
(Showing dimensions)

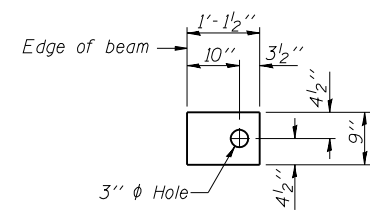


**SECTION A-A**

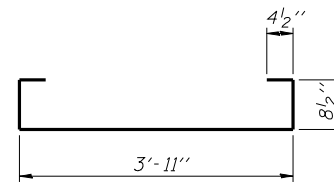
(Showing reinforcement and permissible strand locations)  
Note: Place 4 - 1/2"φ strands 1 3/4" up symmetrically about the centerline of beam in the permissible strand locations shown. Each strand shall be stressed to 30,900 lbs.



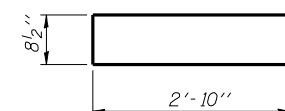
**PLAN VIEW**



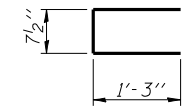
**FABRIC BEARING PAD**  
(1/2" thick pad)  
**FIXED**



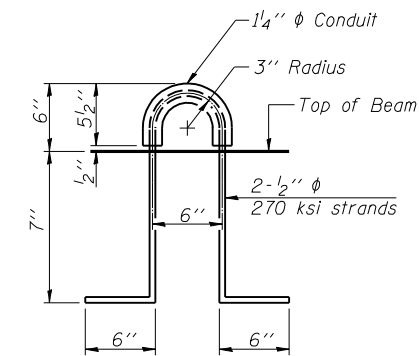
**BAR S(E)**



**BAR S1(E)**



**BAR U(E)**



**LIFTING LOOP DETAIL**

**BAR LIST - STRUCTURE # 2**  
(For information only)

Bar	No.	Size	Length	Shape
A(E)	12	#4	3'-11"	—
B(E)	5	#5	22'-2"	—
S(E)	23	#4	6'-1"	U
S1(E)	20	#4	6'-5"	U
U(E)	12	#4	3'-2"	U

**BAR LIST - STRUCTURE # 3**  
(For information only)

Bar	No.	Size	Length	Shape
A(E)	12	#4	3'-11"	—
B(E)	5	#5	21'-0"	—
S(E)	21	#4	6'-1"	U
S1(E)	20	#4	6'-5"	U
U(E)	12	#4	3'-2"	U

**BAR LIST - STRUCTURE #'s 4-7**  
(For information only)

Bar	No.	Size	Length	Shape
A(E)	12	#4	3'-11"	—
B(E)	5	#5	23'-0"	—
S(E)	23	#4	6'-1"	U
S1(E)	20	#4	6'-5"	U
U(E)	12	#4	3'-2"	U

**BILL OF MATERIAL**

Precast Prestressed Conc. Deck Bms. (11" depth)	Sq. Ft.	Structure #					
		#2	#3	#4	#5	#6	#7
		97	92	101	101	101	101

**11" X 52" PPC DECK BEAMS  
STRUCTURES 2-7**

**NOTES**

Prestressing steel shall be uncoated high strength, low relaxation 7-wire strand, Grade 270. The nominal diameter shall be 1/2" and the nominal cross-sectional area shall be 0.153 sq. in. Reinforcement bars shall conform to ASTM A 706, Grade 60. (See Special Provisions). Two 1/8" fabric adjusting shims of the dimensions of the exterior bearing pad shall be provided for each bearing pad location. A minimum 2 1/2" φ lifting pin shall be used to engage the lifting loops during handling. Corrosion Inhibitor, per Article 1020.05(b)(12) and 1021.06 of the Standard Specifications, shall be used in the concrete for precast prestressed concrete deck beams. Compressive strength of prestressed concrete, f'c, shall be 5000 psi. Compressive strength of prestressed concrete at release, f'ci, shall be 4000 psi.