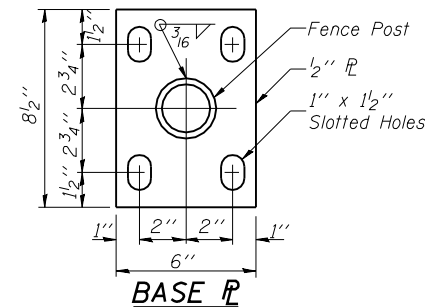
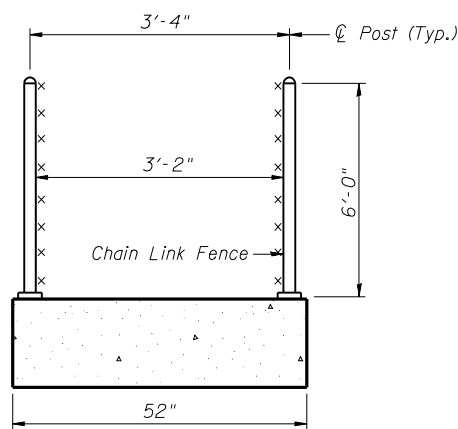


**ELEVATION - CHAIN LINK FENCE**

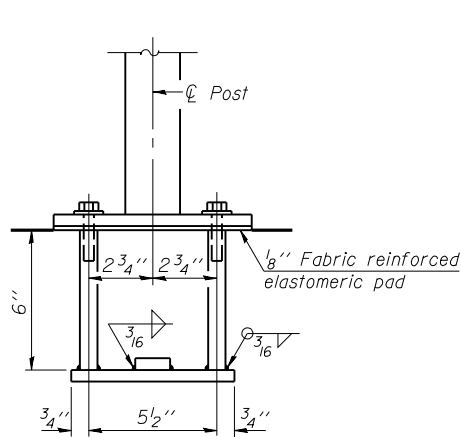


**Note:**  
Cost of posts, anchor devices, mounting hardware, etc. included with Chain Link Fence, 6'. Billed on general plan and elevation sheet of respective structures.

Structure No.	"A"	"B"
2	5'-4 1/4"	21'-5"
3	5'-1"±	20'-4 1/8"
4	5'-7"±	22'-4 1/8"
5	5'-7"±	22'-4 1/8"
6	5'-7"	22'-4"
7	5'-7"	22'-4"

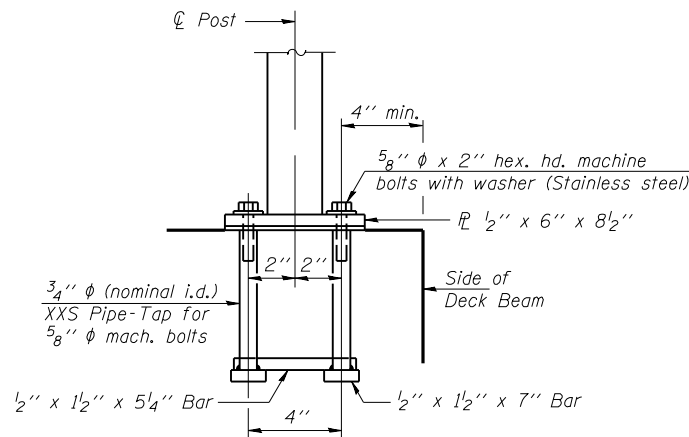


**SECTION THRU DECK BEAM**

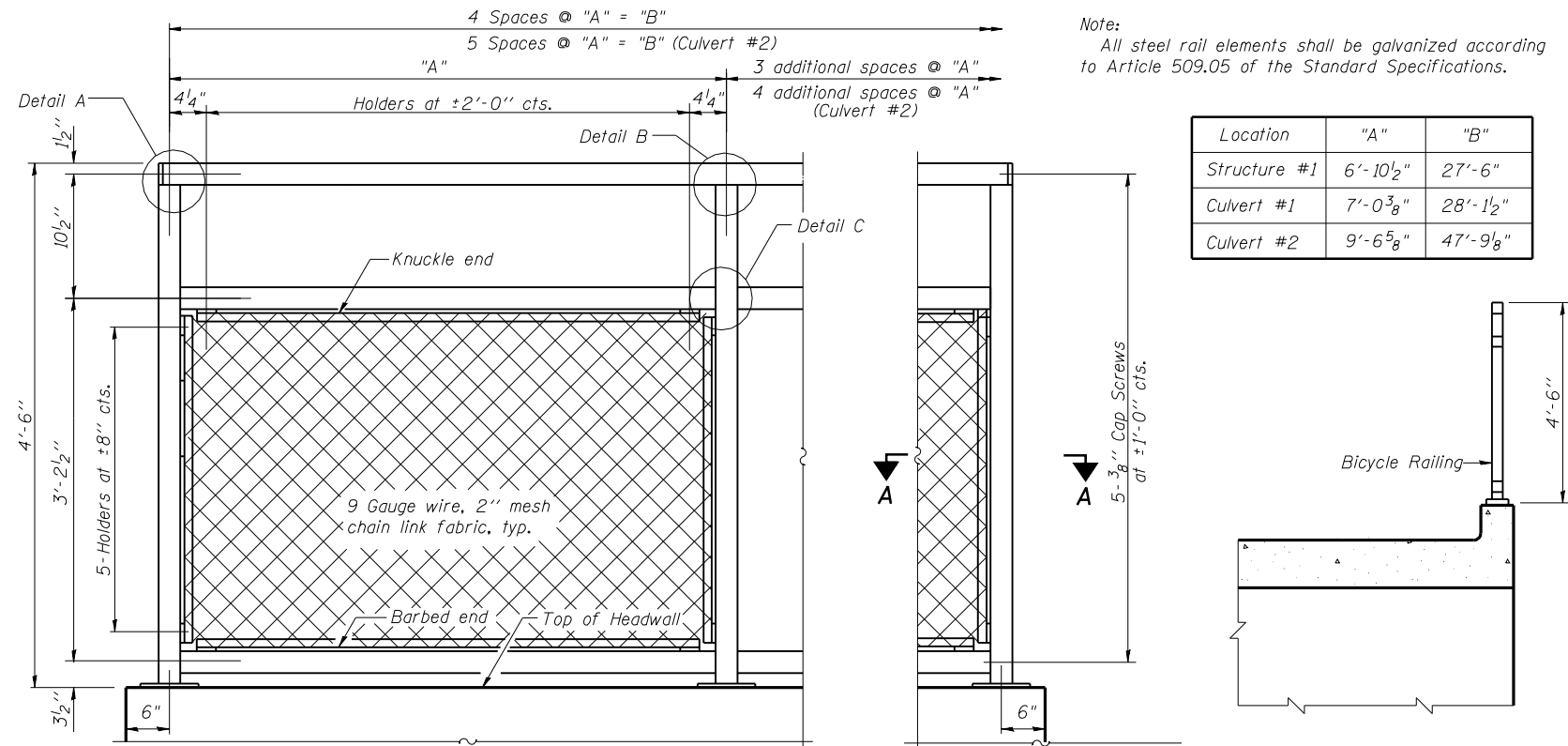


**ANCHOR BOLT DETAILS**

In lieu of the cast-in-place anchor device shown, the Contractor has the option of drilling and setting 5/8" φ anchor rods according to Article 509.06 of the Standard Specifications. Embedment shall be according to the manufacturer's specifications.



**CHAIN LINK FENCE DETAILS**



**BICYCLE RAILING**

**BICYCLE RAILING**

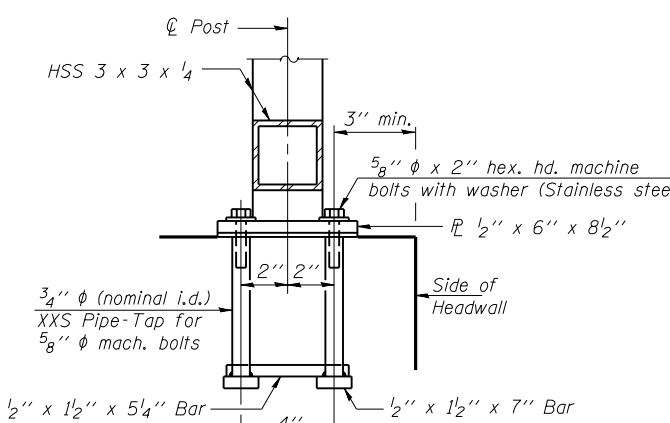
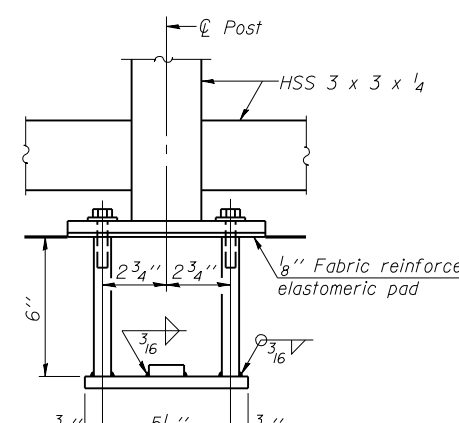
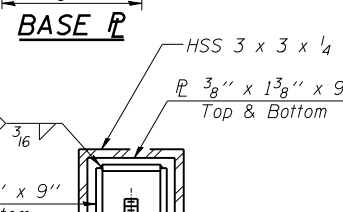
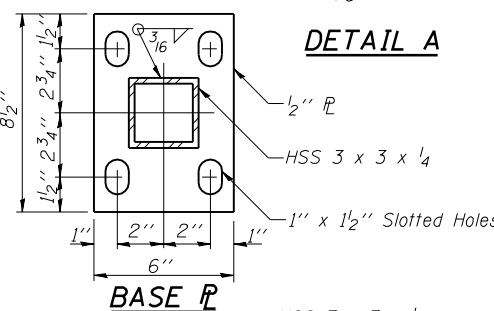
**SECTION THRU HEADWALL**

**DETAIL A**

**DETAIL B**

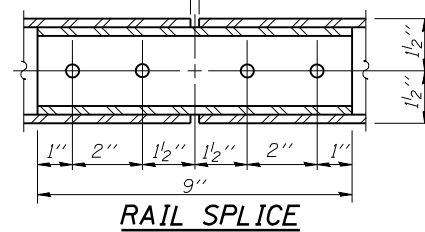
**DETAIL C**

**SECTION A-A**



**ANCHOR BOLT DETAILS**

In lieu of the cast-in-place anchor device shown, the Contractor has the option of drilling and setting 5/8" φ anchor rods according to Article 509.06 of the Standard Specifications. Embedment shall be according to the manufacturer's specifications.



**RAIL SPLICE**

(10'-0" Maximum Post Spacing)

**BICYCLE RAILING DETAILS**

Location	"A"	"B"
Structure #1	6'-10 1/2"	27'-6"
Culvert #1	7'-0 3/8"	28'-1 1/2"
Culvert #2	9'-6 5/8"	47'-9 1/8"

Designed By: TMM  
 Checked By: JUF  
 Drawn By: JUF  
 1/29/2010 12:09:43 PM  
 C:\Dwn\Proj\Imp\Projects\Crystal Creek\JUF\Chain Link Fence and Bicycle Railing Details.dgn