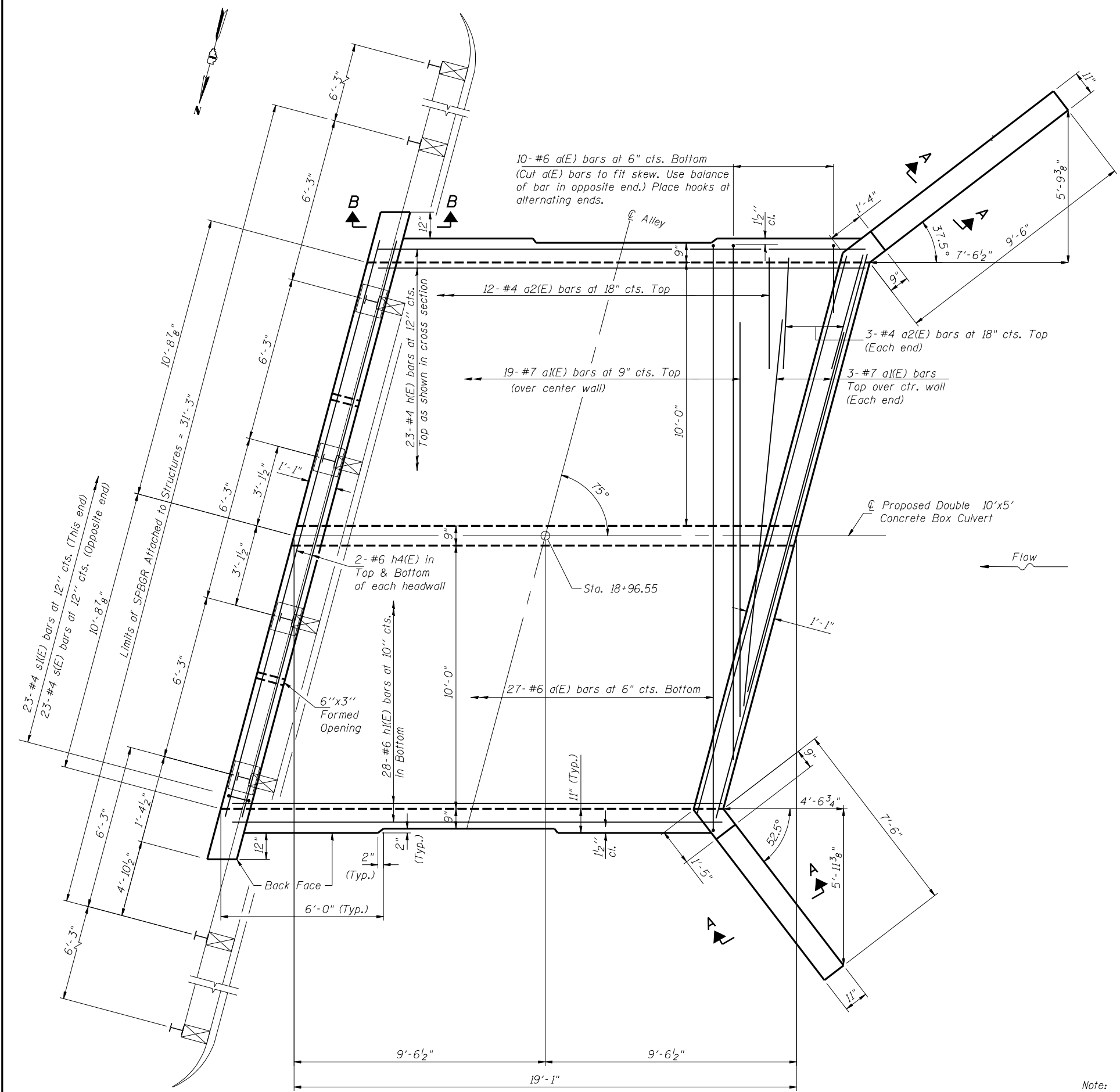
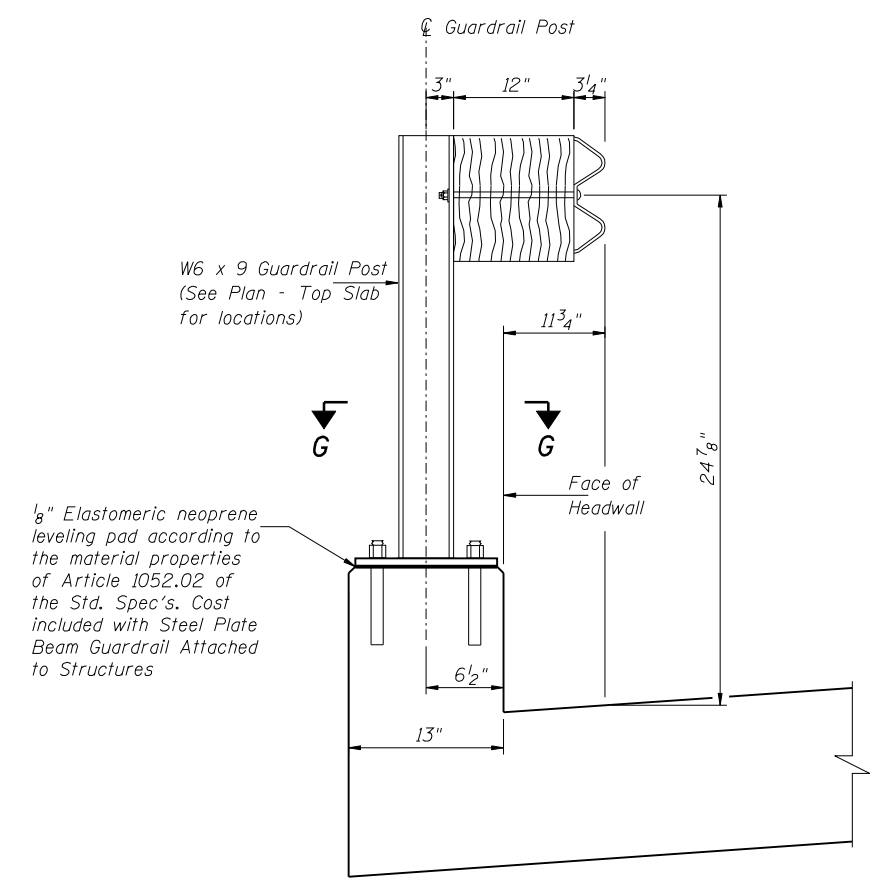


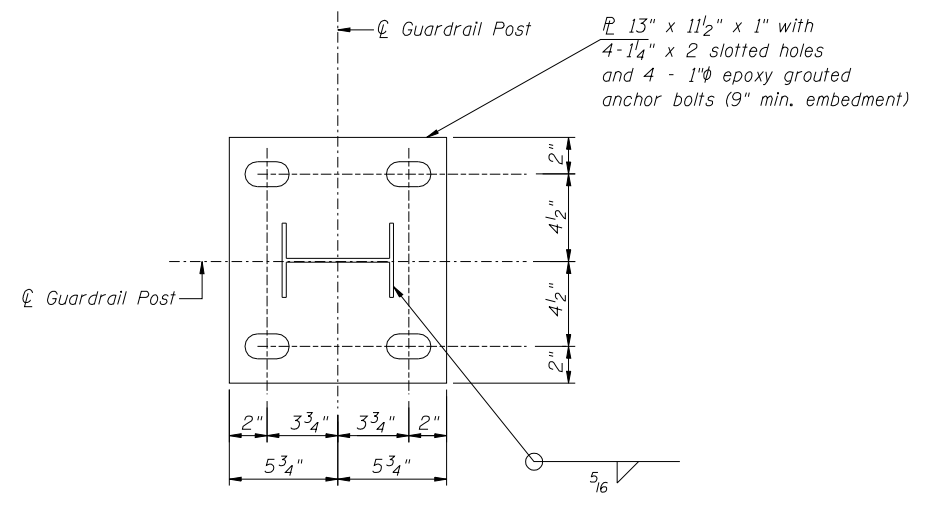
Designed By TMM Checked By RLP
Drawn By JUF Checked By TMM
0:\Dwt\Proj\p\Projects\Crystal Creek\JUF\Culvert No 3 Alley Details I.dgn
1/29/2010 12:15:07 PM



PLAN - TOP SLAB



GUARDRAIL POST ANCHORAGE DETAIL
(4 posts required per headwall)



SECTION G-G

Note:
Work this sheet with sheets 41, 42, and 44