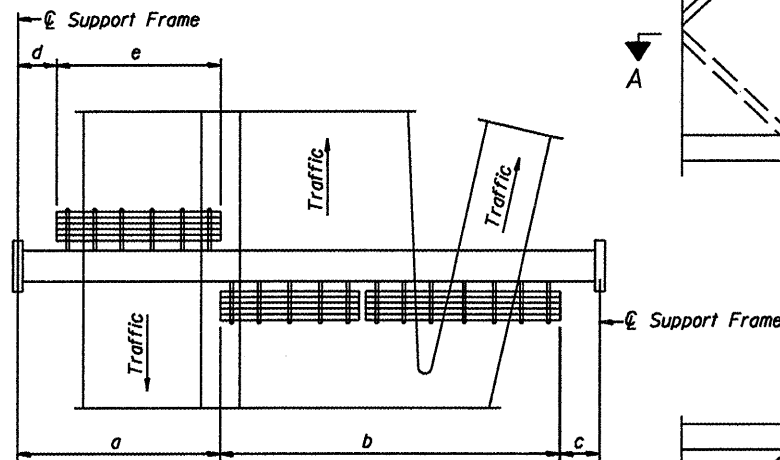
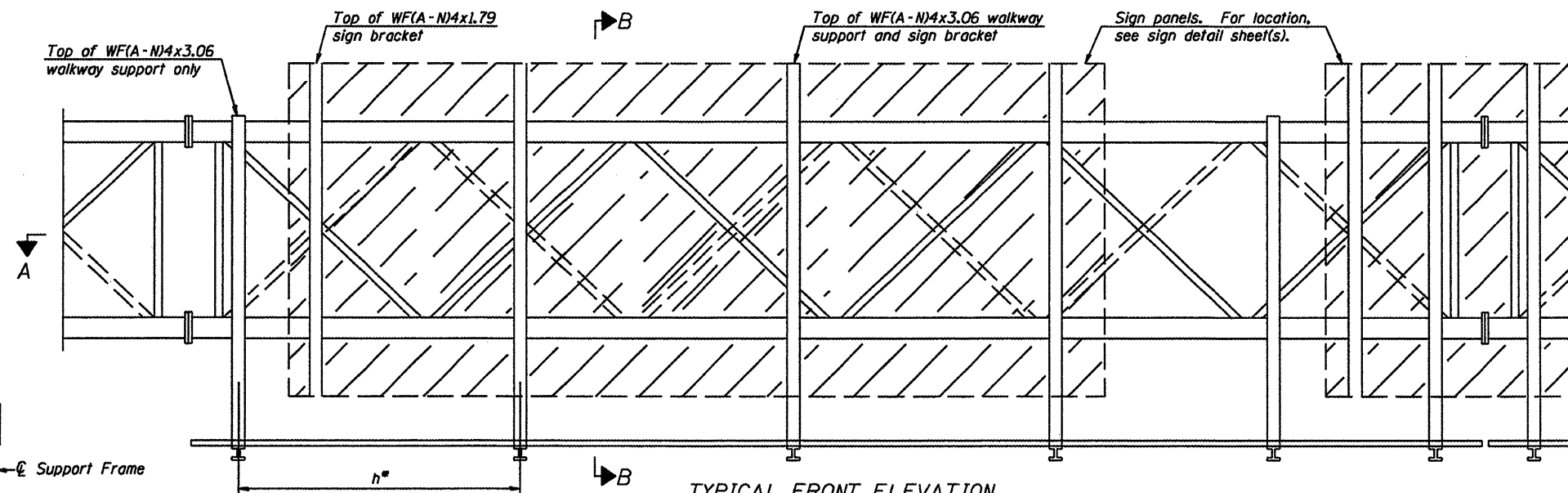


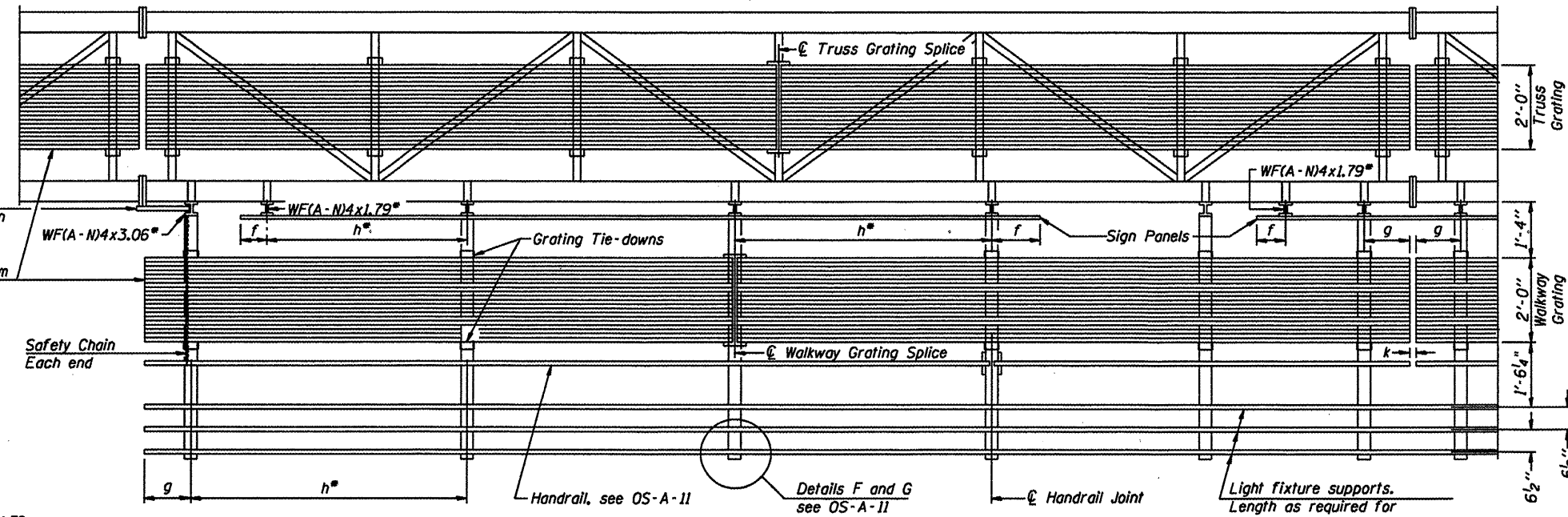
NUMBER	REVISION	DATE



PLAN  
WALKWAY AND HANDRAIL SKETCH  
(Road plan beneath truss varies)



TYPICAL FRONT ELEVATION  
With lights and handrail omitted for clarity.  
For Section B-B, see Base Sheet OS-A-10.



SECTION A-A

Handrail and walkway shall span a minimum of three brackets between splices and/or gap joints.  
Place all sign and walkway brackets as close to panel points as practical.  
Handrail joints, grating, and light support splices placed as needed.

Truss grating to facilitate inspection shall run full length (center to center of support frames) ±12" on overhead trusses.  
Cost of truss grating is included in "Overhead Sign Structure".

Walkway and Truss Grating width dimensions are nominal and may vary ±1/2" based on available standard widths.

BRACKET TABLE

Sign Width		Number Brackets Required
Greater Than	Less Than or Equal To	
8'-0"	8'-0"	2
8'-0"	14'-0"	3
14'-0"	20'-0"	4
20'-0"	26'-0"	5
26'-0"	32'-0"	6

Notes:

- Space walkway brackets WF(A-N)4x3.06 and sign brackets WF(A-N)4x1.79 for efficiency and within limits shown:

- f = 12" maximum, 4" minimum (End of sign to center of nearest bracket)
- g = 12" maximum, 4" minimum (End of walkway grating to center of nearest support bracket)
- h = 6'-0" maximum (center to center of sign and/or walkway support brackets, WF(A-N)4x1.79 or WF(A-N)4x3.06)
- k = 2" maximum gap between adjacent walkway grating sections and handrail ends

- If walkway bracket at safety chain location is behind sign, add angle to bracket, see Alternate Safety Chain Attachment on Base Sheet OS-A-11.

For Details T and W, Section B-B and Grating Splice Details see Base Sheet OS-A-10.  
For Handrail Details see Base Sheet OS-A-11.

DESIGNED -	20
CHECKED -	EXAMINED
DRAWN -	PASSED
CHECKED -	ENGINEER OF BRIDGES AND STRUCTURES

OS-A-9 5/16/08

Structure Number	Station	a	b	c	d	e	Walkway Grating and Handrail Lengths
BS082S013L002.5	45 + 70	N/A	N/A	N/A	N/A	N/A	139' - 0" *
BS082S015R007.7	329 + 05	N/A	N/A	N/A	N/A	N/A	95' - 0" *
BS082S015R007.6	353 + 20	N/A	N/A	N/A	N/A	N/A	78' - 0" *
BS0601270R013.2	782 + 00	N/A	N/A	N/A	N/A	N/A	87' - 0" *
BS0821055R003.7	100 + 30	N/A	N/A	N/A	N/A	N/A	98' - 0" *
BS060S003R015.3	1020 + 00	N/A	N/A	N/A	N/A	N/A	52' - 0" *

\* Length shown is for internal truss grating to be installed.

OVERHEAD SIGN STRUCTURES  
ALUMINUM WALKWAY DETAILS

District 8  
Sign Structure Replacement