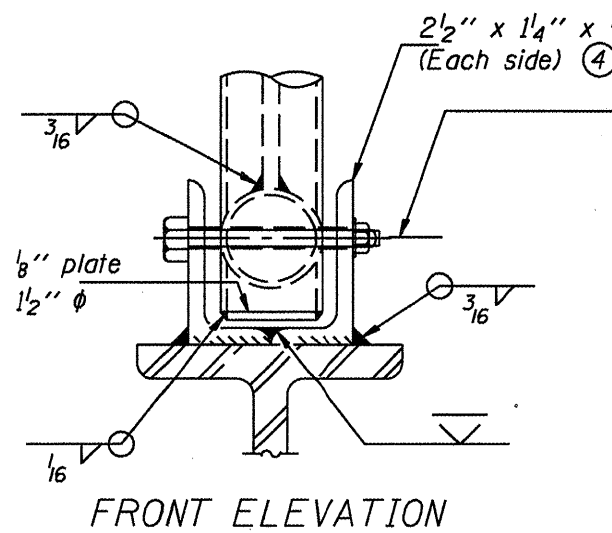
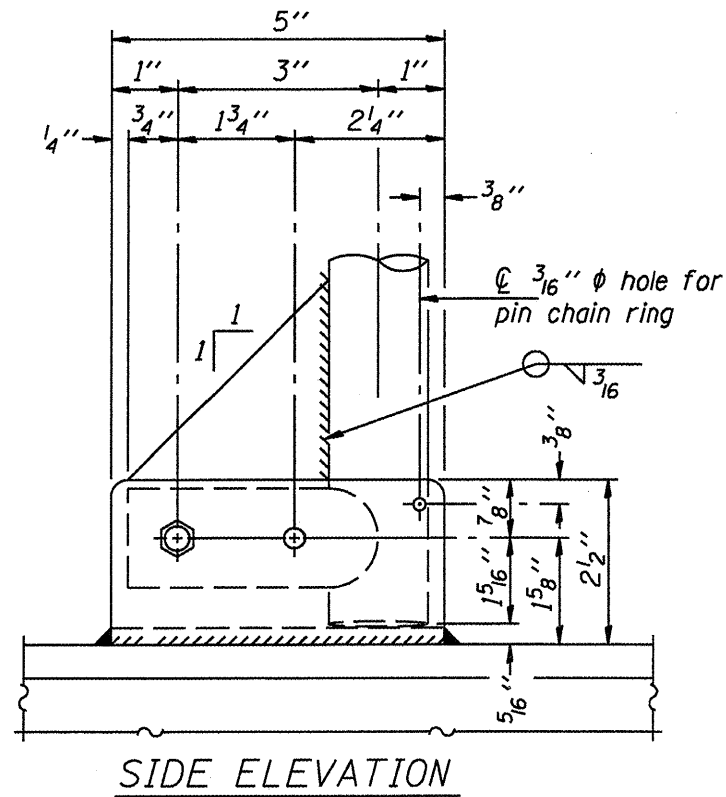
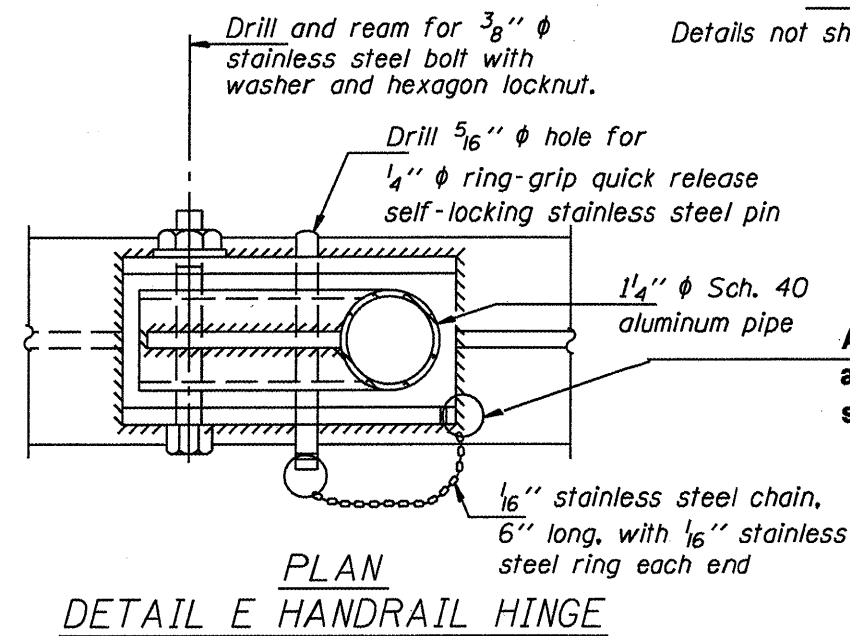


**STATE OF ILLINOIS
DEPARTMENT OF TRANSPORTATION**

Various Routes
D 8 OVD SIN STR REPL 2010-45
Madison & St. Clair Counties
Sheet 16 of 16
Contract Number 46109



The existing locking pin hole to be reamed for proper alignment and a new oversized stainless steel pin to be installed.



A new stainless steel chain shall be attached to the angle with a 1/16" stainless steel ring.

Details not shown same as "ELEVATION" at right.

OVERHEAD SIGN STRUCTURES
HANDRAIL HINGE REPAIR DETAIL

District 8
Sign Structure Replacement