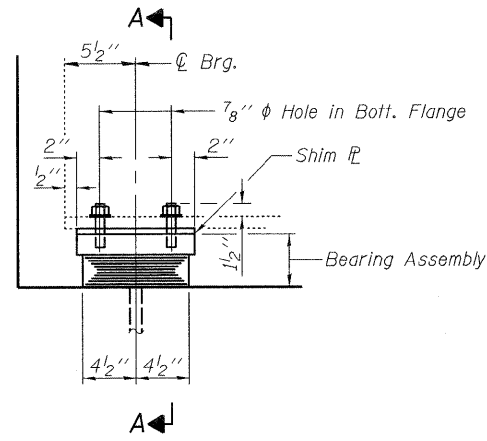
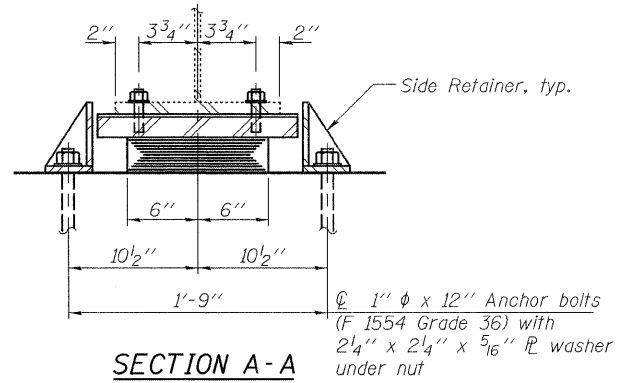


STATE OF ILLINOIS
DEPARTMENT OF TRANSPORTATION



ELEVATION AT ABUT.

TYPE I ELASTOMERIC EXP. BRG.

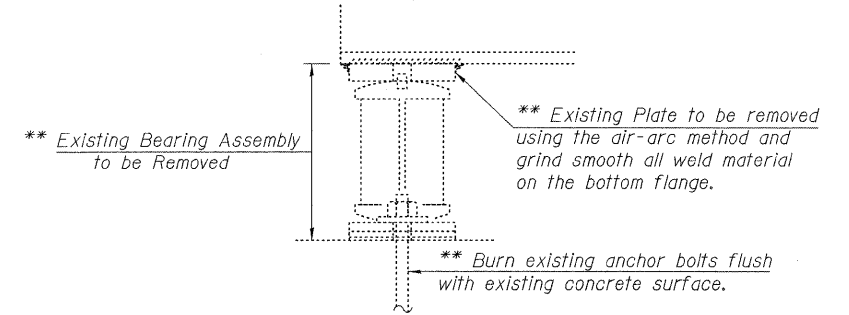


SECTION A-A

Beam No.	Shim Height (in)	
	West Abut	East Abut
1	-	-
2	5/8	3/4
3	-	-
4	5/8	3/4
5	1/8	-
6	5/8	5/8
7	5/8	5/8
8	-	1/8
9	3/4	5/8
10	-	-
11	3/4	5/8
12	-	-

SHIM TABLE

Match Plan dimensions of top bearing plate.
Cost Included with Furnishing and Erecting Structural Steel.



**Cost is Included with Jacking and Cribbing.

REMOVE EXISTING BEARINGS
AT ABUTMENTS

JACKING AND CRIBBING PROCEDURES

- Prior to commencing any work at the bearings, the contractor shall submit plans for Jacking and Cribbing for approval by the Engineer.
- Jacking shall be limited so that the maximum lift transversely between adjacent beams is 1/8". See Special Provision for Jacking and Cribbing.
- Minimum Jack capacity is 12 Tons per bearing.

Notes:

Anchor bolts shall be ASTM F1554 all-thread (or an Engineer-approved alternate material) of the grade(s) and diameter(s) specified. ASTM A307 Grade C anchor bolts may be used in lieu of ASTM F1554 Grade 36 (Fy=36ksi). The corresponding specified grade of AASHTO M314 anchor bolts may be used in lieu of ASTM F1554.

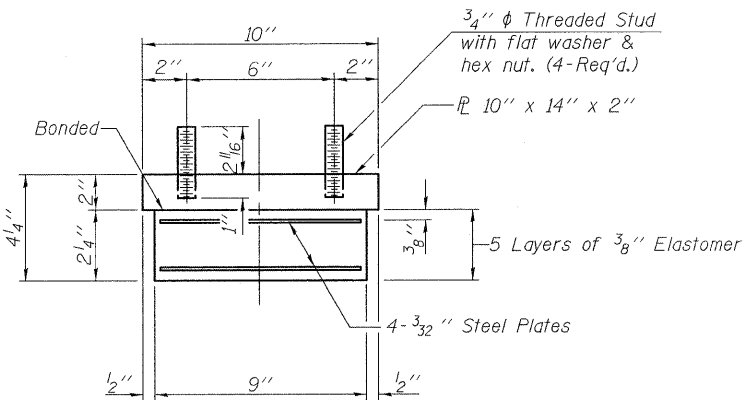
Anchor bolts for side retainers may be cast in place or installed in holes drilled before or after members are in place.

Drilled and set anchor bolts shall be installed according to Article 521.06 of the Standard Specifications.

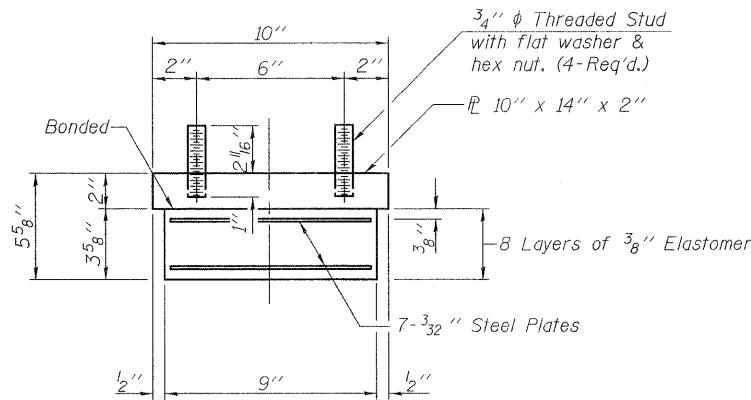
Side retainers and other steel members required for the bearing assembly shall be included in the cost of Elastomeric Bearing Assembly, Type I.

Prior to ordering any material, the contractor shall verify in the field all bearing height and shim thickness dimensions.

Two 1/8 in. adjusting shims shall be provided for each bearing in addition to all other plates or shims and placed as shown on bearing details.

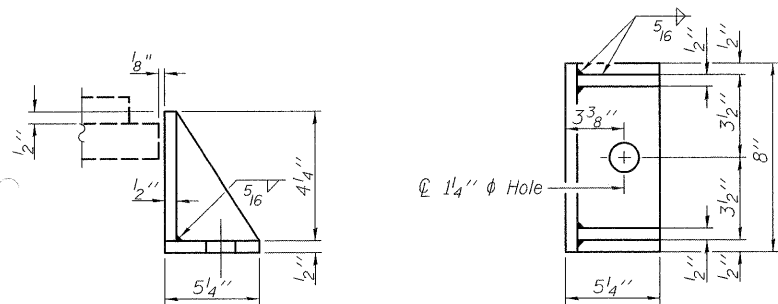


W. ABUT. BEARING ASSEMBLY



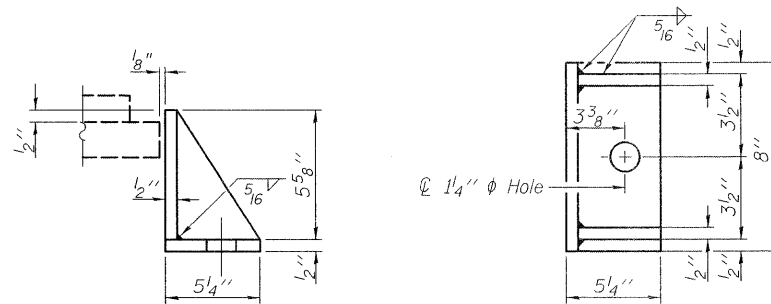
E. ABUT. BEARING ASSEMBLY

Note:
Shim plates shall not be placed under Bearing Assembly.



W. ABUT. SIDE RETAINER

Equivalent rolled angle with stiffeners will be allowed in lieu of welded plates.



E. ABUT. SIDE RETAINER

Equivalent rolled angle with stiffeners will be allowed in lieu of welded plates.

BILL OF MATERIAL

Item	Unit	Total
Elastomeric Bearing Assembly, Type I	Each	24
Anchor Bolts, 1 inch	Each	48
Jacking and Cribbing	Each	24
Furnishing and Erecting Structural Steel	Pound	330

***Locations for Jacking and Cribbing include 12 beam ends at each Abutment.

BEARING DETAILS
STRUCTURE NO. 022-0033

DESIGNED	JMT
CHECKED	BLB
DRAWN	JMT
CHECKED	BLB

rjngroup
Excellence through Ownership
200 West Front Street
Wheaton, IL 60187

SHEET NO. 21 27 SHEETS	F.A.P. RTE. 311	SECTION 10HB-R	COUNTY Du Page	TOTAL SHEETS 53	SHEET NO. 37
	CONTRACT NO. 60B92			FED. ROAD DIST. NO. _ ILLINOIS FED. AID PROJECT	

9/21/2009 K:\11225510\Structures\Final Plans\Bearing.dgn