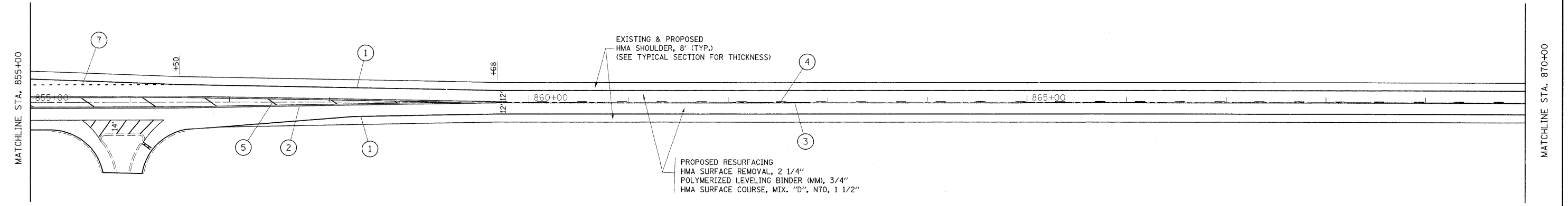
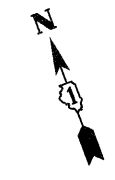
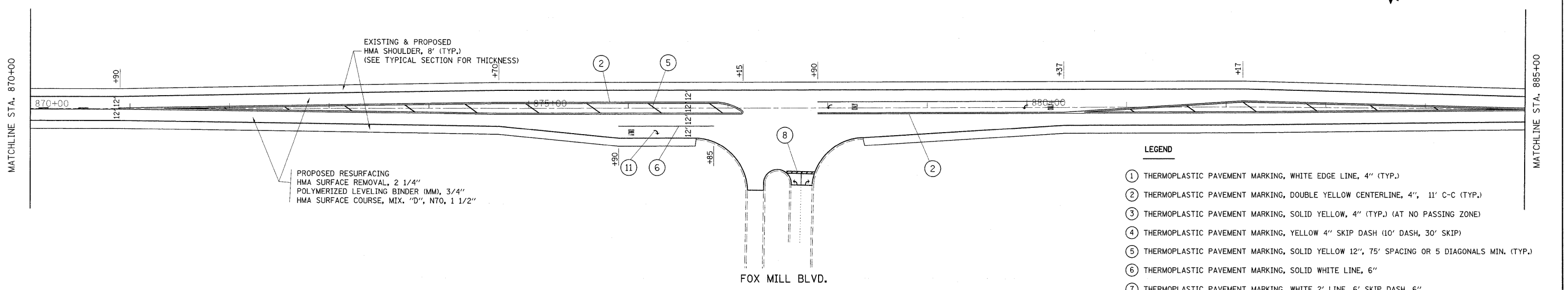




IL. RTE. 64



IL. RTE. 64



- LEGEND**
- ① THERMOPLASTIC PAVEMENT MARKING, WHITE EDGE LINE, 4" (TYP.)
 - ② THERMOPLASTIC PAVEMENT MARKING, DOUBLE YELLOW CENTERLINE, 4", 11' C-C (TYP.)
 - ③ THERMOPLASTIC PAVEMENT MARKING, SOLID YELLOW, 4" (TYP.) (AT NO PASSING ZONE)
 - ④ THERMOPLASTIC PAVEMENT MARKING, YELLOW 4" SKIP DASH (10' DASH, 30' SKIP)
 - ⑤ THERMOPLASTIC PAVEMENT MARKING, SOLID YELLOW 12", 75' SPACING OR 5 DIAGONALS MIN. (TYP.)
 - ⑥ THERMOPLASTIC PAVEMENT MARKING, SOLID WHITE LINE, 6"
 - ⑦ THERMOPLASTIC PAVEMENT MARKING, WHITE 2' LINE, 6' SKIP DASH, 6"
 - ⑧ THERMOPLASTIC PAVEMENT MARKING, SOLID WHITE STOP BAR, 24" (TYP.)
 - ⑨ THERMOPLASTIC PAVEMENT MARKING, SOLID WHITE 12", 2' APART @ 45° DIAGONAL
 - ⑩ THERMOPLASTIC PAVEMENT MARKING, 12" WHITE DIAGONAL
 - ⑪ THERMOPLASTIC PAVEMENT MARKING, LETTERS AND SYMBOLS (TYP.)

FILE NAME =	USER NAME = lqyso	DESIGNED -	REVISED -	STATE OF ILLINOIS DEPARTMENT OF TRANSPORTATION	IL. ROUTE 64 (IL. ROUTE 47 TO CAMPTON HILLS RD.)			F.A.P. RTE.	SECTION	COUNTY	TOTAL SHEETS	SHEET NO.
ct:\pwork\p\WIDOT\LEISA\08152433\sh-t-p\udgn		DRAWN -	REVISED -		307	126 RS-5	KANE	34	13			
	PLOT SCALE = 50,0000' / IN.	CHECKED -	REVISED -		CONTRACT NO. 60100							
	PLOT DATE = 12/15/2009	DATE -	REVISED -		ILLINOIS FED. AID PROJECT							