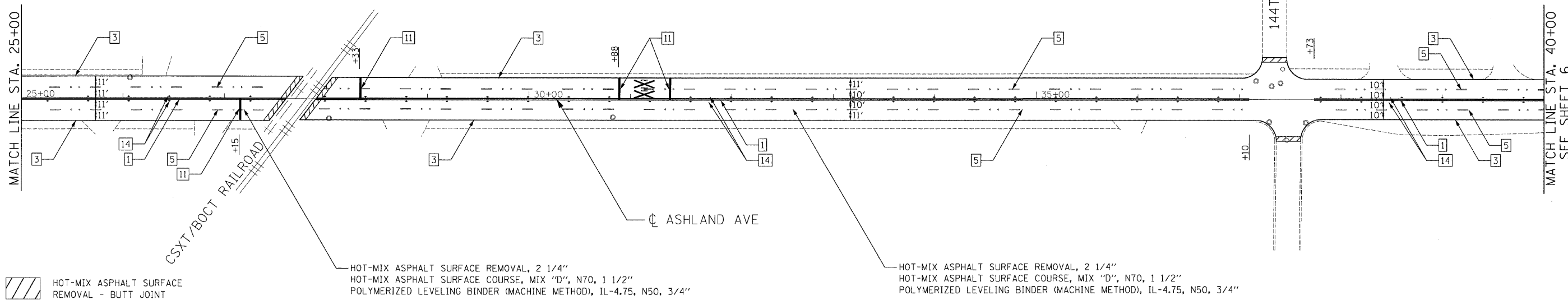


HOT-MIX ASPHALT SURFACE REMOVAL - BUTT JOINT

**LEGEND:**

- |   |   |
|---|---|
| <p>1 THERMOPLASTIC PAVEMENT MARKING - LINE 4" (DOUBLE YELLOW SOLID LINE 11" C-C)</p> <p>2 THERMOPLASTIC PAVEMENT MARKING - LINE 4" (YELLOW SOLID LINE)</p> <p>3 THERMOPLASTIC PAVEMENT MARKING - LINE 4" (WHITE EDGE LINE)</p> <p>4 THERMOPLASTIC PAVEMENT MARKING - LINE 4" (WHITE LANE LINE - 10' DASH, 30' SKIP)</p> <p>5 THERMOPLASTIC PAVEMENT MARKING - LINE 4" (WHITE LANE LINE - 10' DASH, 30' SKIP) WITH RAISED REFLECTIVE PAVEMENT MARKERS (2 ONE-WAY CRYSTAL MARKER) (80' C-C)</p> <p>6 THERMOPLASTIC PAVEMENT MARKING - LINE 6" (WHITE SOLID LINE)</p> <p>7 THERMOPLASTIC PAVEMENT MARKING - LINE 6" (WHITE LANE LINE - 2' DASH, 6' SKIP)</p> | <p>8 THERMOPLASTIC PAVEMENT MARKING - LINE 8" (WHITE SOLID LINE)</p> <p>9 THERMOPLASTIC PAVEMENT MARKING - LINE 12" (YELLOW DIAGONAL LINE)</p> <p>10 THERMOPLASTIC PAVEMENT MARKING - LINE 12" (WHITE SOLID LINE)</p> <p>11 THERMOPLASTIC PAVEMENT MARKING - LINE 24" (WHITE STOP LINE)</p> <p>12 THERMOPLASTIC PAVEMENT MARKING - LETTERS AND SYMBOLS (TYP.)</p> <p>13 RAISED REFLECTIVE PAVEMENT MARKERS (ONE-WAY AMBER MARKER) (40' C-C)</p> <p>14 RAISED REFLECTIVE PAVEMENT MARKERS (TWO-WAY AMBER MARKER) (40' C-C)</p> <p>15 RAISED REFLECTIVE PAVEMENT MARKERS (ONE-WAY CRYSTAL MARKER) (40' C-C)</p> |
|---|---|



HOT-MIX ASPHALT SURFACE REMOVAL - BUTT JOINT

HOT-MIX ASPHALT SURFACE REMOVAL, 2 1/4"  
HOT-MIX ASPHALT SURFACE COURSE, MIX "D", N70, 1 1/2"  
POLYMERIZED LEVELING BINDER (MACHINE METHOD), IL-4.75, N50, 3/4"

HOT-MIX ASPHALT SURFACE REMOVAL, 2 1/4"  
HOT-MIX ASPHALT SURFACE COURSE, MIX "D", N70, 1 1/2"  
POLYMERIZED LEVELING BINDER (MACHINE METHOD), IL-4.75, N50, 3/4"

FILE NAME = N:\PROJECTS\33688\33688\_33\Design\ProposedPlan\33688\_33-Prop01.dgn

**Ciorba Group, Inc.**  
CONSULTING ENGINEERS  
5507 North Cumberland Avenue, Suite 402  
Chicago, Illinois 60656  
Tel. 773.775.4009 Fax 773.775.4014

USER NAME = alau	DESIGNED - DKD	REVISED -
PLOT SCALE = 50.0000' / IN.	DRAWN - RJR	REVISED -
PLOT DATE = 12/15/2009	CHECKED - SNS	REVISED -
	DATE - 12/11/2009	REVISED -

**STATE OF ILLINOIS  
DEPARTMENT OF TRANSPORTATION**

**ASHLAND AVENUE / WOOD STREET  
IL 83 (SIBLEY BOULEVARD) TO 123RD ST  
PROPOSED ROADWAY AND PAVEMENT MARKING PLAN**

SCALE: 1"=50' SHEET NO. 5 OF 28 SHEETS STA. 17+76 TO STA. 40+00

F.A.U. RTE.	SECTION	COUNTY	TOTAL SHEETS	SHEET NO.
2857	(145 & 146) RS-7	COOK	28	5
CONTRACT NO. 60103				
FED. ROAD DIST. NO. 1 ILLINOIS FED. AID PROJECT				