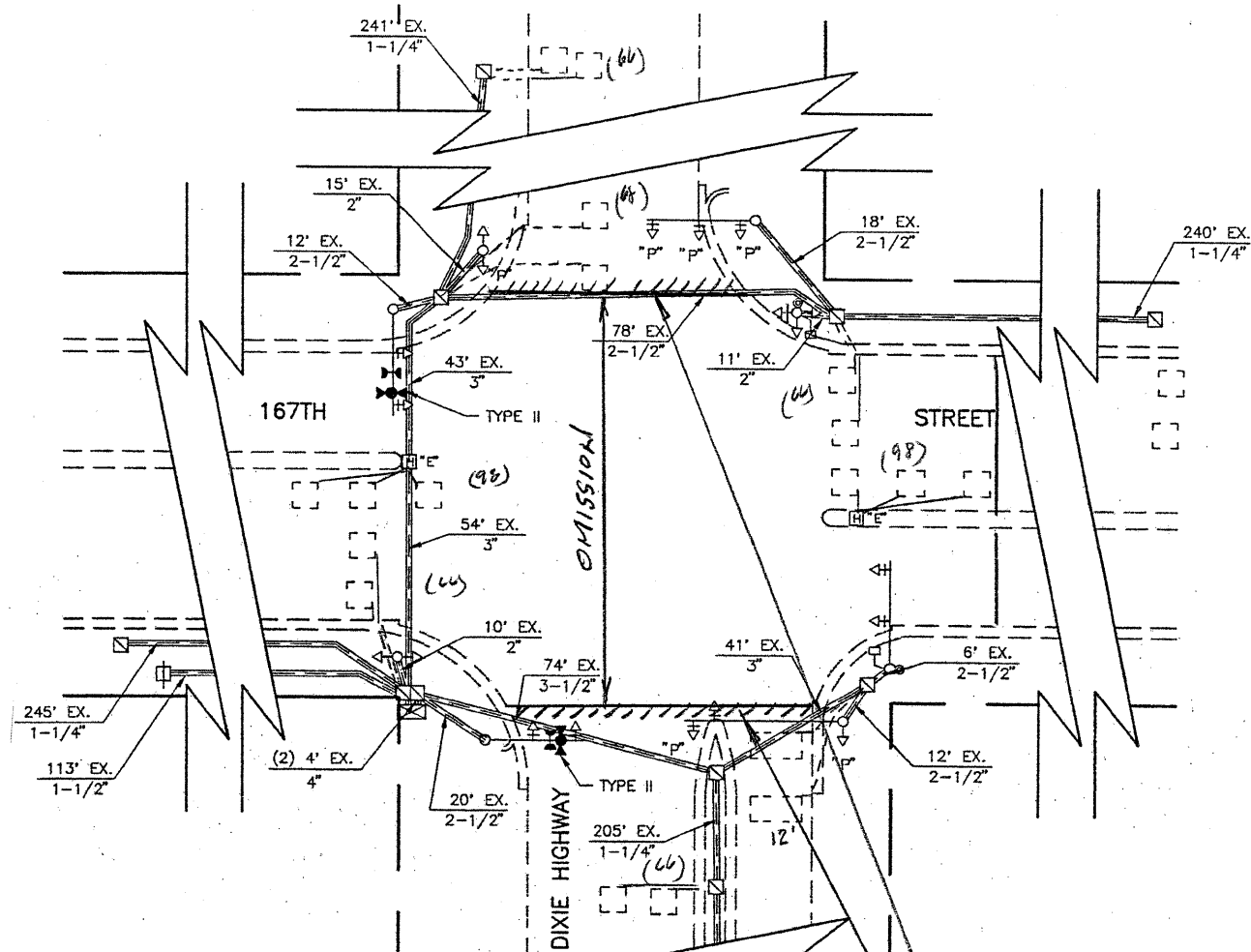


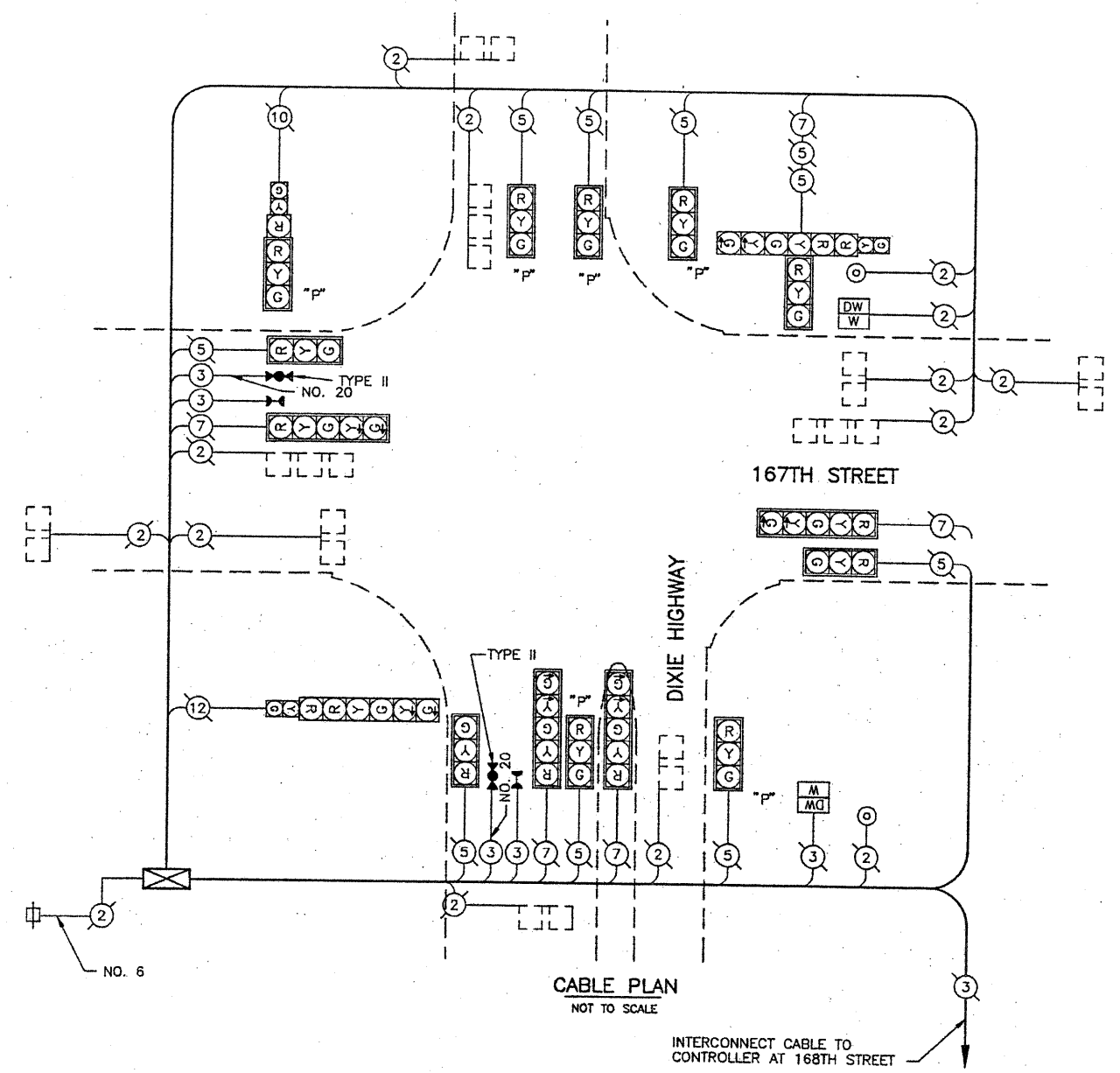
TRAFFIC SIGNAL LEGEND

	PROPOSED	EXISTING
DETECTOR LOOP		
SIGNAL HEAD		
G.S. CONDUIT IN TRENCH OR PUSHED		
SIGNAL HEAD WITH BACKPLATE		
RACEWAY FOR MAGNETIC DETECTOR, TYPE I OR II		
VEHICLE DETECTOR, NON-COMPENSATED MAGNETIC TYPE		



TRAFFIC SIGNAL PLAN
SCALE 1" = 20'

RESURFACING
LIMITS



CABLE PLAN
NOT TO SCALE

INTERCONNECT CABLE TO
CONTROLLER AT 168TH STREET

THIS PLAN IS FOR THE SOLE
PURPOSE OF DETECTOR LOOP
REPLACEMENTS ONLY

REPLACE ALL DETECTOR LOOPS AS SHOWN
(WITHIN THE RESURFACING LIMITS)

CODE	QUANTITY	UNIT	ITEM
86600600	276	FOOT	DETECTOR LOOP, REPLACEMENT

FILE NAME =	USER NAME = kanthaphixaybo	DESIGNED - BCK	REVISED -	STATE OF ILLINOIS DEPARTMENT OF TRANSPORTATION	DISTRICT ONE - DETECTOR LOOP REPLACEMENT DIXIE HIGHWAY @ 167TH STREET	F.A.U. RTE. 2843	SECTION 3248 RS-1	COUNTY COOK	TOTAL SHEETS 26	SHEET NO. 10
CONTRACT NO. 60 I 04	CONTRACT NO. 60 I 04	SCALE: NONE	SHEET NO. OF SHEETS STA. TO STA.			FED. ROAD DIST. NO.	ILLINOIS FED. AID PROJECT			
PLLOT SCALE = 3/4" = 1' IN.	CHECKED - DAD	REVISIED -								
PLLOT DATE = 4/3/2009	DATE	REVISIED -								