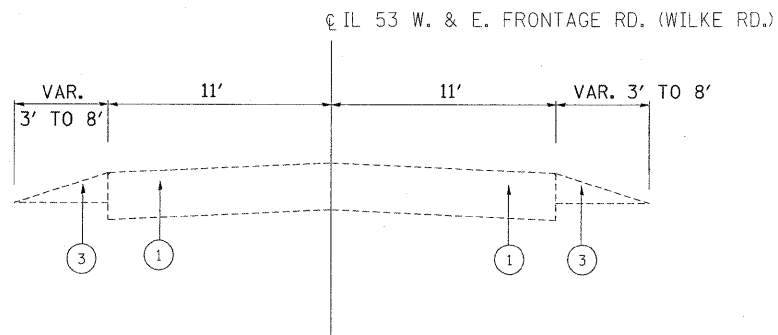
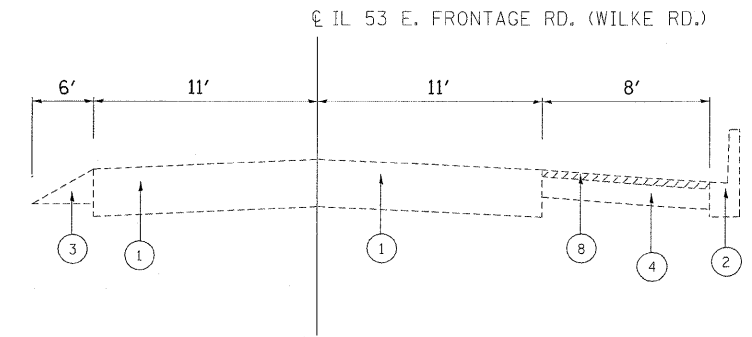


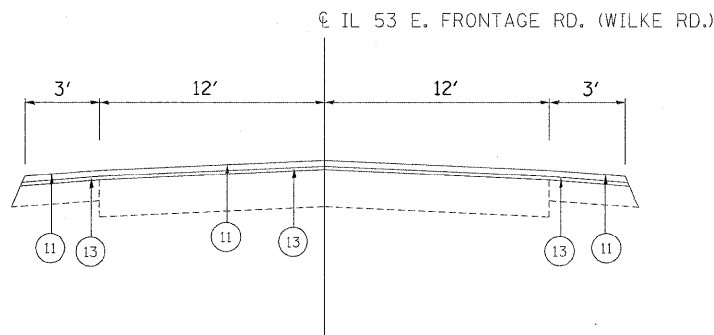
EXISTING TYPICAL SECTION
IL 53 E. FRONTAGE RD. (WILKE RD.)
STA. 84+99 TO STA 99+69
(LOOKING NORTH)



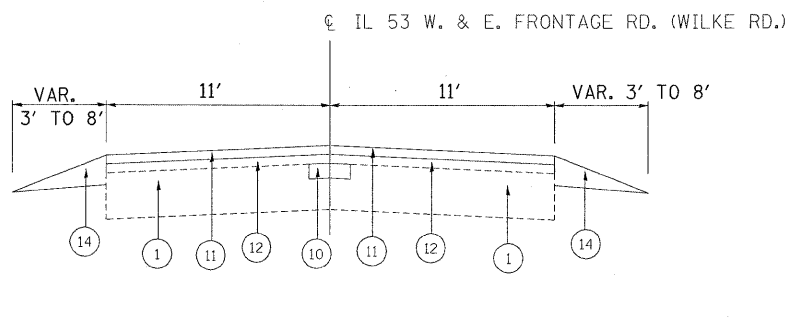
EXISTING TYPICAL SECTION
IL 53 W. & E. FRONTAGE RD. (WILKE RD.)
STA. 103+62 TO STA 132+45
STA. 135+00 TO STA 141+92
STA. 256+26 TO STA 283+77
STA. 304+41 TO STA 338+55
(LOOKING NORTH)
STA. 106+90
STA. 113+00
STA. 117+00
STA. 122+00
* CONC. DRIVEWAY



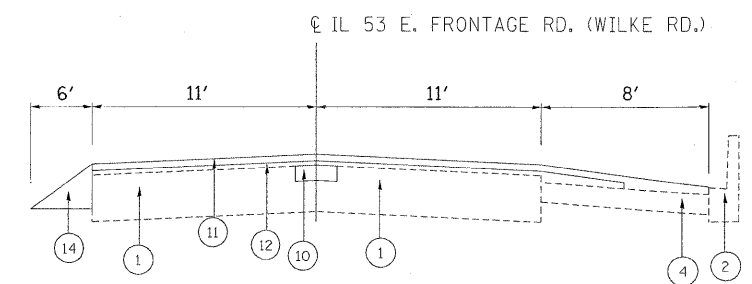
EXISTING TYPICAL SECTION
IL 53 E. FRONTAGE RD. (WILKE RD.)
STA. 132+45 TO STA. 135+00



PROPOSED TYPICAL SECTION
IL 53 E. FRONTAGE RD. (WILKE RD.)
STA. 84+99 TO STA 99+69
(LOOKING NORTH)



PROPOSED TYPICAL SECTION
IL 53 W. & E. FRONTAGE RD. (WILKE RD.)
STA. 103+62 TO STA 132+45
STA. 135+00 TO STA 141+92
STA. 256+26 TO STA 283+77
STA. 304+41 TO STA 338+55
(LOOKING NORTH)



PROPOSED TYPICAL SECTION
IL 53 E. FRONTAGE RD. (WILKE RD.)
STA. 132+45 TO STA. 135+00

NOTE: CONTRACTOR SHALL MILL FIRST, THEN PATCH
SEE STANDARD BD-22.

LEGEND

- ① EXISTING PCC PAVEMENT ±9"
- ② EXISTING COMBINATION CONCRETE CURB & GUTTER
- ③ EXISTING AGGREGATE SHOULDER
- ④ EXISTING HMA SHOULDER
- ⑤ EXISTING HMA PAVEMENT ±12"
- ⑥ EXISTING PCC SIDEWALK
- ⑦ PROPOSED HOT-MIX ASPHALT SURFACE REMOVAL, 2 1/4"
- ⑧ PROPOSED HOT-MIX ASPHALT SURFACE REMOVAL, 1 1/2"
- ⑨ PROPOSED PORTLAND CEMENT CONCRETE SURFACE REMOVAL (VARIABLE DEPTH)
- ⑩ PROPOSED PARTIAL DEPTH REMOVAL 3"
- ⑪ PROPOSED HOT-MIX ASPHALT SURFACE COURSE, MIX "D", N70, 1 1/2"
- ⑫ PROPOSED POLYMERIZED LEVELING BINDER (MACHINE METHOD), IL-4.75, N50, 1"
- ⑬ PROPOSED POLYMERIZED LEVELING BINDER (MACHINE METHOD), IL-4.75, N50, 3/4"
- ⑭ PROPOSED AGGREGATE WEDGE SHOULDER, TYPE B

FILE NAME =	USER NAME = abreuh	DESIGNED -	REVISED -	STATE OF ILLINOIS DEPARTMENT OF TRANSPORTATION	IL 53 E. & W. FRONTAGE RD (WILKE RD) TYPICAL SECTIONS			RTE.	SECTION	COUNTY	SHEETS	NO.			
cd:\pwork\pwork\ABREUH\0146101\0185609-Design.dgn		DRAWN -	REVISED -		SCALE: NTS	SHEET NO.	OF	SHEETS	STA. X	TO STA. X	305	2009-076 RS	COOK	34	5
		CHECKED -	REVISED -												
		DATE -	REVISED -												
										CONTRACT NO. 60110					
											FED. ROAD DIST. NO. 1 ILLINOIS FED. AID PROJECT				