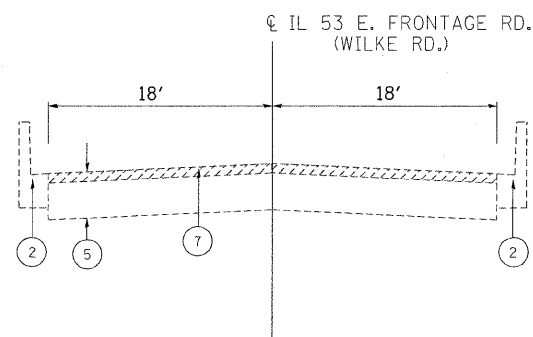
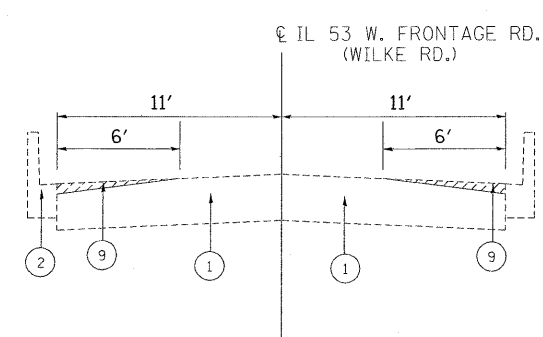


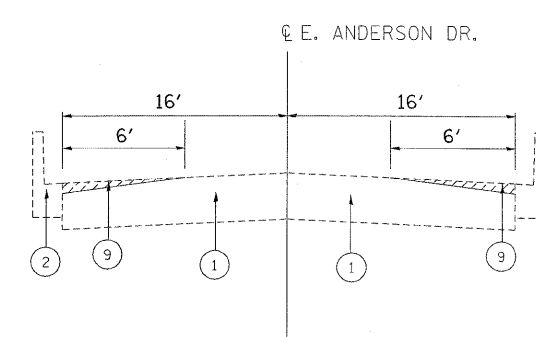
EXISTING TYPICAL SECTION
IL 53 E. FRONTAGE RD. (WILKE RD.)
STA. 141+92 TO STA 143+39
(LOOKING NORTH)



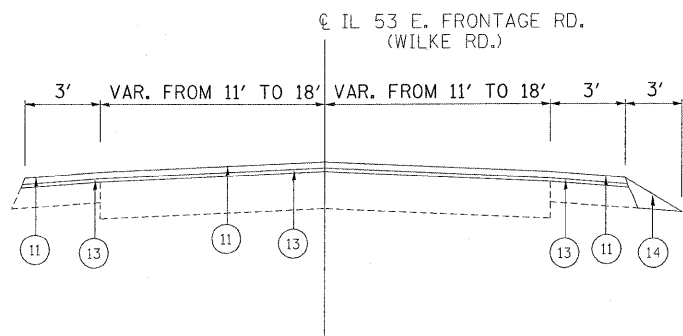
EXISTING TYPICAL SECTION
IL 53 E. FRONTAGE RD. (WILKE RD.)
STA 143+39 TO STA. 144+92
(LOOKING NORTH)



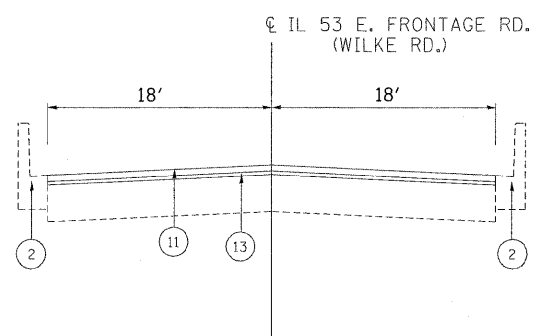
EXISTING TYPICAL SECTION
IL 53 W. FRONTAGE RD. (WILKE RD.)
STA. 225+44+ TO STA 242+70
(LOOKING NORTH)



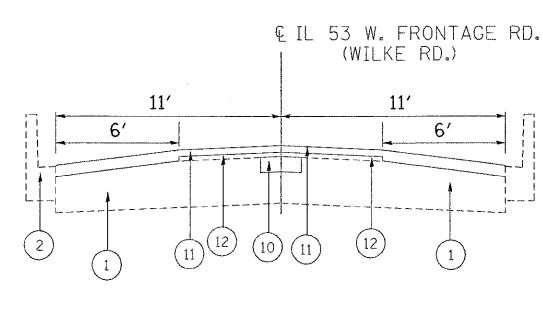
EXISTING TYPICAL SECTION
E. ANDERSON DRIVE



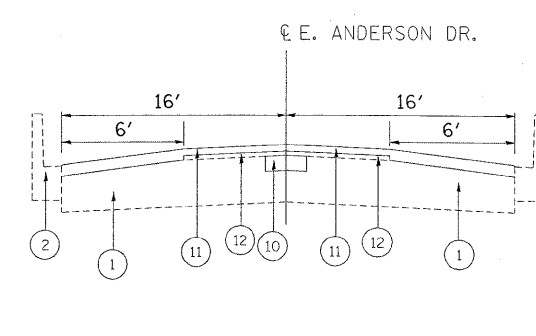
PROPOSED TYPICAL SECTION
IL 53 E. FRONTAGE RD. (WILKE RD.)
STA. 141+92 TO STA 143+39
(LOOKING NORTH)



PROPOSED TYPICAL SECTION
IL 53 E. FRONTAGE RD. (WILKE RD.)
STA 143+39 TO STA. 144+92
(LOOKING NORTH)



PROPOSED TYPICAL SECTION
IL 53 W. FRONTAGE RD. (WILKE RD.)
STA. 225+44+ TO STA 242+70
(LOOKING NORTH)



PROPOSED TYPICAL SECTION
E. ANDERSON DRIVE

NOTE: CONTRACTOR SHALL MILL FIRST, THEN PATCH
SEE STANDARD BD-22.

LEGEND

- (1) EXISTING PCC PAVEMENT ±9"
- (2) EXISTING COMBINATION CONCRETE CURB & GUTTER
- (3) EXISTING AGGREGATE SHOULDER
- (4) EXISTING HMA SHOULDER
- (5) EXISTING HMA PAVEMENT ±12"
- (6) EXISTING PCC SIDEWAK
- (7) PROPOSED HOT-MIX ASPHALT SURFACE REMOVAL, 2 1/4"
- (8) PROPOSED HOT-MIX ASPHALT SURFACE REMOVAL, 1 1/2"
- (9) PROPOSED PORTLAND CEMENT CONCRETE SURFACE REMOVAL (VARIABLE DEPTH)
- (10) PROPOSED PARTIAL DEPTH REMOVAL 3"
- (11) PROPOSED HOT-MIX ASPHALT SURFACE COURSE, MIX "D", N70, 1 1/2"
- (12) PROPOSED POLYMERIZED LEVELING BINDER (MACHINE METHOD), IL-4.75, N50, 1"
- (13) PROPOSED POLYMERIZED LEVELING BINDER (MACHINE METHOD), IL-4.75, N50, 3/4"
- (14) PROPOSED AGGREGATE WEDGE SHOULDER, TYPE B

FILE NAME =	USER NAME = abreuah	DESIGNED -	REVISED -	STATE OF ILLINOIS DEPARTMENT OF TRANSPORTATION	IL 53 E. & W. FRONTAGE RD & ANDERSON DR. TYPICAL SECTIONS			F.A.P. RTE. 305	SECTION 2009-076 RS	COUNTY COOK	TOTAL SHEETS 34	SHEET NO. 6
CONTRACT NO. 60110	PLOT SCALE = 50.0000' / IN.	DRAWN -	REVISED -		SCALE: NTS	SHEET NO. OF SHEETS	STA. X TO STA. X	FED. ROAD DIST. NO. 1 ILLINOIS FED. AID PROJECT				
	PLOT DATE = 8/7/2009	CHECKED -	REVISED -									
		DATE -	REVISED -									