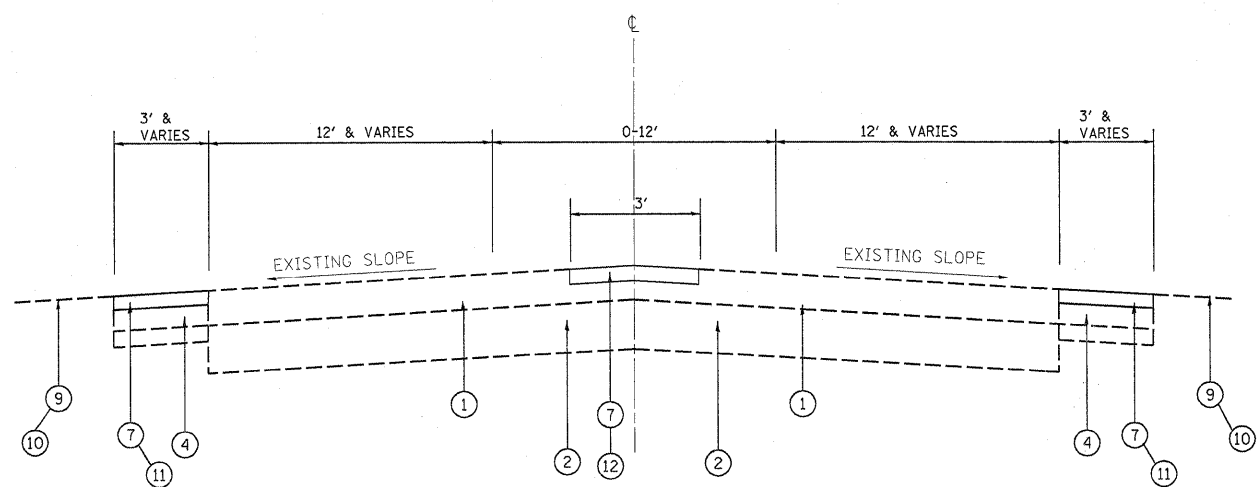


ILL. 62

EXISTING TYPICAL SECTION

STA. 16+50 TO STA. 26+00 LT.	STA. 17+75 TO STA. 26+00 RT.
STA. 33+00 TO STA. 34+50 LT.	STA. 28+00 TO STA. 31+65 RT.
STA. 42+00 TO STA. 59+00 LT.	STA. 34+00 TO STA. 39+00 RT.
STA. 63+00 TO STA. 71+00 LT.	STA. 40+59 TO STA. 55+00 RT.
STA. 79+00 TO STA. 244+00 LT.	STA. 62+47 TO STA. 67+50 RT.
	STA. 79+00 TO STA. 244+86 RT.



ILL. 62

PROPOSED TYPICAL SECTION

STA. 16+50 TO STA. 26+00 LT.	STA. 17+75 TO STA. 26+00 RT.
STA. 33+00 TO STA. 34+50 LT.	STA. 28+00 TO STA. 31+65 RT.
STA. 42+00 TO STA. 59+00 LT.	STA. 34+00 TO STA. 39+00 RT.
STA. 63+00 TO STA. 71+00 LT.	STA. 40+59 TO STA. 55+00 RT.
STA. 79+00 TO STA. 244+00 LT.	STA. 62+47 TO STA. 67+50 RT.
	STA. 79+00 TO STA. 244+86 RT. * *

LEGEND

- | | |
|---|---|
| ① EXISTING HOT-MIX ASPHALT SURFACE, 10" (+/-) | ⑧A PROPOSED REMOVAL AND DISPOSAL OF UNSUITABLE MATERIAL |
| ② EXISTING P.C.C. BASE COURSE, 8" (+/-) | ⑨ PROPOSED AGGREGATE WEDGE SHOULDER, TYPE B (WHERE NECESSARY) |
| ③ EXISTING SUBBASE MATERIAL | ⑩ PROPOSED GRADING AND SHAPING SHOULDERS (WHERE NECESSARY) |
| * ④ EXISTING HOT-MIX ASPHALT SHOULDER, 8" | ⑪ PROPOSED SHOULDER RUMBLE STRIPES, (16" WIDE) |
| ⑤ EXISTING AGGREGATE OR GRASS SHOULDER | ⑪A PROPOSED SHOULDER RUMBLE STRIPES, (8" WIDE) |
| ⑥ PROPOSED HOT-MIX ASPHALT SURFACE REMOVAL, 2" | ⑫ PROPOSED CENTERLINE RUMBLE STRIPES, (16" WIDE) |
| ⑦ PROPOSED HOT-MIX ASPHALT SURFACE COURSE, MIX "D", N70, 2" | ⑬ PROPOSED HOT-MIX ASPHALT SHOULDERS, 8" |
| ⑧ PROPOSED PAVED SHOULDER REMOVAL | ⑭ PROPOSED SUBBASE GRANULAR MATERIAL TYPE B, 4" |

HOT-MIX ASPHALT MIXTURE REQUIREMENTS	
MIXTURE TYPE	AIR VOIDS(%)
SHOULDER RESURFACING & CENTERLINE PATCHING	
HOT-MIX ASPHALT SURFACE COURSE, MIX "D", N70 (IL-9.5MM), 2"	4% @ 70 GYR.
HMA SHOULDER	
HOT-MIX ASPHALT SHOULDER, 8" (HMA BINDER, IL-19MM)	2% @ 30 GYR.

NOTE: THE UNIT WEIGHT USED TO CALCULATE ALL HOT-MIX ASPHALT SURFACE MIXTURE QUANTITIES IS 112 LBS/SQ YD/IN.

"THE "AC TYPE" FOR POLYMERIZED HMA MIXES SHALL BE "SBS/SBR PG 70-22" AND FOR NON-POLYMERIZED HMA THE "AC TYPE" SHALL BE "PG 64-22" UNLESS MODIFIED BY DISTRICT ONE SPECIAL PROVISIONS."
 "FOR "PERCENT OF RAP" SEE DISTRICT ONE SPECIAL PROVISIONS."

NOTE:

- * WHERE HMA SHOULDERS ARE > 7' WIDE, ONLY MILL 3'.
- ** ALL PROPOSED RUMBLE STRIPES TO END AT STA. 235+06