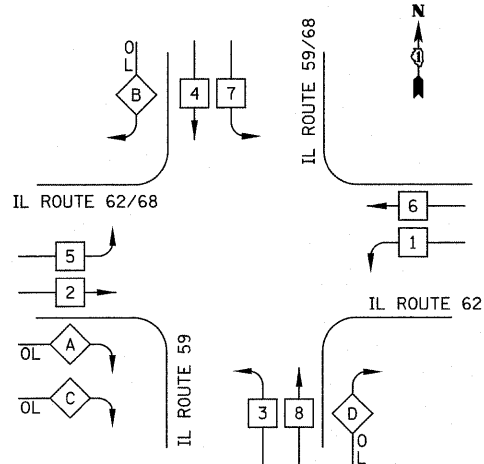
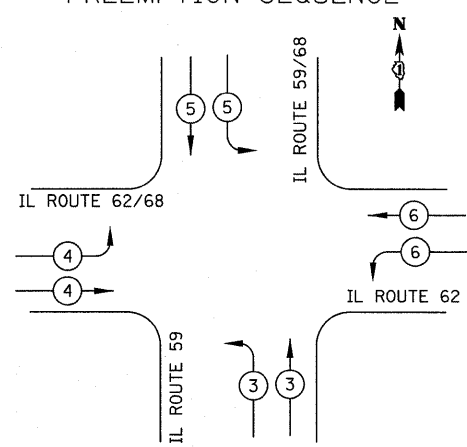


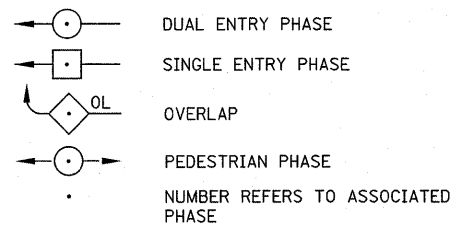
EXISTING AND PROPOSED CONTROLLER SEQUENCE



EXISTING AND PROPOSED EMERGENCY VEHICLE PREEMPTION SEQUENCE



LEGEND



PROPOSED EMERGENCY VEHICLE PREEMPTORS				
EMERGENCY VEHICLE PREEMPTOR	3	4	5	6
MOVEMENT				

PHASE DESIGNATION DIAGRAM

RIGHT TURN OVERLAP PHASE DESIGNATION

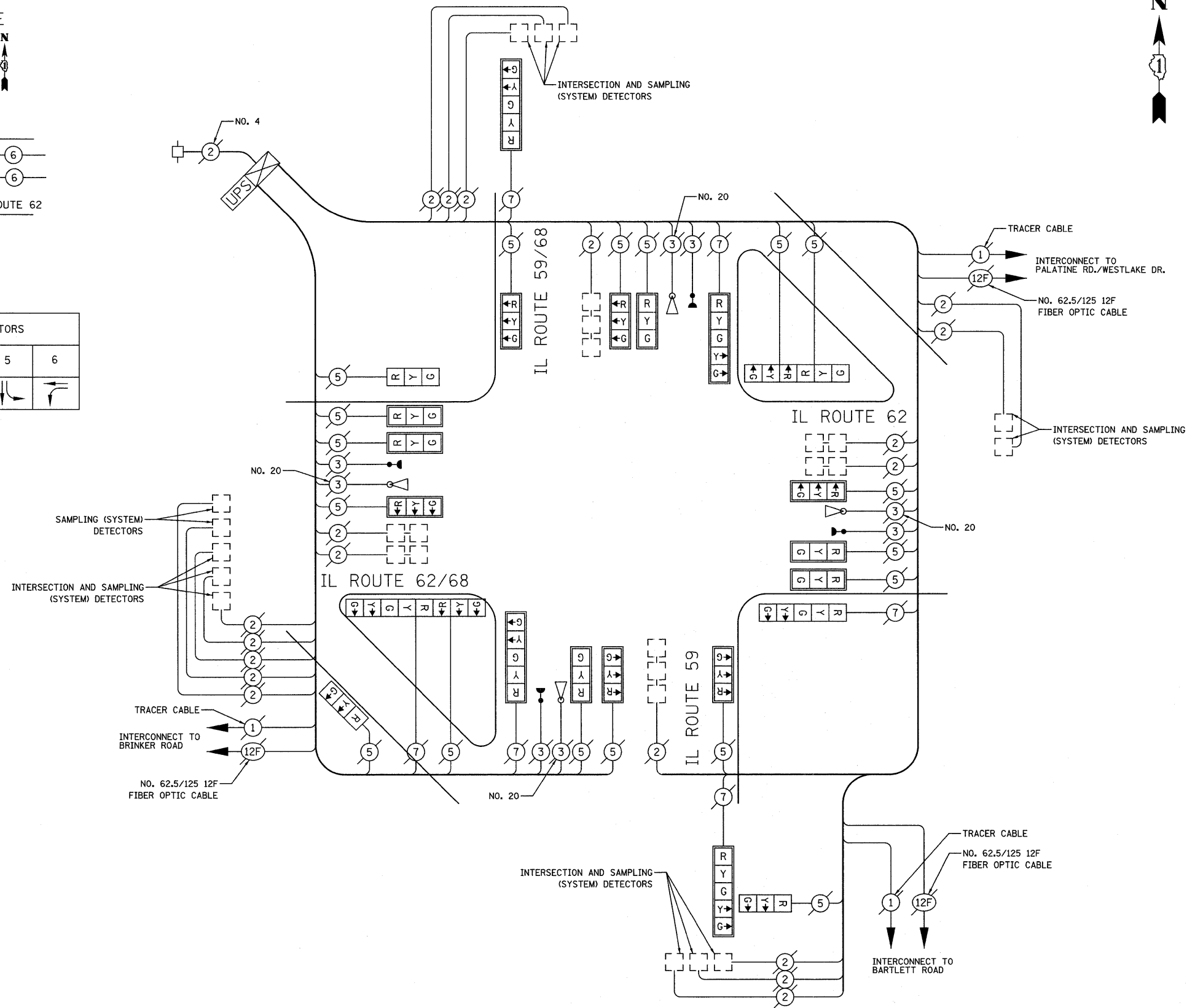
OVERLAP LETTER	PERMISSIVE PHASE	PROTECTED PHASE
A	= 2	+ 3
B	= 4	+ 5
C	=	2 + 3
D	= 8	+ 1

SCHEDULE OF QUANTITIES

PAY ITEM	UNIT	QUANTITY
MAINTENANCE OF EXISTING TRAFFIC SIGNAL INSTALLATION	EACH	1
SIGNAL HEAD, L.E.D., 1-FACE, 3-SECTION, MAST ARM MOUNTED	EACH	12
SIGNAL HEAD, L.E.D., 1-FACE, 3-SECTION, BRACKET MOUNTED	EACH	3
SIGNAL HEAD, L.E.D., 1-FACE, 5-SECTION, BRACKET MOUNTED	EACH	1
SIGNAL HEAD, L.E.D., 1-FACE, 5-SECTION, MAST ARM MOUNTED	EACH	4
SIGNAL HEAD, L.E.D., 2-FACE, 3-SECTION, BRACKET MOUNTED	EACH	1
SIGNAL HEAD, L.E.D., 2-FACE, 1-3 SECTION, 1-5 SECTION, BRACKET MOUNTED	EACH	1
TRAFFIC SIGNAL BACKPLATE, LOUVERED, ALUMINUM	EACH	16
REMOVE EXISTING TRAFFIC SIGNAL EQUIPMENT	EACH	1
UNINTERRUPTIBLE POWER SUPPLY	EACH	1

I.D.O.T. TRAFFIC SIGNAL INSTALLATION ELECTRICAL SERVICE REQUIREMENTS					TOTAL WATTAGE
TYPE	NO. LAMPS	WATTAGE		% OPERATION	
SIGNAL (RED)	24	INCAND.	17	0.50	204
		LED	25	0.25	
			15	0.25	
ARROW (GREEN)	12		12	0.10	14
PED. SIGNAL			25	1.00	
CONTROLLER	1		100	1.00	100
FLASHER					0.50
TOTAL =					558

ENERGY COSTS TO: ILLINOIS DEPARTMENT OF TRANSPORTATION
201 WEST CENTER COURT
SCHAUMBURG, IL 60196-1096
CONTACT: DOTTIE PROSEN
PHONE: (847) 816-5323
COMPANY: COM ED



CABLE PLAN
NOT TO SCALE

NOTE:
THE TRAFFIC SIGNAL CONTROLLER EQUIPMENT FOR THIS PROJECT SHALL BE "EAGLE" TO MATCH THE EXISTING ADJACENT SYSTEM.