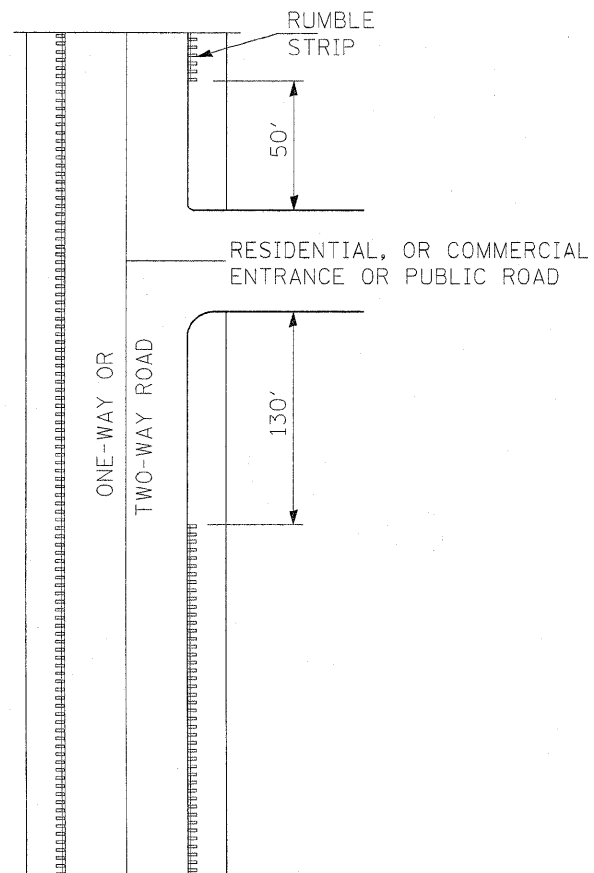
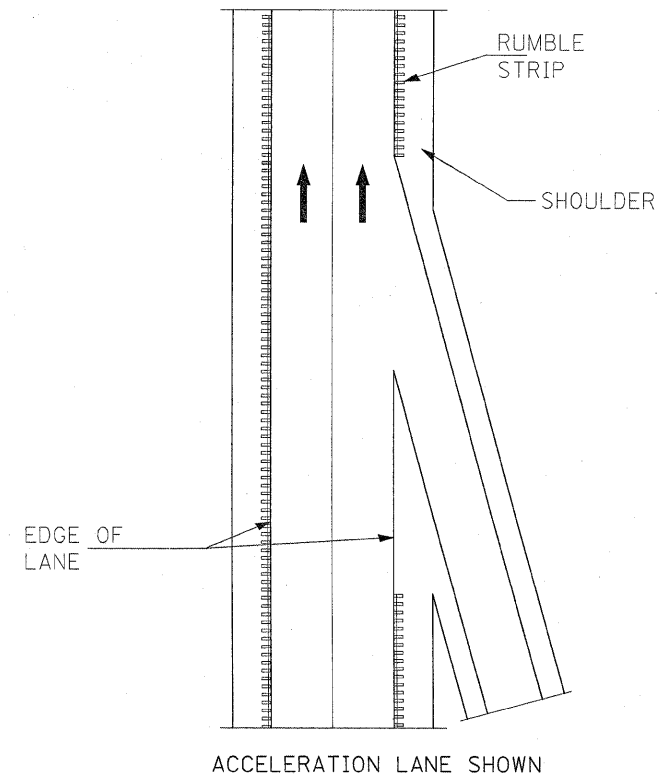


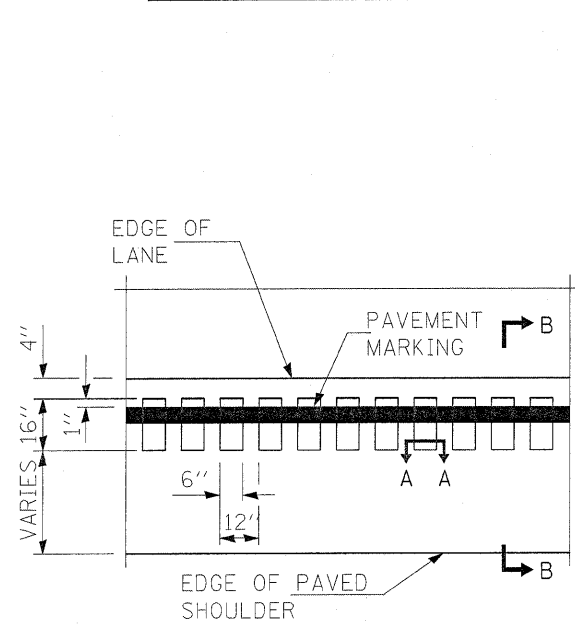
RUMBLE STRIPE EXPRESSWAY DIVIDED



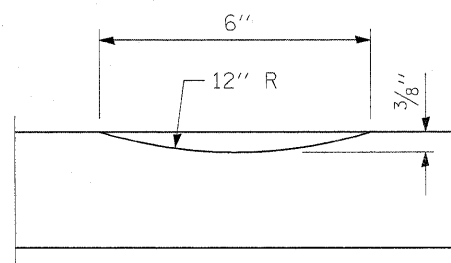
RUMBLE STRIPE INTERSECTIONS



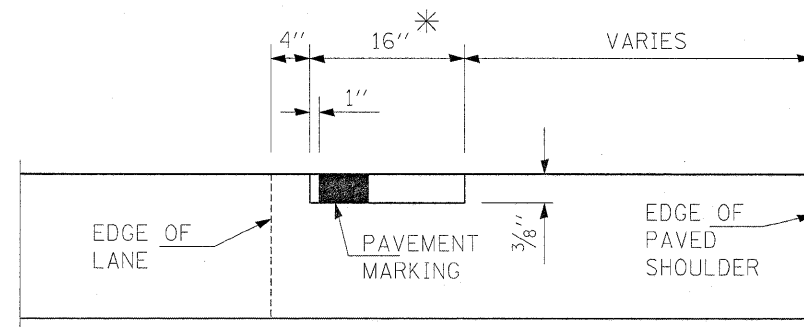
RUMBLE STRIPE ACCELERATION OR DECELERATION LANE



PLAN FOR RUMBLE STRIPE



SECTION A-A



SECTION B-B

GENERAL NOTES

ON PORTLAND CEMENT CONCRETE SHOULDERS, NO SHOULDER RUMBLE STRIPE SHALL BE LOCATED CLOSER THAN 150 mm (6") TO A TRANSVERSE JOINT.

OMIT SHOULDER RUMBLE STRIP ACROSS STRUCTURES.

SHOULDER RUMBLE STRIPES TO BE PAID FOR AS SHOULDER RUMBLE STRIP AND THERMOPLASTIC PAVEMENT MARKING - LINE 4"

* 8" WIDE RUMBLE STRIPES TO BE INSTALLED AT LOCATIONS ADJACENT TO GUARDRAIL W. HMA SHOULDERS < 3'

FILE NAME =	USER NAME = banks1	DESIGNED -	REVISED -	STATE OF ILLINOIS DEPARTMENT OF TRANSPORTATION	SHOULDER RUMBLE STRIPE FOR NON-FREEWAY	F.A.P. RTE.	SECTION	COUNTY	TOTAL SHEETS	SHEET NO.	
cr:\pw\work\pwidot\banks1\0161588\0103110-shr-plan.dgn	PLOT SCALE = 50.0000' / IN.	DRAWN -	REVISED -			339	2009-0881	KANE/COOK	37	36	
PLOT DATE = 12/17/2009	DATE -	CHECKED -	REVISED -			CONTRACT NO. 60136					
		DATE -	REVISED -			ILLINOIS FED. AID PROJECT					
					SCALE:	SHEET NO.	OF	SHEETS	STA.	TO STA.	