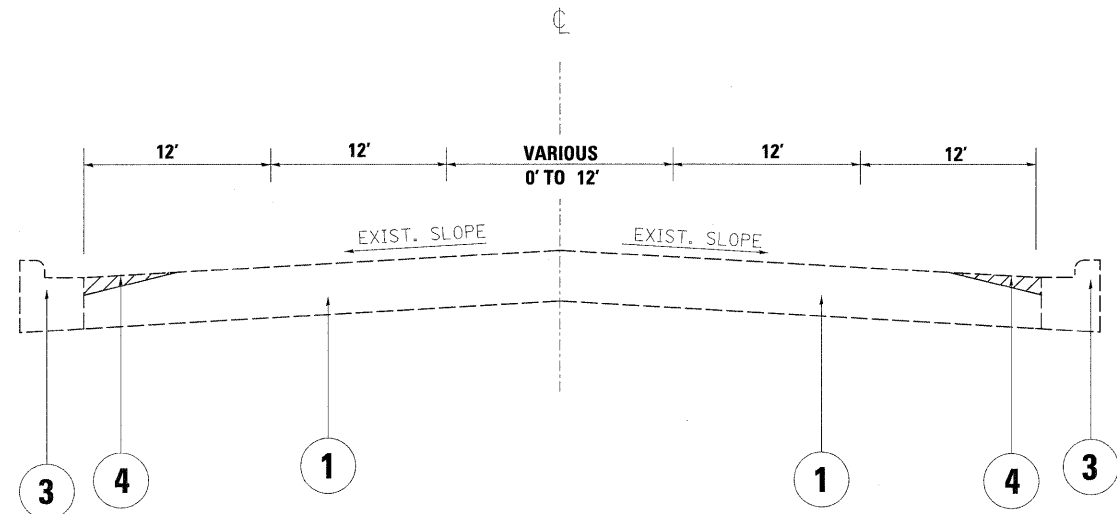


JOLIET RD.

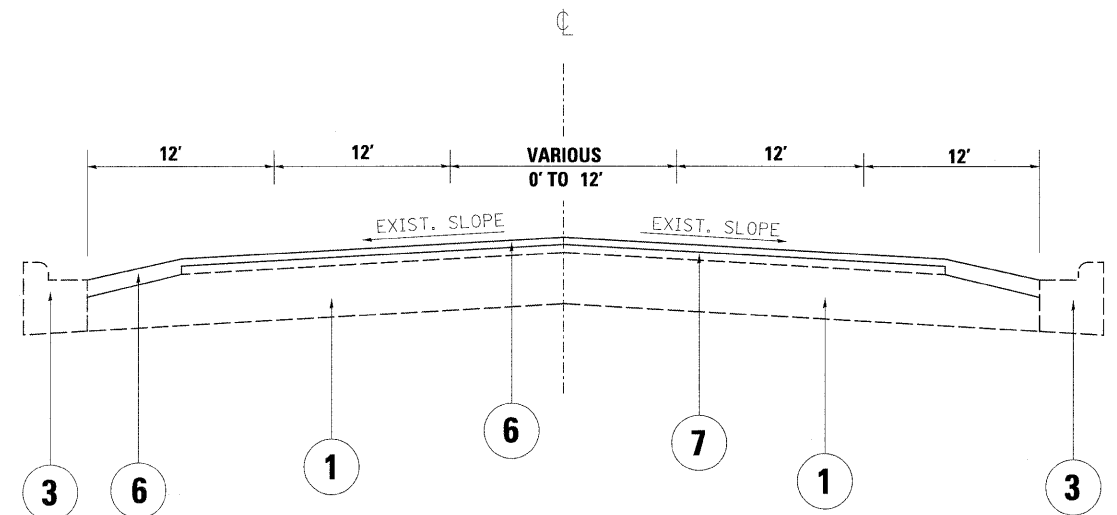


EXIST. TYPICAL SECTION  
STA. 224+93.9 TO STA. 239+52.5

LEGEND

- ① EXISTING P.C.C PAVEMENT, ±9"
- ② EXISTING HOT-MIX ASPHALT AFTER MILLING, ±5"
- ②A EXISTING HOT-MIX ASPHALT AFTER MILLING, ±2"
- ③ EXISTING COMB. CURB AND GUTTER
- ③A EXISTING AGGREGATE SHOULDER
- ④ PROP. PORTLAND CEMENT CONCRETE SURFACE REMOVAL, (VARIABLE DEPTH) (0" TO 1 1/4")
- ⑤ PROPOSED HOT-MIX ASPHALT SURFACE REMOVAL, 2 1/2"
- ⑥ PROP. POLY. HOT-MIX ASPHALT SURFACE COURSE, MIX "F" N90, 1 3/4"
- ⑦ PROP. POLY. LEVELING BINDER (MACHINE METHOD), IL-4.75 N50, 3/4"
- ⑧ PROP. AGGREGATE WEDGE SHOULDER, TYPE B
- ⑨ PROP. GRADING AND SHAPING SHOULDERS

JOLIET RD.



PROP. TYPICAL SECTION  
STA. 224+93.9 TO STA. 239+52.5

\*FAU 3562 & FAU 1504

FILE NAME = es:\pw_work\p\pidot\abebawa\d0157545\DI03710-sht-plen.dgn	USER NAME = abebawa	DESIGNED - Designed By	REVISED - Revised By1	<b>STATE OF ILLINOIS DEPARTMENT OF TRANSPORTATION</b>	<b>JOLIET RD (I-294 TO IL 43 (HARLEM AVE.)) EXISTING AND PROPOSED TYPICAL SECTIONS</b>	F.A.U. RTE.	SECTION	COUNTY	TOTAL SHEETS	SHEET NO.	
	PLOT SCALE = 49,9999 ' / IN.	CHECKED - Checked By	REVISED - Revised By2			•	2009-131 RS	COOK	57	5	
PLOT DATE = 11/20/2009	DATE - Checked Date	REVISED - Revised By3	REVISED - Revised By4		SCALE: Scale	SHEET NO. OF SHEETS	STA. TO STA.	CONTRACT NO. 60142			
					FED. ROAD DIST. NO.		ILLINOIS FED. AID PROJECT				