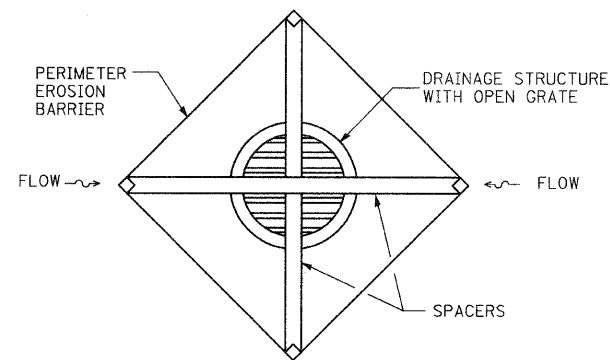
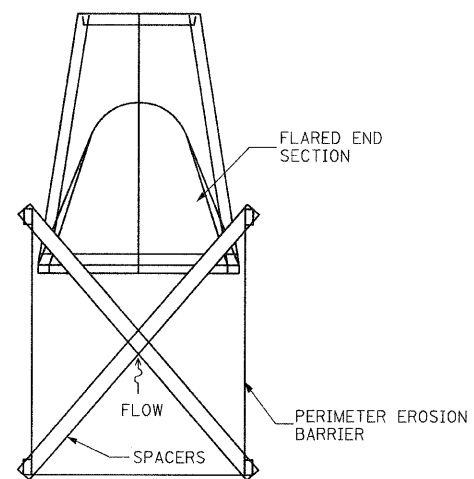


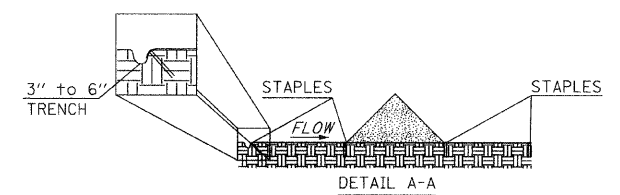
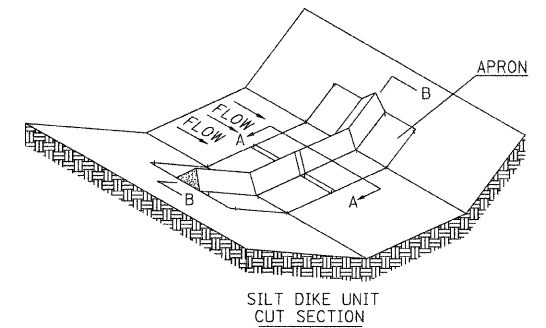
STABILIZED CONSTRUCTION ENTRANCE
NOT TO SCALE



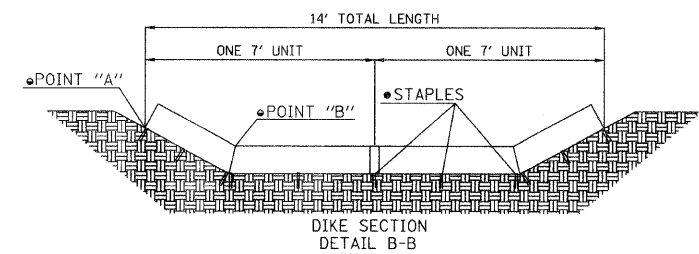
• INSTALL PER IDOT STANDARD 280001-04

DRAINAGE PROTECTION
NOT TO SCALE

TEMPORARY DITCH CHECKS INSTALLATION
(TRIANGULAR SILT DIKE)



• STAPLES SHALL BE PLACED WHERE THE UNITS OVERLAP AND IN THE CENTER OF THE 7' UNIT AS SHOWN ON THE DIAGRAMS



• POINT "A" MUST BE HIGHER THAN POINT "B" TO ENSURE THAT WATER FLOWS OVER THE DIKE AND NOT AROUND THE ENDS.

TEMPORARY DITCH CHECK NOTES:

1. SPACING SHALL HAVE 1 DIKE PER VERTICAL FOOT DROP
2. EACH TEMPORARY DITCH CHECK SHALL CONSIST OF A MINIMUM OF TWO (2) TRIANGULAR SILT DIKES APPROXIMATELY 7' LONG EACH FOR A TOTAL LENGTH OF 14' PER LOCATION. THE TRIANGULAR SECTION SHALL BE OF URETHANE FOAM COVERED WITH A GEOTEXTILE FABRIC. THE TEMPORARY DITCH CHECK SHALL BE INSTALLED ON A GEOTEXTILE FABRIC APRON. TEMPORARY DITCH CHECKS SHALL BE INSTALLED AT THE LOCATIONS SPECIFIED ON THE EROSION CONTROL PLAN, OR AS DIRECTED BY THE ENGINEER, AND IN ACCORDANCE WITH THE DETAIL INCLUDED IN THE PLANS AND THE MANUFACTURER'S RECOMMENDATIONS.
3. TEMPORARY DITCH CHECK SHALL BE LIMITED TO TRIANGULAR SILT DIKES OR AN APPROVED EQUAL.

FILE NAME = DI-2173-erosion control-details.dgn	USER NAME = CEI.User	DESIGNED - RJD/BJB	REVISED -	STATE OF ILLINOIS DEPARTMENT OF TRANSPORTATION	DES PLAINES RIVER TRAIL IMPROVEMENTS EROSION CONTROL DETAILS	F.A. RTE.	SECTION	COUNTY	TOTAL SHEETS	SHEET NO.	
		DRAWN - ARA	REVISED -					08-00202-00-SW	COOK	118	14
		CHECKED - M.J.F.	REVISED -			SCALE: NONE	SHEET NO. 2 OF 8 SHEETS	STA.	TO STA.	CONTRACT NO. 63168-	
		DATE - 5/28/09	REVISED -					FED. ROAD DIST. NO.		ILLINOIS FED. AID PROJECT: CMM-9003(118)	

02188