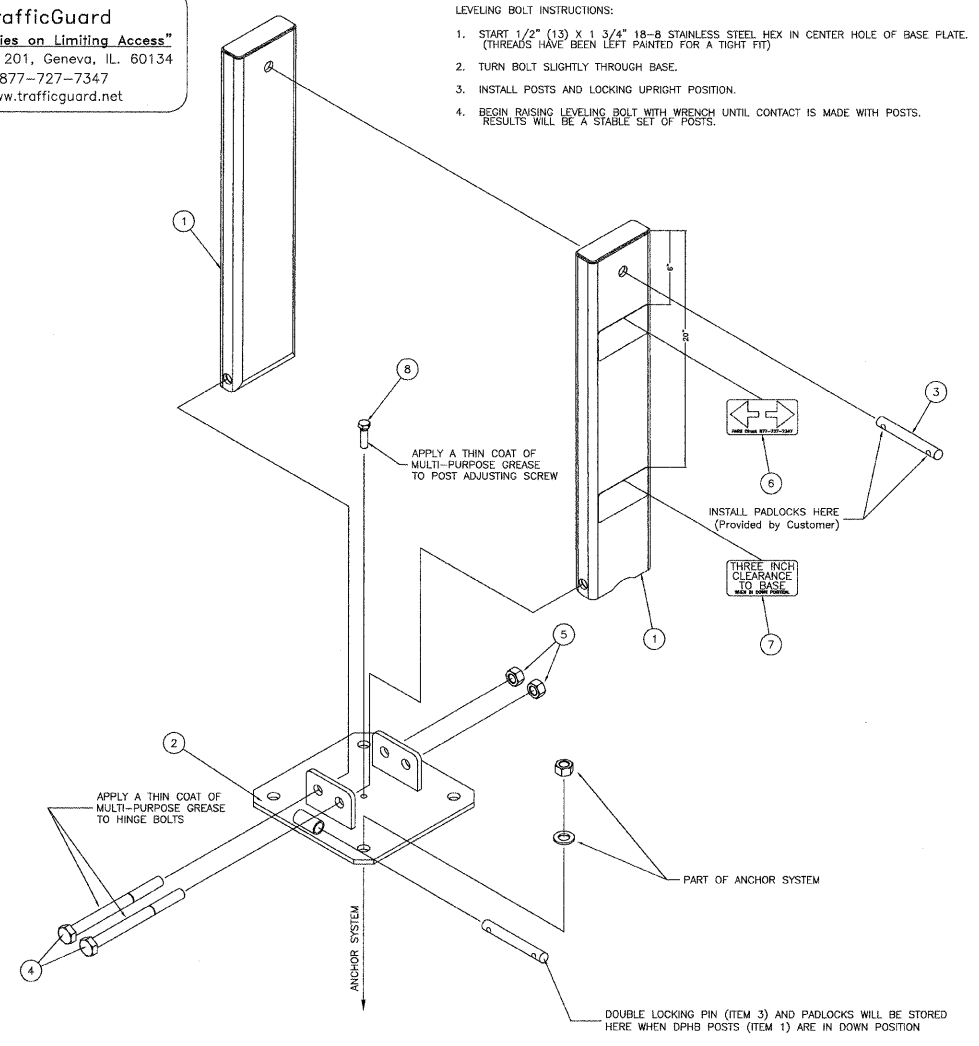
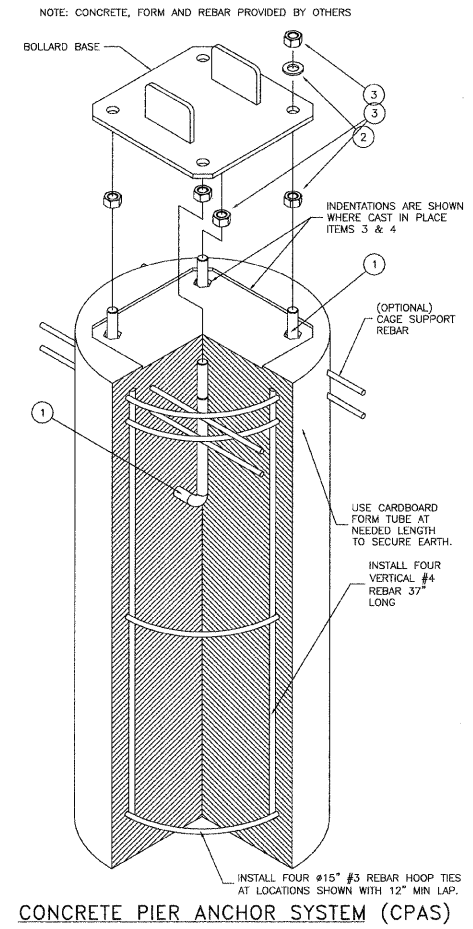


TrafficGuard  
 "Authorities on Limiting Access"  
 P.O. Box 201, Geneva, IL. 60134  
 877-727-7347  
 www.trafficguard.net



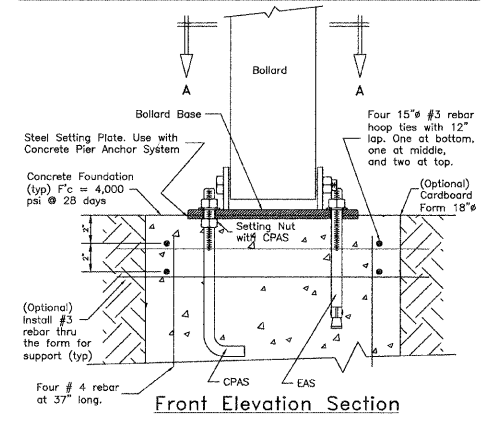
ITEM PART #	DESCRIPTION	QTY.
* 9001	CPAS KIT -- INCLUDES THE FOLLOWING PART NUMBERS *	*
1 0002	#3/4" x 12" TYPE L ANCHOR BOLT-H.D.G.	4
2 0007	#3/4" TYPE A FLAT NARROW WASHER GALVANIZED STEEL	4
3 0006	#3/4" HEX NUT GALVANIZED STEEL	8



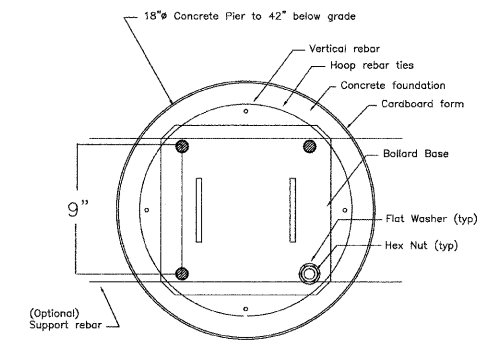
CONCRETE PIER ANCHOR SYSTEM (CPAS)

These Anchorage systems are designed for the notes loading based on a quality substrate material and proper installation, by the customer's contractor. The installation shall conform to the drawing and the manufacturer's instructions. The customer is responsible to determine the adequate quality of new or existing concrete and the earth substrate. The concrete shall be solid and uncrossed with adequate thickness for the anchors and a compressive strength of  $F_c$  (minimum)=4,000 pounds per square inch. The earth shall have an unconfined strength of  $Q_u$  (minimum)=4,000 pounds per square foot. If you have questionable substrates, contact your local structural engineer for appropriate anchorage evaluation and/or anchorage design. A test installation may be required to determine the adequacy of the anchorage system for your specific installation. Call PARS Direct for installation guidance, if needed.

Anchor Installation Note



Front Elevation Section



Plan Section "A-A"

FOLD DOWN BOLLARD DETAIL

FILE NAME = DI-2173-shd-detail-3.dgn	USER NAME = CEI_User	DESIGNED - RJD/BJB	REVISED -
		DRAWN - ARA	REVISED -
		CHECKED - M.J.F.	REVISED -
		DATE - 5/28/09	REVISED -

STATE OF ILLINOIS  
 DEPARTMENT OF TRANSPORTATION

DES PLAINES RIVER TRAIL IMPROVEMENTS  
 DETAILS

SCALE: NONE SHEET NO. 3 OF 4 SHEETS STA. TO STA.

F.A. RTE.	SECTION	COUNTY	TOTAL SHEETS	SHEET NO.
	08-00202-00-SW	COOK	118	38
FED. ROAD DIST. NO. ILLINOIS FED. AID PROJECT: CMM-9003(116)			CONTRACT NO. 63168	

63188