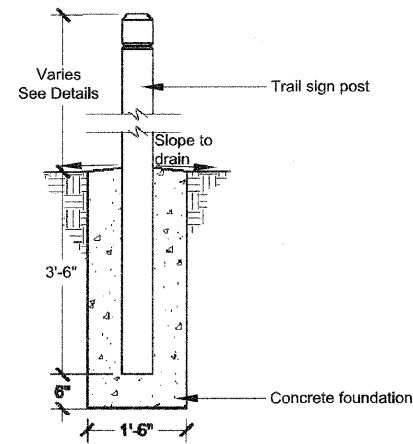
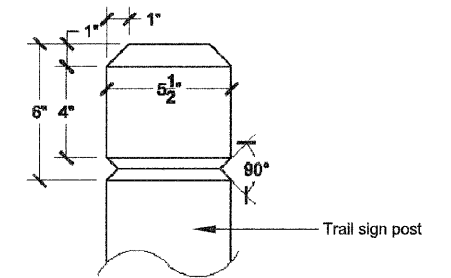


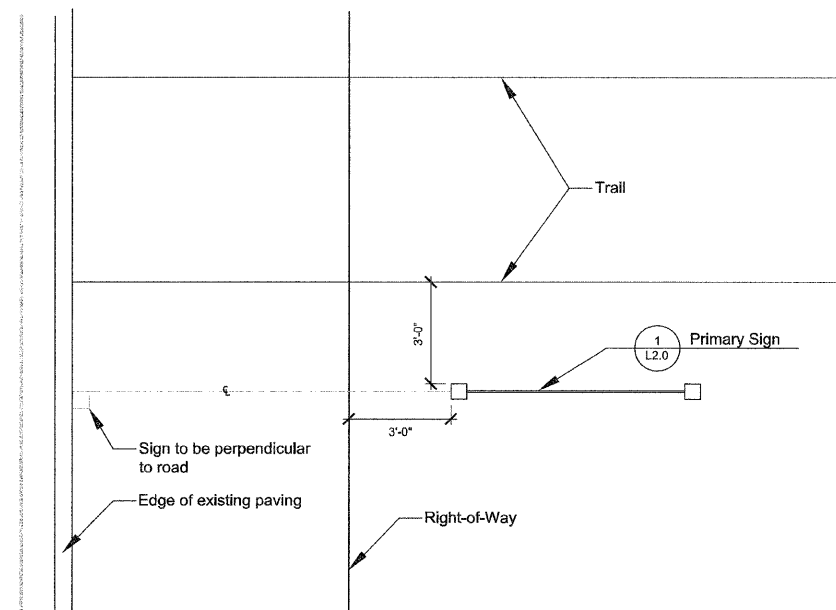
1 Primary Sign
 Scale: 1" = 1'-0"



3 Sign Footing
 Scale: 3" = 1'-0"

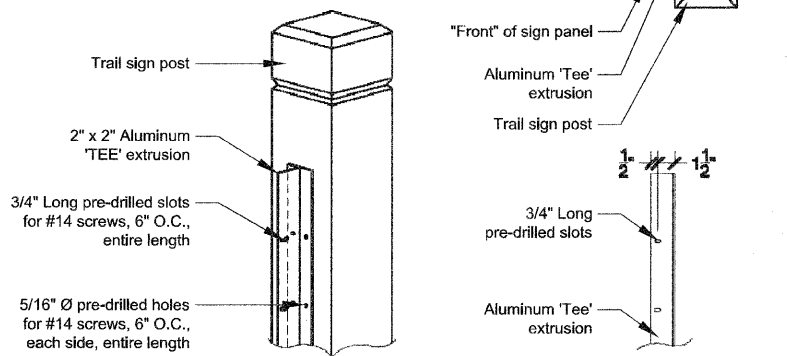


5 Sign Post Top
 Scale: 3" = 1'-0"



2 Primary Sign Placement Diagram
 Scale: 3/8" = 1'-0"

- Notes:
 1. Fasten tee to post with #14 x 1.5" six-lobe security screws, button head, type SMS, stainless steel and washer.
 2. Fasten sign panel to tee with #14 x 1" six-lobe security screws, button head, type M/S, stainless steel, one #14 washer and one #14 tamper-proof nut as manufactured by Guard-Nut Inc., series 75, plated steel.



4 Trail Post Aluminum 'Tee' Extrusion
 Scale: 3" = 1'-0"

FILE NAME = J:\Projects\1107\0713-CivilTech Engineering Inc\008-Des Plaines River Trail\1 Graphics\05-DD-CD\02-Details.dwg	DESIGNED - EFH DRAWN - CJW CHECKED - EFH DATE - 3/26/09	REVISED - REVISED - REVISED - REVISED -	STATE OF ILLINOIS DEPARTMENT OF TRANSPORTATION	DES PLAINES RIVER TRAIL IMPROVEMENTS L2.0 WAYFINDING & INFORMATIONAL SIGN DETAILS	F.A. RTE. SECTION SECTION	SECTION 08-03202-00SW	COUNTY COOK	TOTAL SHEETS 118	SHEET NO. 57	CONTRACT NO. 63188	FED. ROAD DIST. NO. ILLINOIS FED. AID PROJECT
-------------------------------------------------------------------------------------------------------------------------------------	------------------------------------------------------------------	--------------------------------------------------	---------------------------------------------------	--------------------------------------------------------------------------------------	------------------------------------	--------------------------	----------------	------------------------	--------------------	-----------------------	-----------------------------------------------