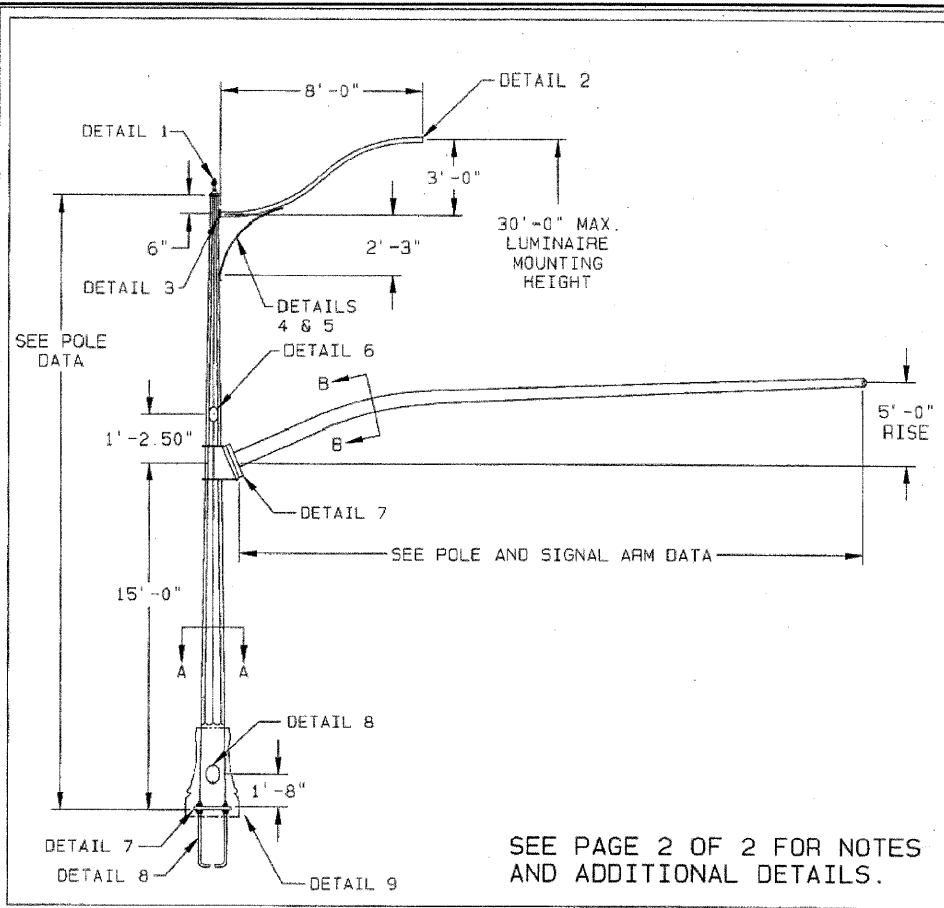
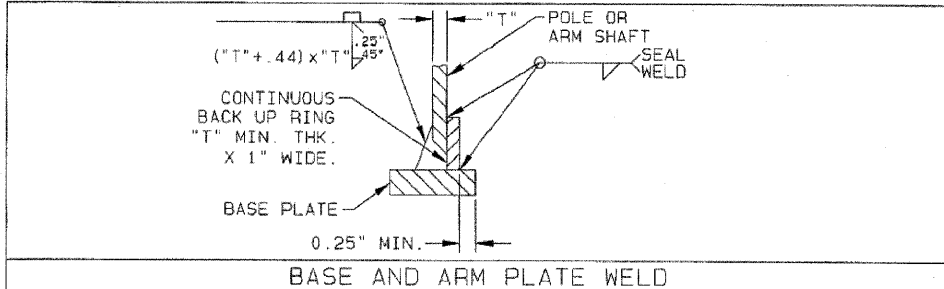


DATE	
BY	
PLAN	
SURVEYED	
PLOTTED	
NOTED	
NO.	

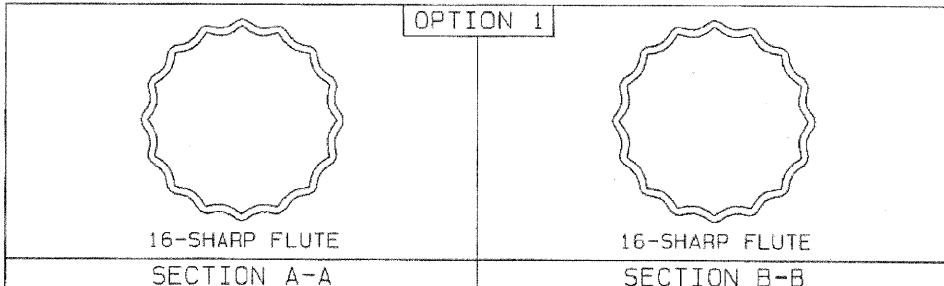
DATE	
BY	
PROFILE	
SURVEYED	
PLOTTED	
NOTED	
NO.	



SEE PAGE 2 OF 2 FOR NOTES AND ADDITIONAL DETAILS.

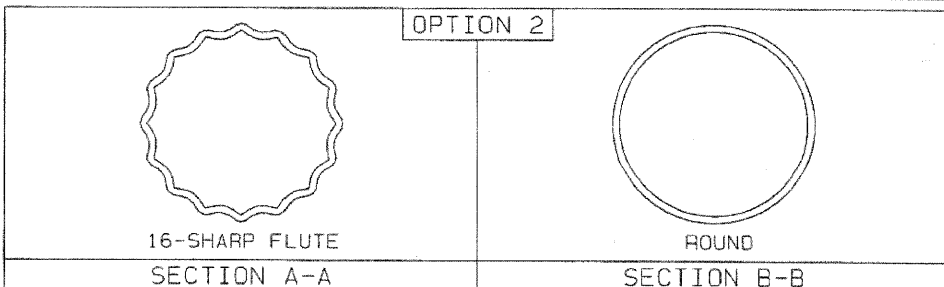


BASE AND ARM PLATE WELD



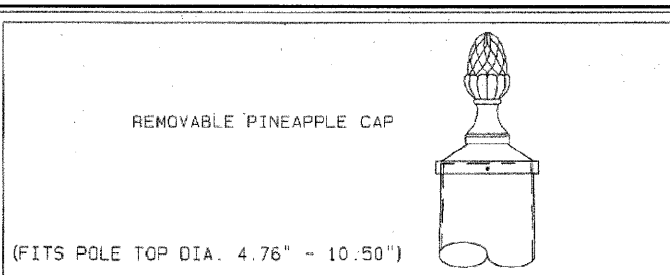
16-SHARP FLUTE SECTION A-A

16-SHARP FLUTE SECTION B-B

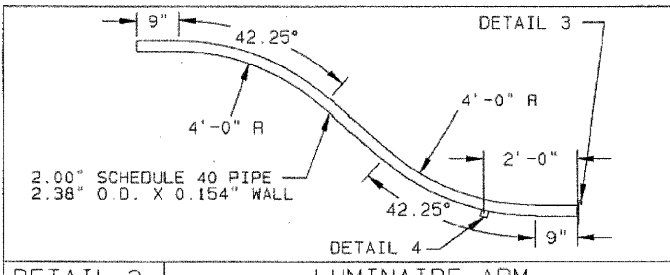


16-SHARP FLUTE SECTION A-A

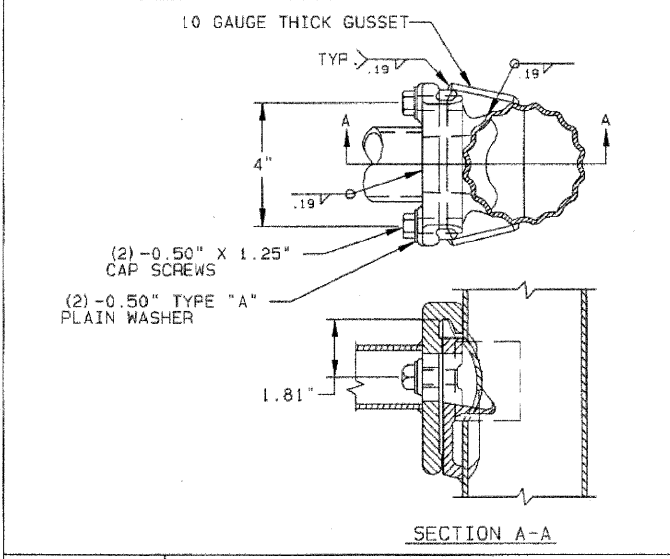
ROUND SECTION B-B



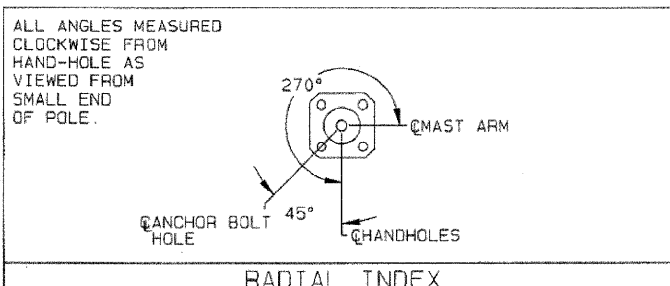
DETAIL 1 PINEAPPLE CAP ASSEMBLY



DETAIL 2 LUMINAIRE ARM



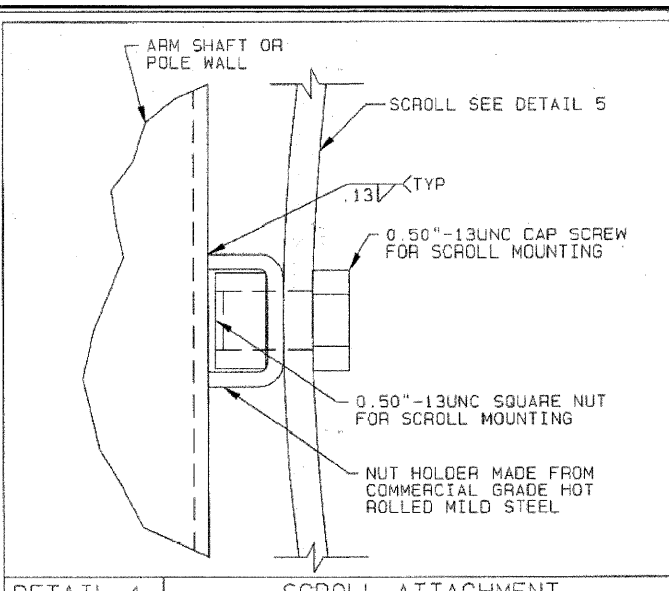
DETAIL 3 LUMINAIRE ARM ATTACHMENT



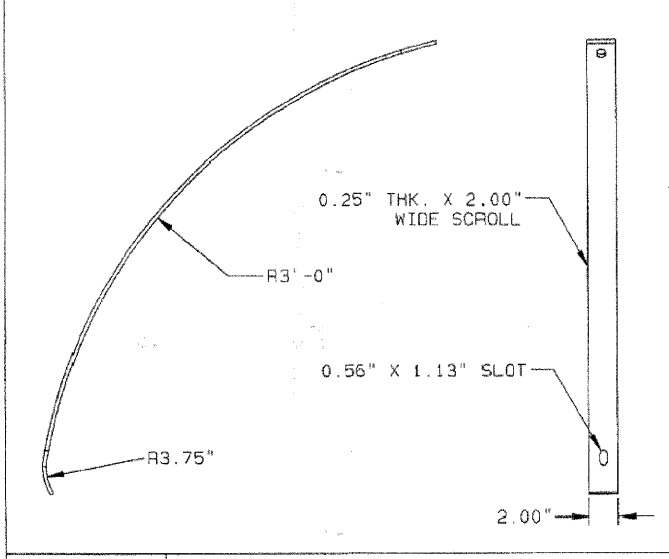
RADIAL INDEX

BASE COAT: HOT DIP GALVANIZE  
 TOP COAT: TGIC OR URETHANE POLYESTER POWDER  
 COLOR: BLACK  
 VALMONT SPEC: F283A

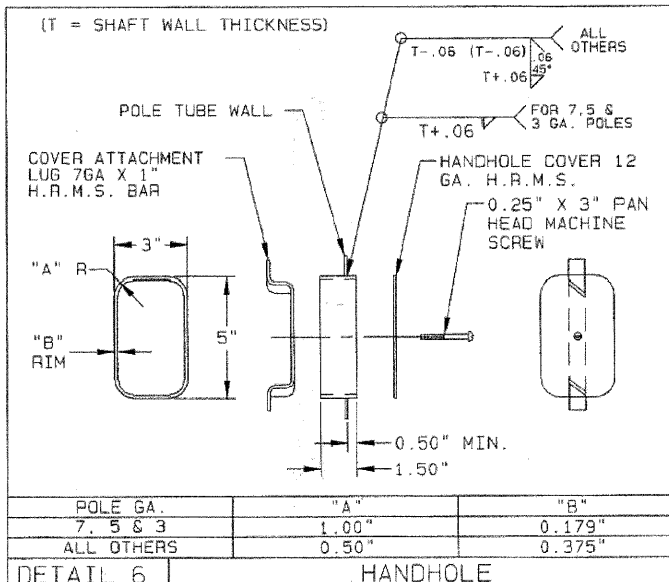
FINISH NOTE



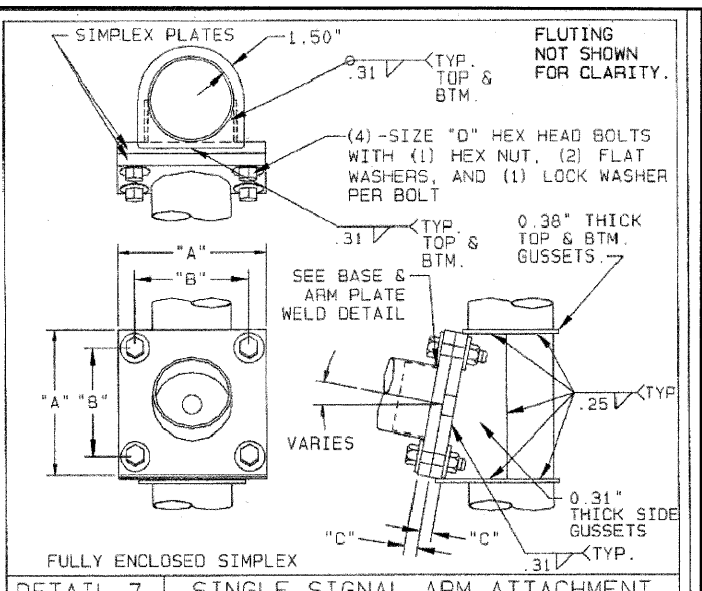
DETAIL 4 SCROLL ATTACHMENT



DETAIL 5 SCROLL ARM



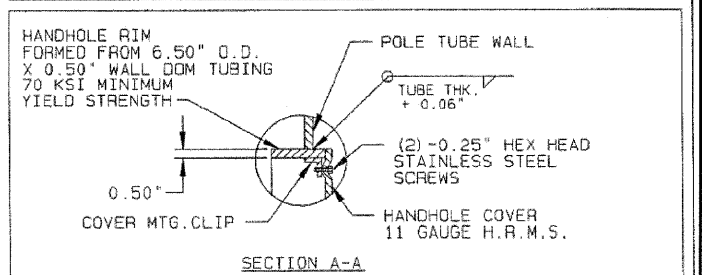
DETAIL 6 HANDHOLE



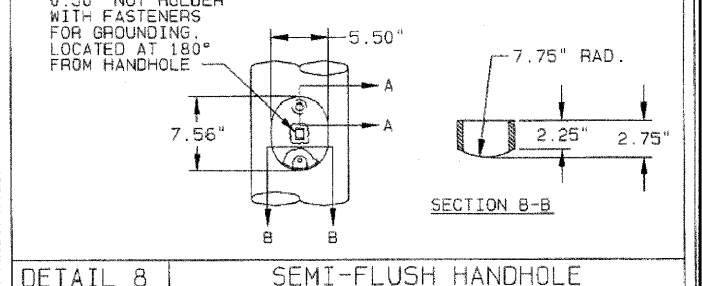
DETAIL 7 SINGLE SIGNAL ARM ATTACHMENT

SIGNAL ARM ATTACHMENT DATA

ARM SPAN (FT)	"A" (IN)	"B" (IN)	"C" (IN)	"D"
20.00	17.25	14.00	1.75	1.25" X 5.25"



SECTION A-A



DETAIL 8 SEMI-FLUSH HANDHOLE

REV	DATE	DESCRIPTION
BCM 09/18/07	BCM 09/20/07	
FILE NAME =	USER NAME = .USER.	DESIGNED -
...trans\fin.dwg\690_5_det02.dgn		DRAWN BAH
		CHECKED APS
		DATE -

SOLD TO:	SHIP TO:	JOB
P.O. #:	AGENT: LIGHTING SOLUTIONS	TITLE: TRAFFIC SIGNAL STRUCTURES
STATE OF ILLINOIS	DEPARTMENT OF TRANSPORTATION	

VALMONT INDUSTRIES, INC. RESERVES THE RIGHT TO INSTALL VARIOUS, ENGINEER APPROVED, MATERIAL HANGING ACCOMMODATIONS TO FACILITATE THE MANUFACTURING PROCESS.

SCALE: SHEET NO. OF SHEETS STA. TO STA.

valmont

Valley, NE 68064  
(402) 359-2201

ORDER NUMBER: 42203-07	PAGE NUMBER: 1 OF 2			
DRAWING NUMBER: IL4220307	REV			
F.A. RTE.	SECTION	COUNTY	TOTAL SHEETS	SHEET NO.
	08-00270-00-TL	KANE	44	40
CONTRACT NO. 63300				
FED. ROAD DIST. NO. ILLINOIS FED. AID PROJECT				