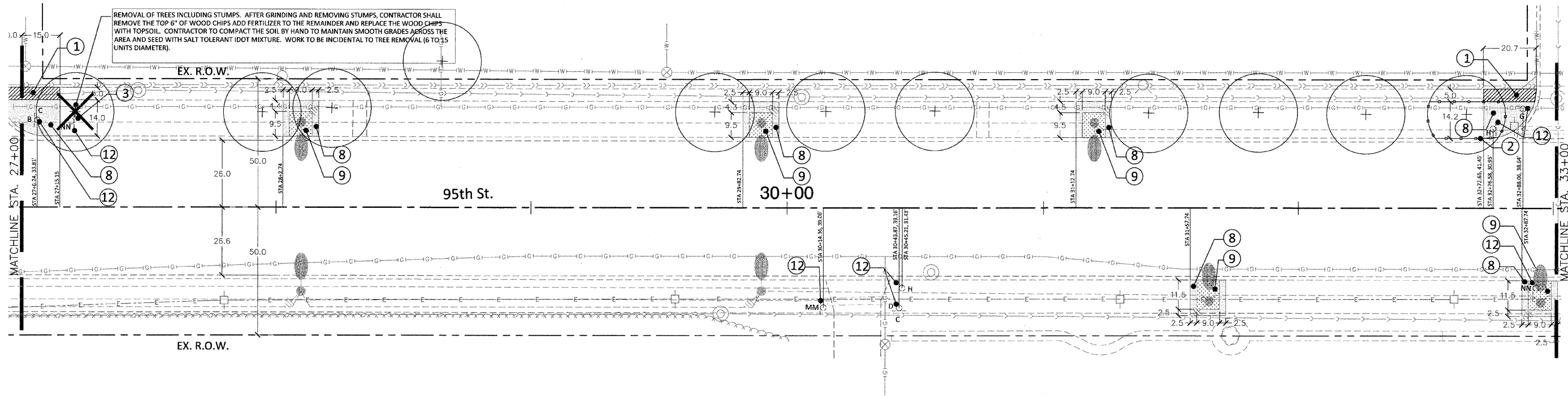
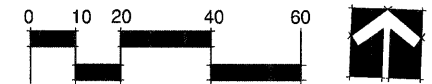


SECTION 2, TOWNSHIP 37, RANGE 12
SECTION 11, TOWNSHIP 37, RANGE 12



DEMOLITION PLAN NOTES:

1. SIDEWALK REMOVAL.
2. TREE PROTECTION AND PRESERVATION.
3. TREE REMOVAL.
4. BUS SHELTER REMOVE AND RELOCATE.
5. PAVEMENT REMOVAL.
6. CURB AND GUTTER REMOVAL.
7. TREE TO BE RELOCATED.
8. EARTH EXCAVATION.
9. SOD STRIPPING.
10. MANHOLE TO BE ADJUSTED.
11. VALVE BOX TO BE ADJUSTED.
12. STREET SIGN TO BE REMOVED.



* SITE SURVEY PROVIDED BY:
ROBINSON ENGINEERING, INC.
17000 South Park Avenue
South Holland, Illinois 60473
(708) 331-6700

* SEE ALSO DEMOLITION PLAN GENERAL NOTES
SHEET 3

LANDSCAPE LEGEND

- EXISTING SHADE TREE
- EXISTING EVERGREEN TREE
- TREE PROTECTION FENCING

STREET SIGN LEGEND

- *SEE SHEET 5 FOR EXISTING SIGN SCHEDULE
- J, EE SIGN ON FREE STANDING POLE
 - R, JJ SIGN MOUNTED ON TRAFFIC LIGHT POLE OR STREET LIGHT POLE

FILE NAME = pri_existing conditions - IDOT P09

PLANNING
RESOURCES INC.
822 West Liberty Drive
Itasca, Illinois 60143
PH: 630-440-2344

USER NAME =	DESIGNED — BCL	REVISED — 10/30/2009
PLOT SCALE = 1"= 20'	CHECKED — KLG	REVISED — 11/30/2009
PLOT DATE = 8/21/2009	DRAWN — BCL/RJA	REVISED —
	CHECKED — KLG/LMV	REVISED —

STATE OF ILLINOIS
DEPARTMENT OF TRANSPORTATION

EXISTING CONDITIONS/ REMOVAL PLAN

SCALE: 1"= 20' SHEET NO. 9 OF 62 SHEETS STA. 27+00 TO STA. 33+00

F.A.P. RTE.	SECTION	COUNTY	TOTAL SHEETS	SHEET NO.
29	09-00056-00-LS	COOK	62	9
CONTRACT NO. 63321				
FED. ROAD DIST. NO.	ILLINOIS	FED. AID PROJECT	ARA-9003(343)	