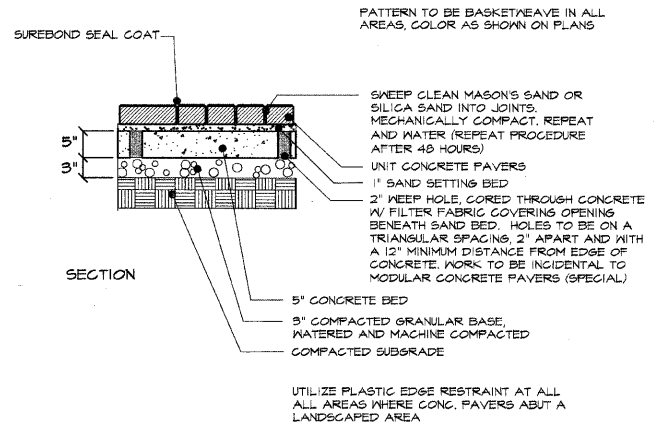
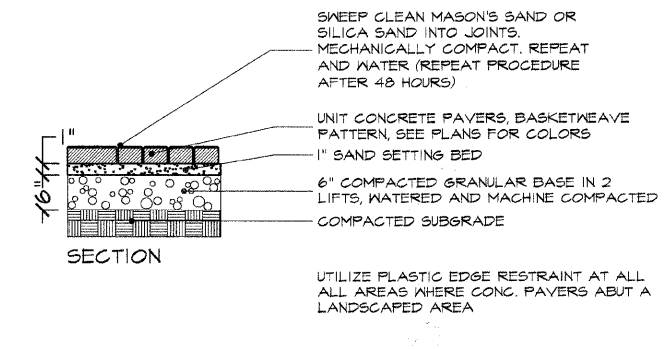


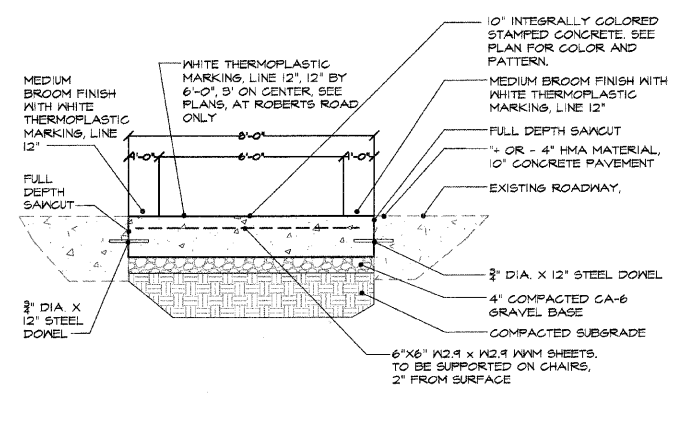
1 EXISTING TREE PROTECTION NOT TO SCALE



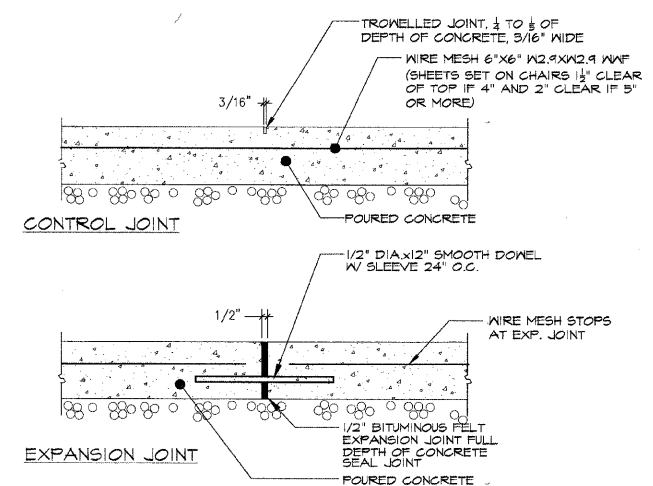
2 MODULAR CONCRETE PAVERS (SPECIAL) NOT TO SCALE



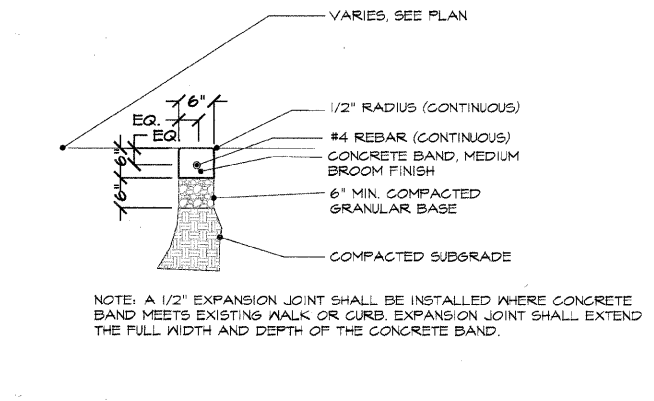
3 CONCRETE PAVERS NOT TO SCALE



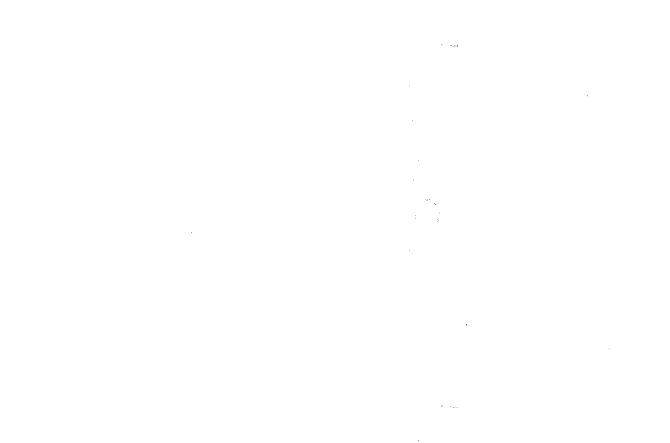
4 PORTLAND CEMENT CONCRETE SIDEWALK, 10" (SPECIAL) NOT TO SCALE



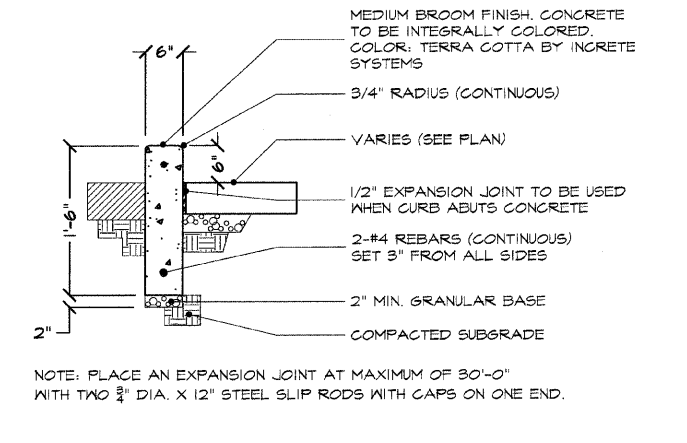
5 CONTROL/EXPANSION JOINT NOT TO SCALE



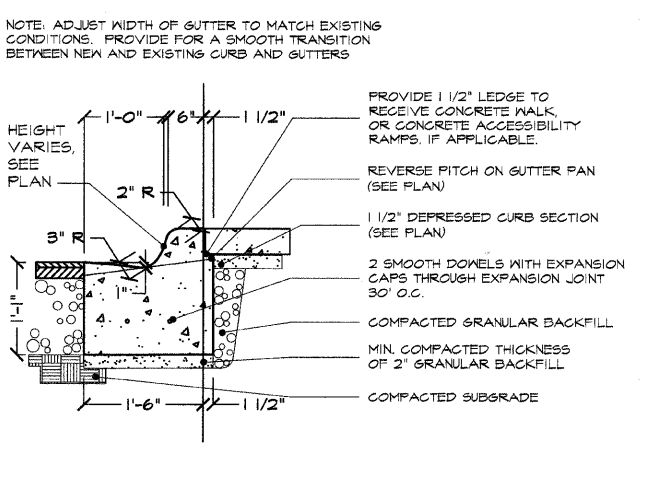
6 CONCRETE CURB (SPECIAL): 6\"/>



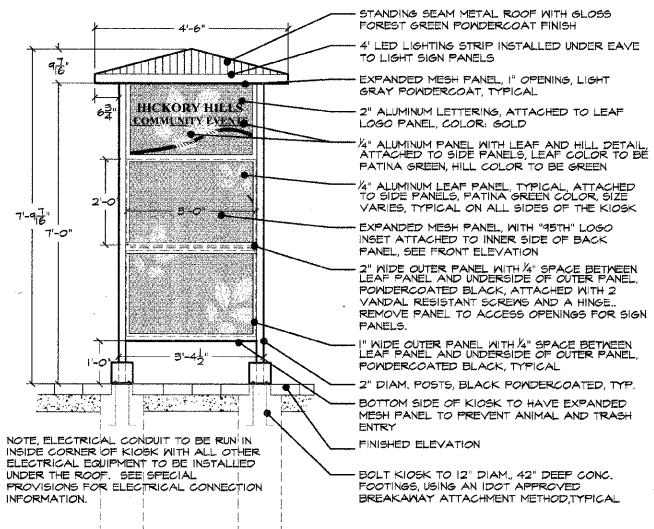
7 INTENTIONALLY OMITTED NOT TO SCALE



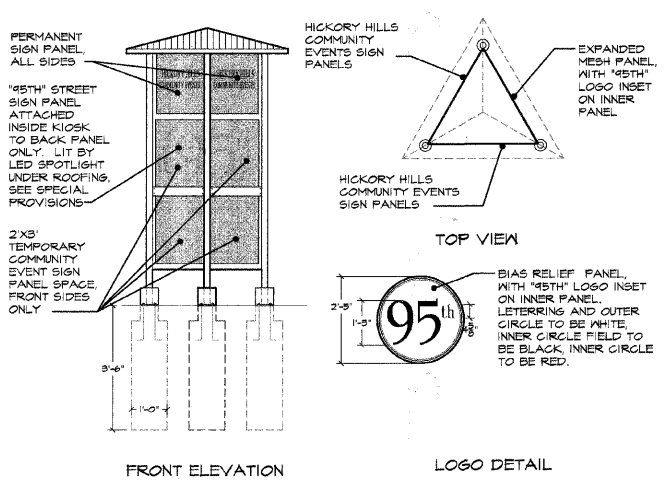
8 CURB WALL (SPECIAL) NOT TO SCALE



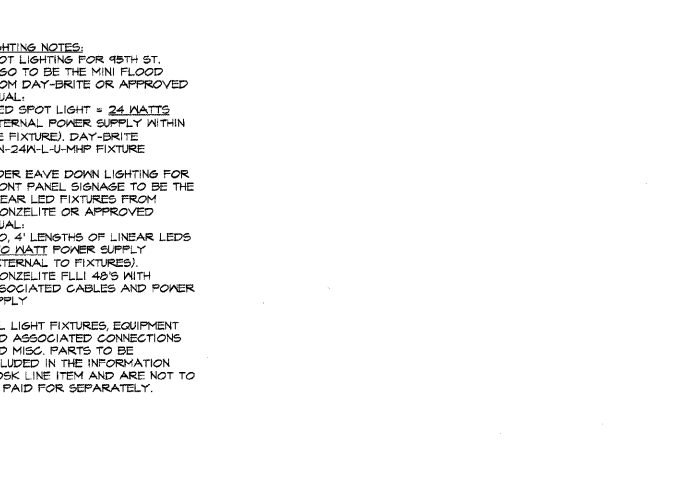
9 CURB AND GUTTER NOT TO SCALE



10 INFORMATION KIOSK DETAIL NOT TO SCALE



11 INFORMATION KIOSK DETAIL NOT TO SCALE



12 INTENTIONALLY OMITTED NOT TO SCALE

FILE NAME = pr_details - IDOT P50
 PLANNING RESOURCES INC.
 140 West Loop West
 P.O. Box 446, 5784
 Fort Worth, TX 76101-0446

USER NAME =	DESIGNED -- BCL	REVISED -- 10/30/2009
PLOT SCALE = N.T.S.	CHECKED -- KLG	REVISED -- 11/30/2009
PLOT DATE = 8/21/2009	DRAWN -- BCL/RA	REVISED -- 12/17/2009
	CHECKED -- KLG/LMW	REVISED --

STATE OF ILLINOIS
 DEPARTMENT OF TRANSPORTATION

CONSTRUCTION DETAILS			
F.A.P. RTE.	SECTION	COUNTY	TOTAL SHEETS
29	09-00056-00-LS	COOK	62
SHEET NO. 50 OF 62 SHEETS			
SCALE: N.T.S.	SHEET NO. 50 OF 62 SHEETS	STA.	TO STA.

F.A.P. RTE.	SECTION	COUNTY	TOTAL SHEETS	SHEET NO.
29	09-00056-00-LS	COOK	62	50
CONTRACT NO. 63321				
FED. ROAD DIST. NO. 1 ILLINOIS FED. AID PROJECT ARA-9033(343)				